

SCS PROJECT:  
VISIONEERING EI60 PARTITION WALL



Sheet List Table		
Sheet Number	Sheet Title	REV
	00 - SPECIFICATIONS	
0001	COVER SHEET	D
0002	PARTITION WALL ELEVATION	D
0003	PARTITION WALL DETAIL	D

No	DESCRIPTION	REQUIREMENT	RESPONSIBILITY
1	WORKS DONE BY OTHERS	ALL DETAILS PERTAINING TO WORK BY OTHERS IS AN ADVISEMENT ONLY AND IT IS THE RESPONSIBILITY OF THE SUPPLIER AND INSTALLER OF THE ITEM/S TO CONFIRM COMPLIANCE TO ITS SUITABILITY FOR THE PURPOSE AND TO CERTIFY ITS COMPLIANCE TO THE REQUIRED FRL TO THE SATISFACTION OF THE FE OR CERTIFIER.	BUILDER, ARCHITECT, OTHER TRADES
2	SHOP DRAWINGS	APPROVAL OF SHOP DRAWINGS (SIGNITURE AND DATE) IS REQUIRED TO BE RETURNED TO SMOKE CONTROL SYSTEMS BEFORE MANUFACTURE CAN COMMENCE.	BUILDER, ARCHITECT
3	DELIVERIES TO SITE	IF REQD, FORKLIFT TO BE MADE AVAILABLE.	BUILDER
4	VERTICAL MOVEMENT OF PRODUCT	IF REQD, CRANE SHALL BE AVAILABLE TO SMOKE CONTROL SYSTEMS AT AGREED TIME OF DELIVERY. IF THIS IS NOT AVAILABLE, THIS MAY INCUR EXTRA CHARGES.	BUILDER
5	STORAGE	SUFFICIENT CLEAR FLOOR SPACE TO BE MADE AVAILABLE IMMEDIATELY ADJACENT TO EACH INSTALLATION LOCATION.	BUILDER
6	ACCESS TO WORKFACE (INSTALLATION)	ADEQUATE WORKING AREA REQD., MIN 500mm FROM SYSTEM TO STRUCTURE IS IDEAL. SUBJECT TO SITE CONDITIONS.	BUILDER
7	STRUCTURAL OPENINGS	SUITABLY PREPARED STRUCTURAL OPENING, FREE OF OBSTRUCTIONS AND CAPABLE OF RECEIVING OUR STANDARD FIXING TYPE AND SPACING REQUIREMENTS MUST BE PROVIDED BY OTHERS AND READY FOR US PRIOR TO OUR ARRIVAL ON SITE OTHERWISE PRICE WILL VARY.	BUILDER
8	WALL PREPERATION	FLASHINGS AND ASSOCIATED WEATHERPROOFING BY OTHERS.	BUILDER
9	CERTIFICATON	WITNESS TESTING, FINAL COMMISSIONING & HANDOVER	SMOKE CONTROL SYSTEMS

- THIS DRAWING IS COPYRIGHT AND THE PROPERTY OF THE AUTHOR, AND MUST NOT BE RETAINED, COPIED OR USED WITHOUT THE AUTHORITY OF SMOKE CONTROL SYSTEMS PTY. LTD.
- DO NOT SCALE FROM DRAWING. USE PROVIDED DIMENSIONS ONLY.
- ALL DISCREPANCIES MUST BE BROUGHT TO THE ATTENTION OF AUTHOR.
- SMOKE CONTROL SYSTEMS DO NOT TAKE RESPONSIBILITY OF MEASUREMENTS PROVIDED BY OTHERS.

CHK	REASON	DATE
-	FOR APPROVAL	14/07/2021
B JR	FOR APPROVAL	07/10/2021
C JR	FOR APPROVAL	04/11/2021
D AH	FOR APPROVAL	16/06/2022

**DISCLAIMER**

INFORMATION GIVEN IN SMOKECONTROL.COM.AU AND PUBLICATIONS FOR DOWNLOAD ARE GIVEN TO THE BEST OF OUR KNOWLEDGE AND IN GOOD FAITH. SMOKE CONTROL IS NOT RESPONSIBLE IF RECIPIENTS OF TEST REPORTS, ASSESSMENTS OR LITERATURE MISINTERPRET THE CONTENTS AND WRONGLY USE PRODUCTS BASED ON THOSE MISINTERPRETATIONS. NO LIABILITY IS ACCEPTED FOR ERROR OMISSIONS IN THIS WEB SITE OR OUR DOCUMENTS. IN THE INTERESTS OF IMPROVEMENTS AND CONTINUED DEVELOPMENT SMOKE CONTROL RESERVES THE RIGHT TO CHANGE SPECIFICATION WITHOUT NOTICE.

**INFORMATION COPY ONLY**



WWW.SMOKECONTROL.COM.AU  
WWW.SMOKECONTROL.CO.NZ  
WWW.SMOKECONTROL.COM  
AUSTRALIAN HEADOFFICE PHONE: 1300 665 471  
NEW ZEALAND PHONE: 09 300 1980  
INFO@SMOKECONTROL.COM.AU INFO@SMOKECONTROL.CO.NZ

PROJECT  
VISIONEERING EI60 PARTITION WALL

CLIENT

TITLE  
COVER SHEET

SUB SET (CATEGORY)  
**00 - SPECIFICATIONS**

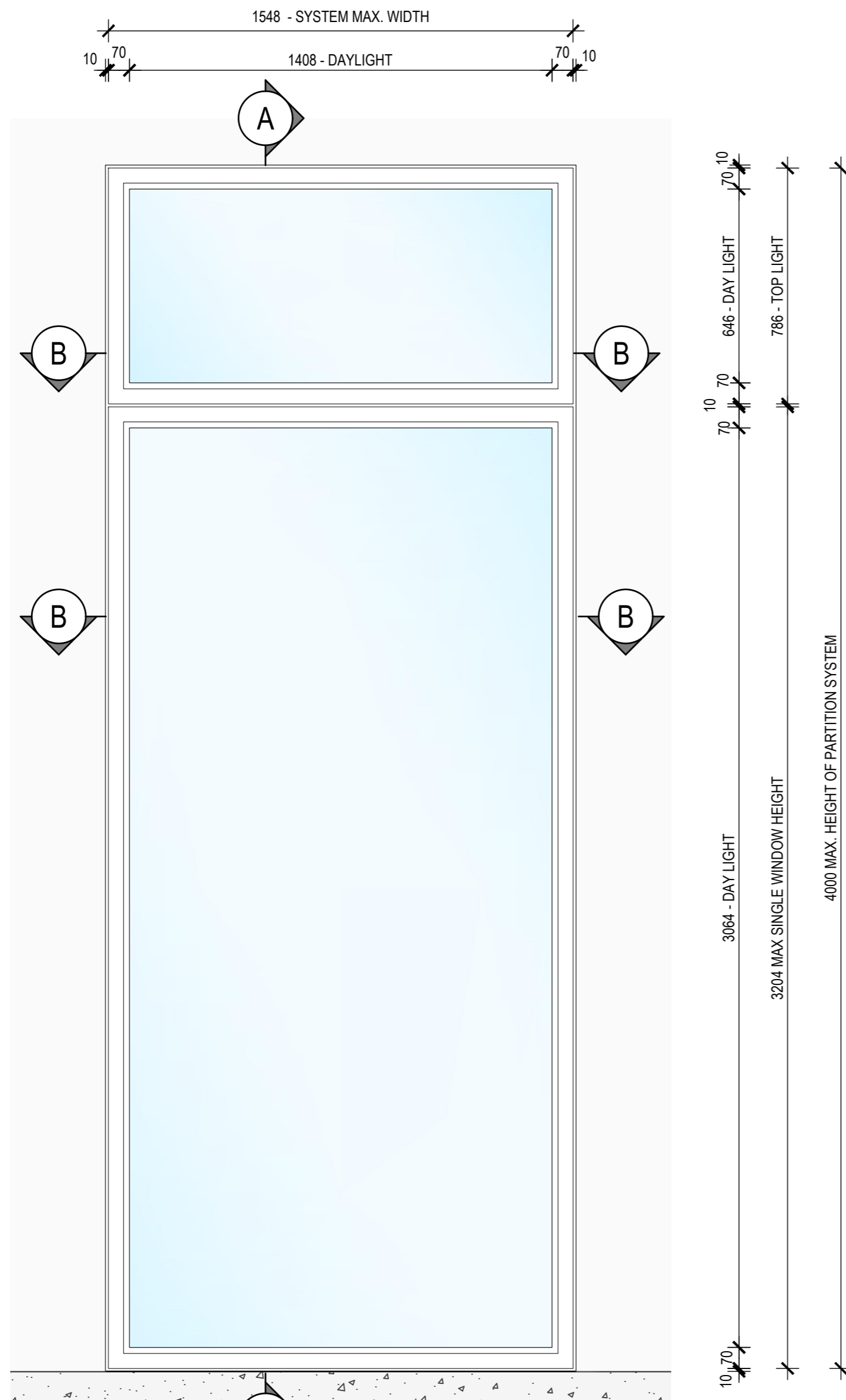
DRAWING NUMBER	REV
<b>SCS- 0001</b>	D

DRAWN BY	ISSUE STATUS:
FM	INFORMATION ONLY

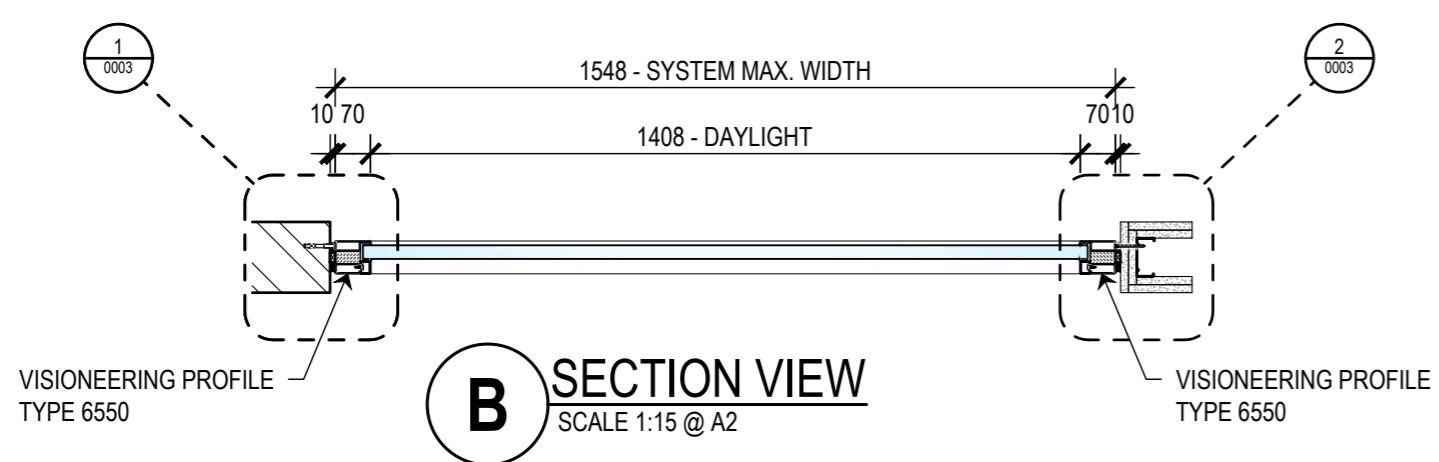
START DATE	SCALE	@A2
14/07/2021	AS SHOWN	

SYSTEM	COMPONENT	MATERIALS	FRL	COLOUR/FINISH
PARTITION WALL	FRAME	GALVANISED STEEL	-/60/60 AS1530.4	FRAME
	BEAD	GALVANISED STEEL		BEAD
	GLASS	27MM INSULATED (INTERNAL) 47MM INSULATED (EXTERNAL)		GLASS
				DULUX DURALLOY COLOUR TBA WILL COME IN RAW FINISH IF COLOUR IS NOT PROVIDED BY CLIENT
				CLEAR

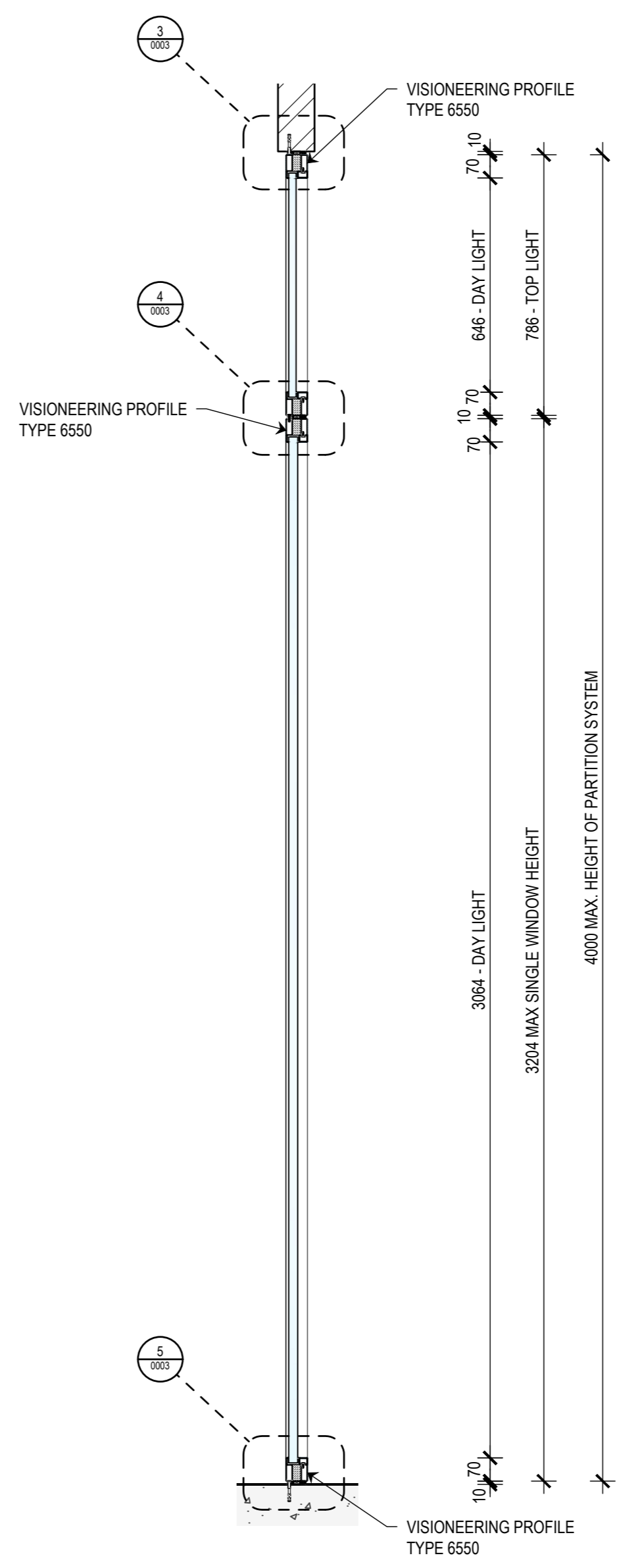
**PRODUCT SPECIFICATIONS**



**1** FRONT ELEVATION - VIEW FROM OUTSIDE  
PARTITION WALL WITH TOPLIGHT  
SCALE 1:15 @ A2



**B** SECTION VIEW  
SCALE 1:15 @ A2



**A** SECTION VIEW  
SCALE 1:15 @ A2

THIS DRAWING IS COPYRIGHT AND THE PROPERTY OF THE AUTHOR, AND MUST NOT BE RETAINED, COPIED OR USED WITHOUT THE AUTHORITY OF SMOKE CONTROL SYSTEMS PTY. LTD.  
DO NOT SCALE FROM DRAWING. USE PROVIDED DIMENSIONS ONLY.  
ALL DISCREPANCIES MUST BE BROUGHT TO THE ATTENTION OF AUTHOR.  
SMOKE CONTROL SYSTEMS DO NOT TAKE RESPONSIBILITY OF MEASUREMENTS PROVIDED BY OTHERS.

CHK	REASON	DATE
-	FOR APPROVAL	14/07/2021
B	JR FOR APPROVAL	07/10/2021
C	JR FOR APPROVAL	04/11/2021
D	AH FOR APPROVAL	16/06/2022

**DISCLAIMER**

INFORMATION GIVEN IN SMOKECONTROL.COM.AU AND PUBLICATIONS FOR DOWNLOAD ARE GIVEN TO THE BEST OF OUR KNOWLEDGE AND IN GOOD FAITH. SMOKE CONTROL IS NOT RESPONSIBLE IF RECIPIENTS OF TEST REPORTS, ASSESSMENTS OR LITERATURE MISINTERPRET THE CONTENTS AND WRONGLY USE PRODUCTS BASED ON THOSE MISINTERPRETATIONS. NO LIABILITY IS ACCEPTED FOR ERROR OMISSIONS IN THIS WEB SITE OR OUR DOCUMENTS. IN THE INTERESTS OF IMPROVEMENTS AND CONTINUED DEVELOPMENT SMOKE CONTROL RESERVES THE RIGHT TO CHANGE SPECIFICATION WITHOUT NOTICE.

**INFORMATION COPY ONLY**



WWW.SMOKECONTROL.COM.AU  
WWW.SMOKECONTROL.CO.NZ  
WWW.SMOKECONTROL.COM  
AUSTRALIAN HEADOFFICE PHONE: 1300 665 471  
NEW ZEALAND PHONE: 09 300 1980  
INFO@SMOKECONTROL.COM.AU INFO@SMOKECONTROL.CO.NZ

PROJECT  
VISIONEERING EI60 PARTITION WALL

CLIENT

TITLE  
PARTITION WALL ELEVATION

SUB SET (CATEGORY)  
**00 - SPECIFICATIONS**

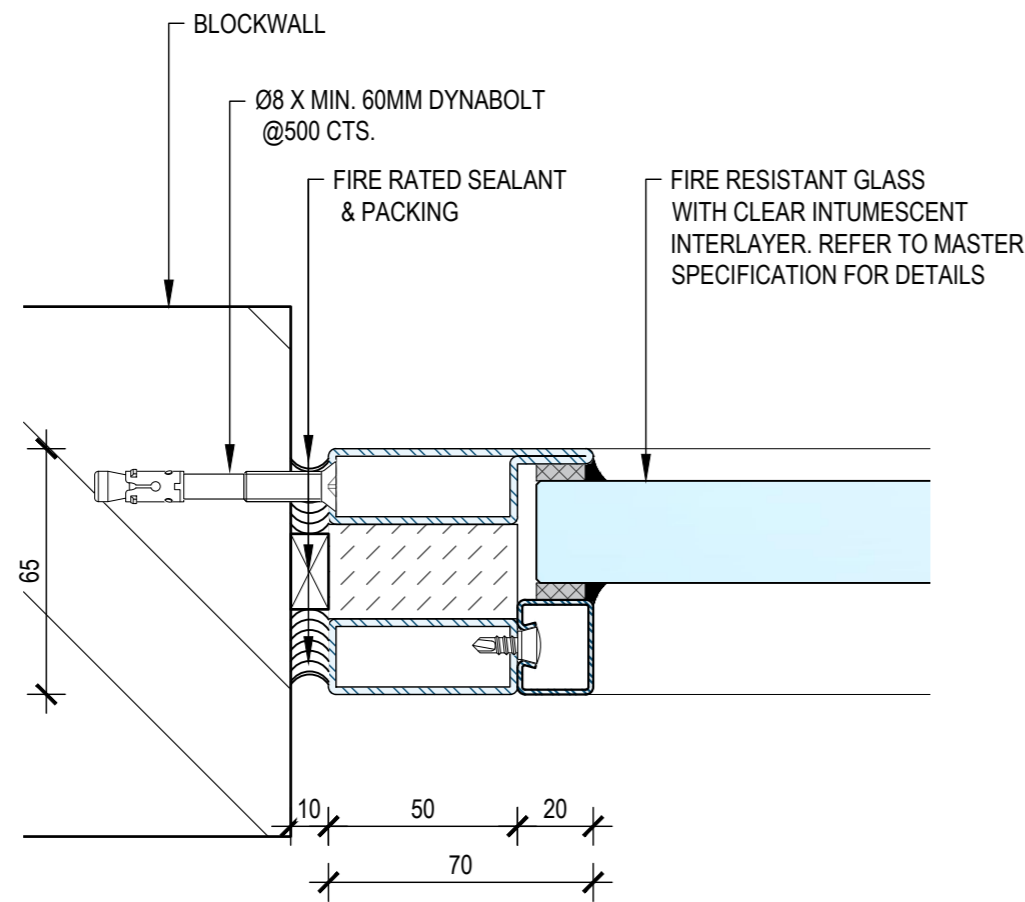
DRAWING NUMBER  
**SCS-0002**

ISSUE STATUS:  
INFORMATION ONLY

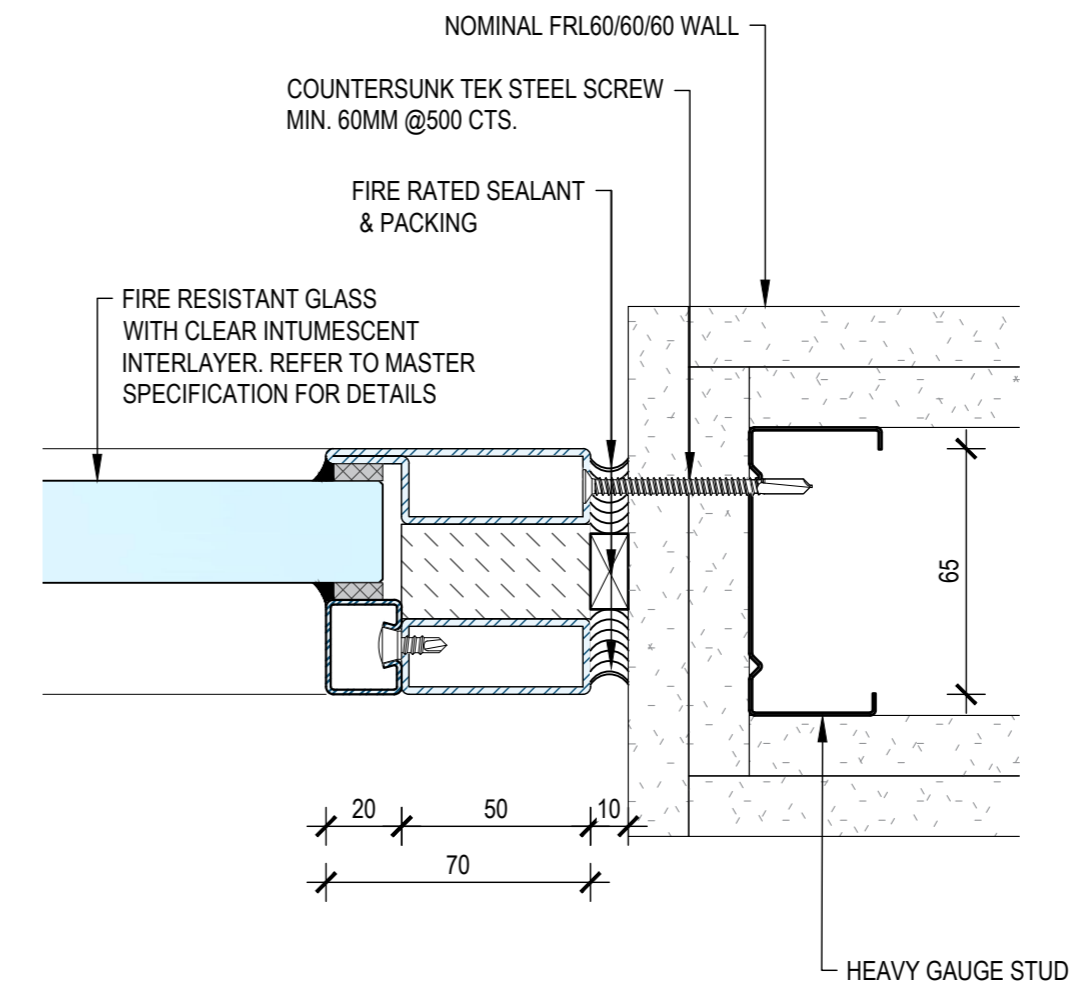
SCALE  
AS SHOWN @A2

FILE: EI6080 PARTITION WALL.dwg -- PLOTTED ON 16/06/2022 BY FARZANA MAHMUD

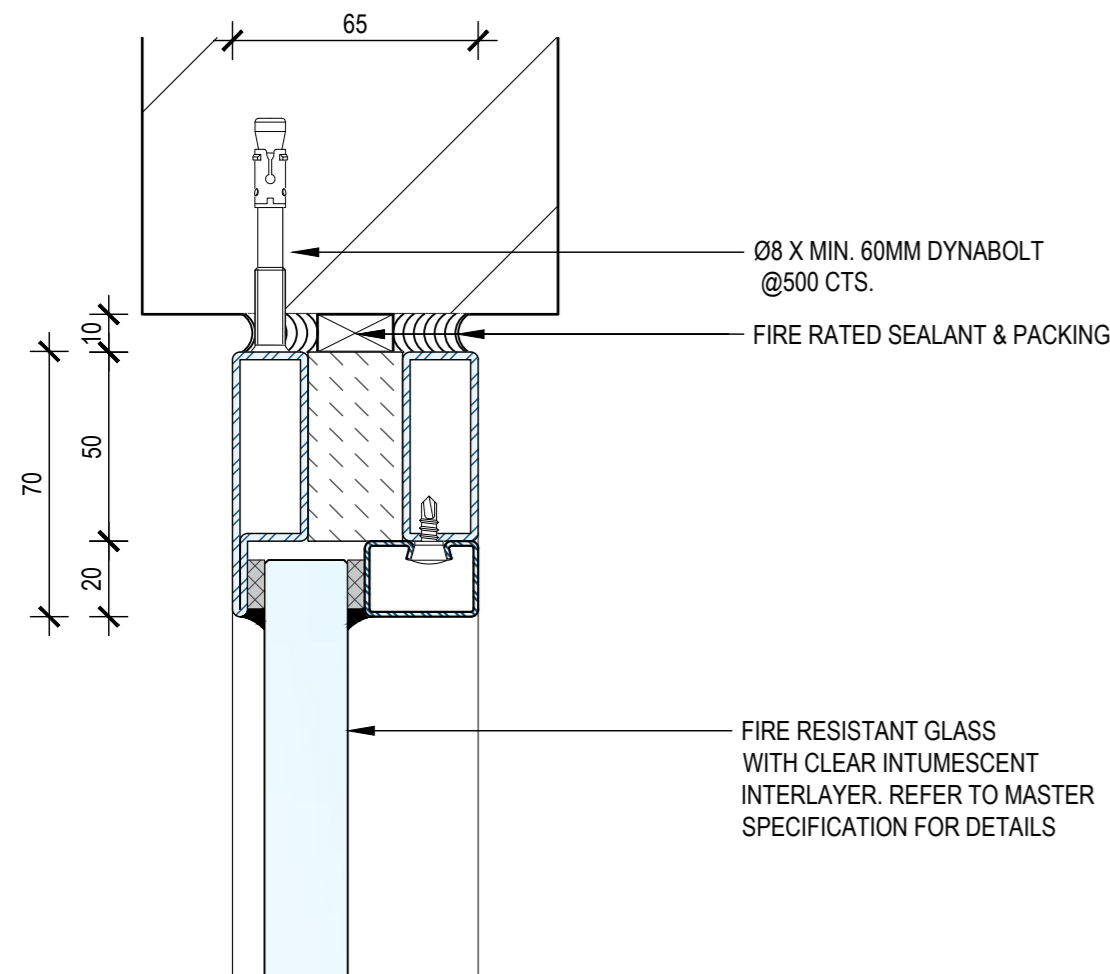
<<< 594mm



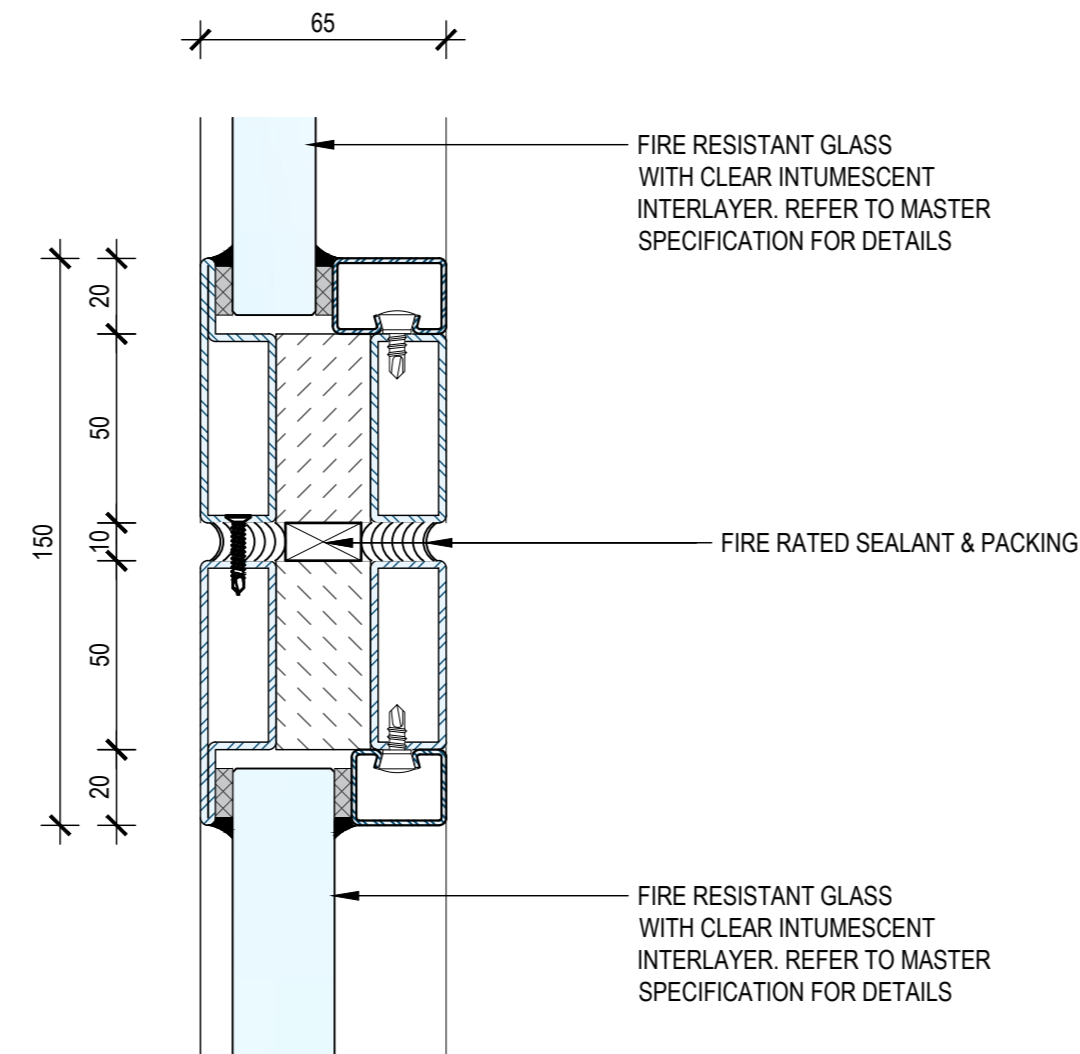
**1** JAMB DETAIL - CONCRETE FIXING  
SCALE 1:2 @ A2



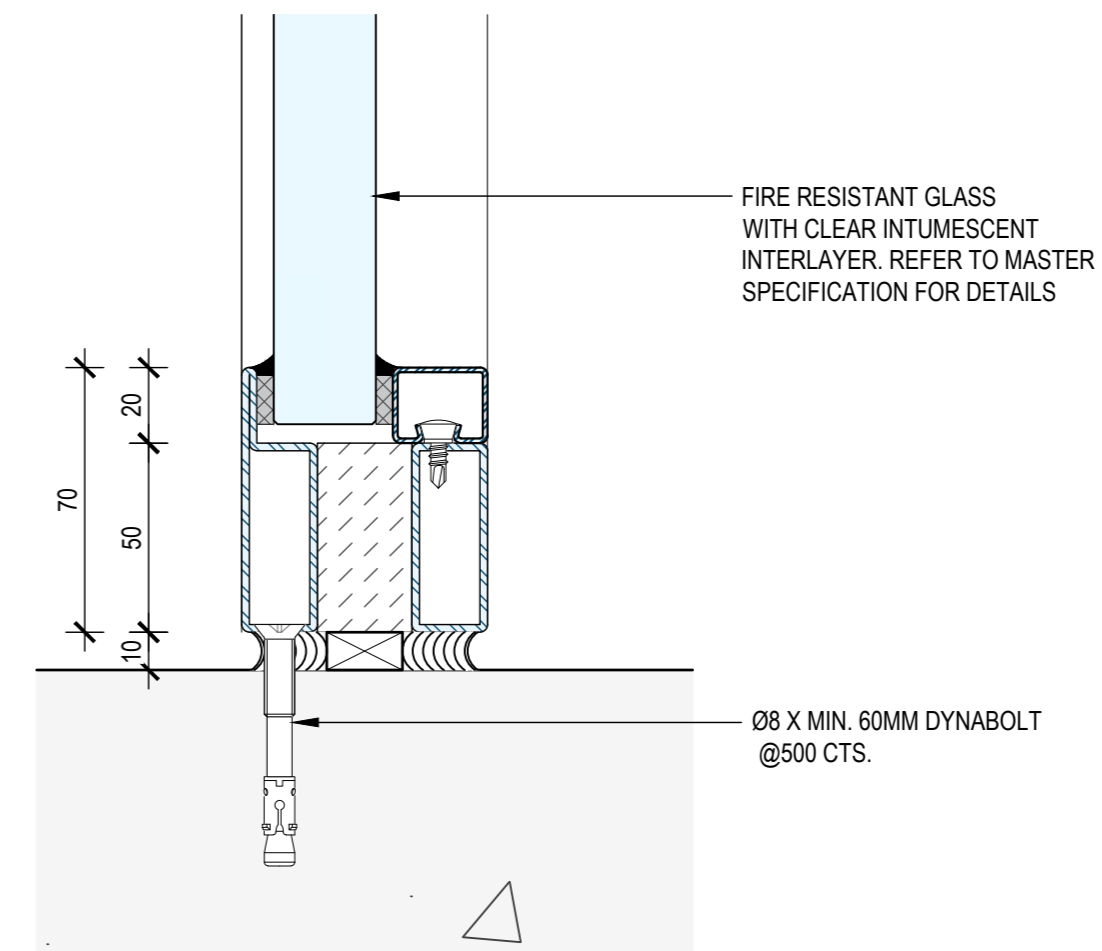
**2** JAMB DETAIL - CLAD STUD FIXING  
SCALE 1:2 @ A2



**3** HEAD DETAIL  
SCALE 1:2 @ A2



**4** TRANSOM DETAIL  
SCALE 1:2 @ A2



**5** BOTTOM DETAIL  
SCALE 1:2 @ A2

THIS DRAWING IS COPYRIGHT AND THE PROPERTY OF THE AUTHOR, AND MUST NOT BE RETAINED, COPIED OR USED WITHOUT THE AUTHORITY OF SMOKE CONTROL SYSTEMS PTY. LTD.  
DO NOT SCALE FROM DRAWING. USE PROVIDED DIMENSIONS ONLY.  
ALL DISCREPANCIES MUST BE BROUGHT TO THE ATTENTION OF AUTHOR.  
SMOKE CONTROL SYSTEMS DO NOT TAKE RESPONSIBILITY OF MEASUREMENTS PROVIDED BY OTHERS.

CHK	REASON	DATE
-	FOR APPROVAL	14/07/2021
B	JR FOR APPROVAL	07/10/2021
C	JR FOR APPROVAL	04/11/2021
D	AH FOR APPROVAL	16/06/2022

**DISCLAIMER**

INFORMATION GIVEN IN SMOKECONTROL.COM.AU AND PUBLICATIONS FOR DOWNLOAD ARE GIVEN TO THE BEST OF OUR KNOWLEDGE AND IN GOOD FAITH. SMOKE CONTROL IS NOT RESPONSIBLE IF RECIPIENTS OF TEST REPORTS, ASSESSMENTS OR LITERATURE MISINTERPRET THE CONTENTS AND WRONGLY USE PRODUCTS BASED ON THOSE MISINTERPRETATIONS. NO LIABILITY IS ACCEPTED FOR ERROR OMISSIONS IN THIS WEB SITE OR OUR DOCUMENTS. IN THE INTERESTS OF IMPROVEMENTS AND CONTINUED DEVELOPMENT SMOKE CONTROL RESERVES THE RIGHT TO CHANGE SPECIFICATION WITHOUT NOTICE.

**INFORMATION COPY ONLY**



WWW.SMOKECONTROL.COM.AU  
WWW.SMOKECONTROL.CO.NZ  
WWW.SMOKECONTROL.COM  
AUSTRALIAN HEADOFFICE PHONE: 1300 665 471  
NEW ZEALAND PHONE: 09 300 1980  
INFO@SMOKECONTROL.COM.AU INFO@SMOKECONTROL.CO.NZ

PROJECT  
VISIONEERING EI60 PARTITION WALL

CLIENT

TITLE  
PARTITION WALL DETAIL

SUB SET (CATEGORY)  
00 - SPECIFICATIONS

DRAWING NUMBER  
**SCS- 0003**

ISSUE STATUS:  
INFORMATION ONLY

SCALE  
AS SHOWN @A2

FILE: EI6080 PARTITION WALL.dwg -- PLOTTED ON 16/06/2022 BY FARZANA MAHMUD

<<< 594mm