

SCS PROJECT:  
FYREHALT FIRE CURTAIN



No	DESCRIPTION	REQUIREMENT	RESPONSIBILITY
1	WORKS DONE BY OTHERS	ALL DETAILS PERTAINING TO WORK BY OTHERS IS AN ADVISEMENT ONLY AND IT IS THE RESPONSIBILITY OF THE SUPPLIER AND INSTALLER OF THE ITEM/S TO CONFIRM COMPLIANCE TO ITS SUITABILITY FOR THE PURPOSE AND TO CERTIFY ITS COMPLIANCE TO THE REQUIRED FRL TO THE SATISFACTION OF THE FE OR CERTIFIER.	BUILDER, ARCHITECT, OTHER TRADES
2	SHOP DRAWINGS	APPROVAL OF SHOP DRAWINGS (SIGNATURE AND DATE) IS REQUIRED TO BE RETURNED TO SMOKE CONTROL SYSTEMS BEFORE MANUFACTURE CAN COMMENCE.	BUILDER, ARCHITECT
3	DELIVERIES TO SITE	IF REQD, FORKLIFT TO BE MADE AVAILABLE.	BUILDER
4	VERTICAL MOVEMENT OF PRODUCT	IF REQD, CRANE SHALL BE AVAILABLE TO SMOKE CONTROL SYSTEMS AT AGREED TIME OF DELIVERY. IF THIS IS NOT AVAILABLE, THIS MAY INCUR EXTRA CHARGES.	BUILDER
5	STORAGE	SUFFICIENT CLEAR FLOOR SPACE TO BE MADE AVAILABLE IMMEDIATELY ADJACENT TO EACH INSTALLATION LOCATION.	BUILDER
6	ACCESS TO WORKFACE (INSTALLATION)	REASONABLY ADEQUATE WORKING AREA REQD., MIN 500mm FROM SYSTEM TO STRUCTURE IS IDEAL. SUBJECT TO SITE CONDITIONS.	BUILDER
7	POSSIBLE OBSTRUCTIONS (WHERE PRESENT)	THERE MUST NOT BE ANYTHING INTERFERING WITH THE OPERATION OF CURTAIN IN ANY WAY. MIN. 100mm FROM SYSTEM TO ANY POSSIBLE OBSTRUCTION TO DROP LINE OF BOTTOM BAR IS IDEAL.	BUILDER
8	ACCESS PANELS (INSTALLATION WITHIN CEILING CAVITY)	450X450 NOM. ACCESS PANELS TO BE PROVIDED AT THE NOMINATED LOCATION OF CURTAIN CONTROLLER. MAY NOT BE REQD. WHERE REMOVABLE GRID CEILING ALLOWS FOR CLEAR ACCESS TO CURTAIN CONTROLLERS.	BUILDER, CEILING CONTRACTOR
9	POWER REQUIREMENTS	240 VOLT 10 AMP GPO TO BE LOCATED NO MORE THAN 1m AWAY FROM NOMINATED LOCATION OF CURTAIN CONTROLLERS.	BUILDER, ELECTRICAL
10	ALARM SIGNAL, ACTIVATION	0 VOLT NORMALLY CLOSED CONTACT (OPEN ON ALARM) TO BE PROVIDED WITHIN 1 METRE OF CURTAIN CONTROLLER.	BUILDER, ELECTRICAL, FIRE
11	PRESSURISATION, EXHAUST SYSTEMS	<b>IMPORTANT:</b> BALANCING TO CONSIDER AFFECTS OF CURTAINS 20 PA MAX. PRESSURE DIFFERENTIAL STRONGLY RECOMMENDED.	BULDER, MECHANICAL SERVICES
12	TUNING	ALL SCAFFOLDING & OTHER TRADES TO BE CLEAR 2 DAYS PRIOR TO TUNING & COMMISSIONING.	BUILDER
13	COMMISSIONING STAGE 1	PRACTICAL COMPLETION TESTS: PERMANENT POWER & ALARMS CONNECTED FOR DRY RUN PRIOR TO CSC. CURTAINS MUST BE ISOLATED DURING INDIVIDUAL COMMISSIONING OF OTHER ESSENTIAL SERVICES. <i>(PRODUCT LOCKED IN OPEN POSITION AFTER TESTING)</i>	SMOKE CONTROL SYSTEMS & BUILDER
14	COMMISSIONING STAGE 2	COORDINATED SERVICES COMMISSIONING (CSC)	SMOKE CONTROL SYSTEMS
15	COMMISSIONING STAGE 3	WITNESS TESTING, FINAL COMMISSIONING & HANDOVER	SMOKE CONTROL SYSTEMS

DRAWING INDEX		
SHEET	DESCRIPTION	REV
00 - SPECIFICATIONS		
0001	COVER SHEET	C
01 - FIRE CURTAINS		
0101	FYREHALT FIRE CURTAIN - INSTALLED WITHIN OPENING	B
0102	FYREHALT FIRE CURTAIN - INSTALLED OVER OPENING	B
0103	FYREHALT FIRE CURTAIN - INSTALLED OVER LIFT	B
0104	FYREHALT FIRE CURTAIN - FUSIBLE LINK	B
0105	FYREHALT FIRE CURTAIN - INSTALLED AT CORNER	B
02 - DETAILS		
0201	HEAD BOX INSTALLATION TYPES	C
0202	SIDE GUIDE INSTALLATION TYPES	B
0203	HEAD BOX AND SIDE GUIDE REBATE DETAIL	B

THIS DRAWING IS COPYRIGHT AND THE PROPERTY OF THE AUTHOR, AND MUST NOT BE RETAINED, COPIED OR USED WITHOUT THE AUTHORITY OF SMOKE CONTROL SYSTEMS PTY. LTD.  
DO NOT SCALE FROM DRAWING. USE PROVIDED DIMENSIONS ONLY.  
ALL DISCREPANCIES MUST BE BROUGHT TO THE ATTENTION OF AUTHOR.  
SMOKE CONTROL SYSTEMS DO NOT TAKE RESPONSIBILITY OF MEASUREMENTS PROVIDED BY OTHERS.

CHK	REASON	DATE
- AC	RELEASED	04/09/2020
B BK	RELEASED	27/09/2022
C BK	RELEASED	04/10/2022

**DISCLAIMER**  
INFORMATION GIVEN IN SMOKECONTROL.COM.AU AND PUBLICATIONS FOR DOWNLOAD ARE GIVEN TO THE BEST OF OUR KNOWLEDGE AND IN GOOD FAITH. SMOKE CONTROL IS NOT RESPONSIBLE IF RECIPIENTS OF TEST REPORTS, ASSESSMENTS OR LITERATURE MISINTERPRET THE CONTENTS AND WRONGLY USE PRODUCTS BASED ON THOSE MISINTERPRETATIONS. NO LIABILITY IS ACCEPTED FOR ERROR OMISSIONS IN THIS WEB SITE OR OUR DOCUMENTS. IN THE INTERESTS OF IMPROVEMENTS AND CONTINUED DEVELOPMENT SMOKE CONTROL RESERVES THE RIGHT TO CHANGE SPECIFICATION WITHOUT NOTICE.

**INFORMATION COPY ONLY**

WWW.SMOKECONTROL.COM.AU  
WWW.SMOKECONTROL.CO.NZ  
WWW.SMOKECONTROL.COM  
AUSTRALIAN HEADOFFICE PHONE: 1300 665 471  
NEW ZEALAND PHONE: 09 300 1980  
INFO@SMOKECONTROL.COM.AU INFO@SMOKECONTROL.CO.NZ

PROJECT  
SCS-FH  
FYREHALT FIRE CURTAIN

CLIENT

TITLE  
COVER SHEET

SUB SET (CATEGORY) <b>00 - SPECIFICATIONS</b>	
DRAWING NUMBER <b>SCS-FH-0001</b>	REV C
DRAWN BY I.A.	ISSUE STATUS: INFORMATION ONLY
START DATE 24/08/2020	SCALE AS SHOWN @A2

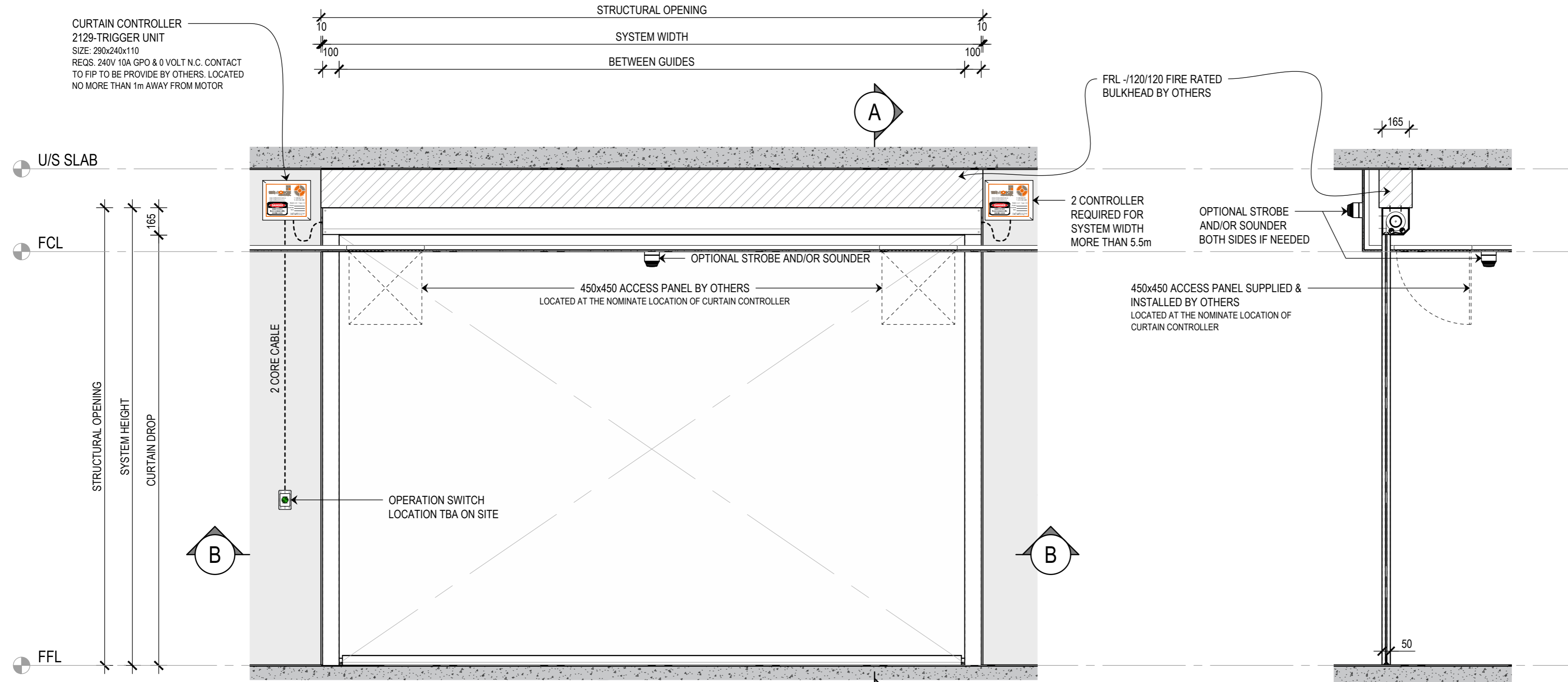
SYSTEM	COMPONENT	MATERIALS	FRL	COLOUR/FINISH
FYREHALT FIRE CURTAIN	HEAD BOX & BOTTOM BAR	GALVANISED STEEL	-/120/- AS1530.4	DULUX DURALLOY COLOUR TBA WILL COME IN RAW FINISH IF COLOUR IS NOT PROVIDED BY CLIENT
	SIDE GUIDES	GALVANISED STEEL		
	FABRIC	1100°C RATED		

**PRODUCT SPECIFICATIONS**

FILE: SCS-FH.dwg -- PLOTTED ON 04/10/2022 BY FARZANA MAHMUD

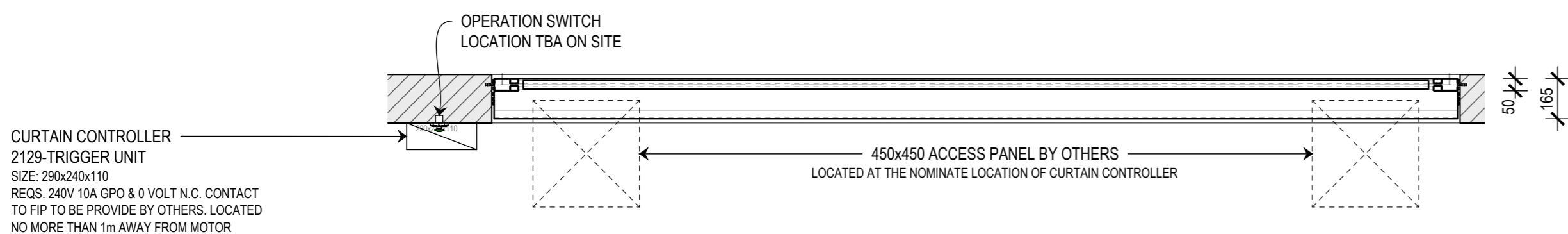
<<< umm027 <<< 594mm

CURTAIN CONTROLLER  
2129-TRIGGER UNIT  
SIZE: 290x240x110  
REQS. 240V 10A GPO & 0 VOLT N.C. CONTACT  
TO FIP TO BE PROVIDE BY OTHERS. LOCATED  
NO MORE THAN 1m AWAY FROM MOTOR



**1** FRONT ELEVATION  
FYREHALT FIRE CURTAIN - INSTALLED WITHIN OPENING  
SCALE 1:20 @ A2

**A** SECTION  
SCALE 1:20 @ A2



**B** SECTION  
SCALE 1:20 @ A2

CURTAIN CONTROLLER  
2129-TRIGGER UNIT  
SIZE: 290x240x110  
REQS. 240V 10A GPO & 0 VOLT N.C. CONTACT  
TO FIP TO BE PROVIDE BY OTHERS. LOCATED  
NO MORE THAN 1m AWAY FROM MOTOR

FRL -/120/120 FIRE RATED  
BULKHEAD BY OTHERS

2 CONTROLLER  
REQUIRED FOR  
SYSTEM WIDTH  
MORE THAN 5.5m

OPTIONAL STROBE  
AND/OR SOUNDER  
BOTH SIDES IF NEEDED

450x450 ACCESS PANEL SUPPLIED &  
INSTALLED BY OTHERS  
LOCATED AT THE NOMINATE LOCATION OF  
CURTAIN CONTROLLER

THIS DRAWING IS COPYRIGHT AND THE PROPERTY OF THE AUTHOR, AND MUST NOT BE  
RETAINED, COPIED OR USED WITHOUT THE AUTHORITY OF SMOKE CONTROL SYSTEMS  
PTY. LTD.  
DO NOT SCALE FROM DRAWING. USE PROVIDED DIMENSIONS ONLY.  
ALL DISCREPANCIES MUST BE BROUGHT TO THE ATTENTION OF AUTHOR.  
SMOKE CONTROL SYSTEMS DO NOT TAKE RESPONSIBILITY OF MEASUREMENTS  
PROVIDED BY OTHERS.

REV	CHK	REASON	DATE
-	AC	RELEASED	04/09/2020
B	BK	RELEASED	04/10/2022

**DISCLAIMER**

INFORMATION GIVEN IN SMOKECONTROL.COM.AU AND PUBLICATIONS FOR  
DOWNLOAD ARE GIVEN TO THE BEST OF OUR KNOWLEDGE AND IN GOOD  
FAITH. SMOKE CONTROL IS NOT RESPONSIBLE IF RECIPIENTS OF TEST  
REPORTS, ASSESSMENTS OR LITERATURE MISINTERPRET THE CONTENTS  
AND WRONGLY USE PRODUCTS BASED ON THOSE MISINTERPRETATIONS. NO  
LIABILITY IS ACCEPTED FOR ERROR OMISSIONS IN THIS WEB SITE OR OUR  
DOCUMENTS. IN THE INTERESTS OF IMPROVEMENTS AND CONTINUED  
DEVELOPMENT SMOKE CONTROL RESERVES THE RIGHT TO CHANGE  
SPECIFICATION WITHOUT NOTICE.

**INFORMATION  
COPY ONLY**



WWW.SMOKECONTROL.COM.AU  
WWW.SMOKECONTROL.CO.NZ  
WWW.SMOKECONTROL.COM  
AUSTRALIAN HEADOFFICE PHONE: 1300 665 471  
NEW ZEALAND PHONE: 09 300 1980  
INFO@SMOKECONTROL.COM.AU INFO@SMOKECONTROL.CO.NZ

PROJECT  
SCS-FH  
FYREHALT FIRE CURTAIN

CLIENT

TITLE  
FYREHALT FIRE CURTAIN  
INSTALLED WITHIN OPENING

SUB SET (CATEGORY)  
01 - FIRE CURTAINS

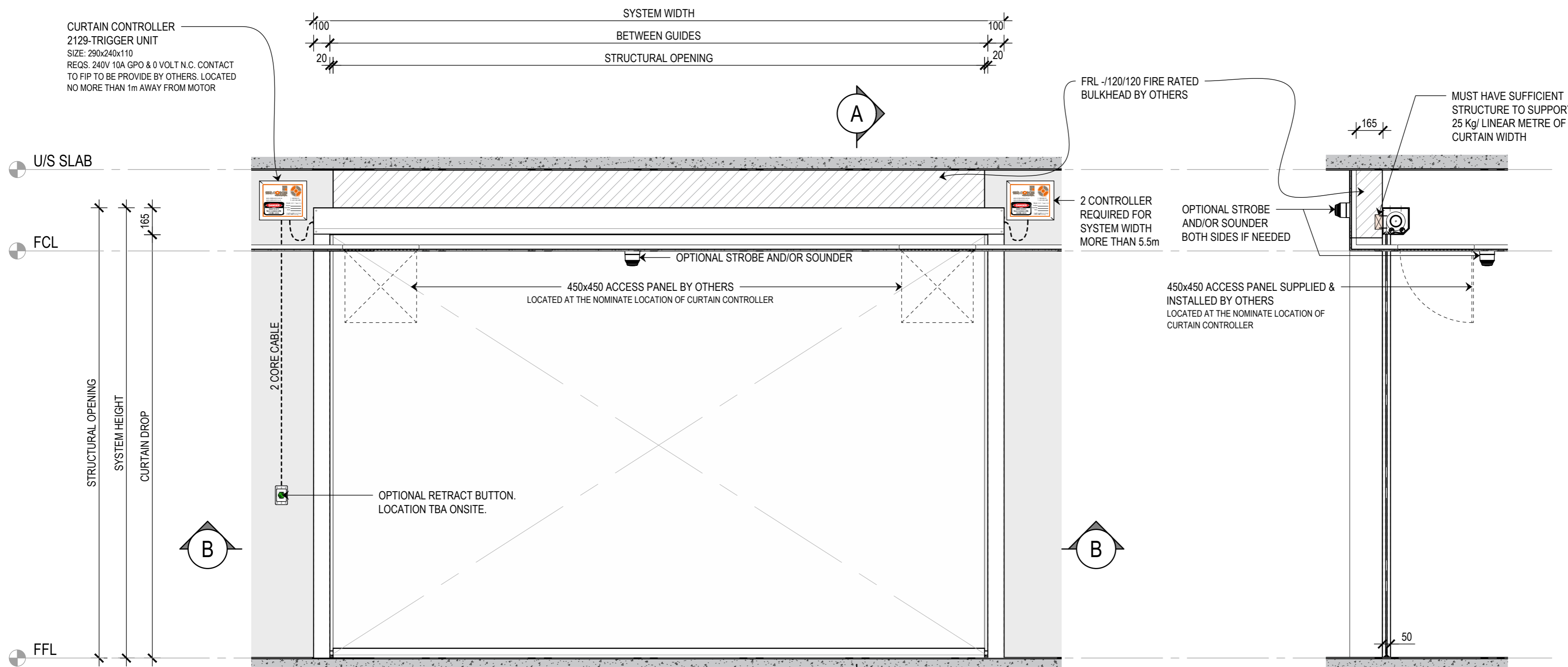
DRAWING NUMBER  
SCS-FH-0101  
REV  
B

DRAWN BY  
I.A.  
ISSUE STATUS:  
INFORMATION ONLY

START DATE  
24/08/2020  
SCALE  
AS SHOWN  
@A2

FILE: SCS-FH.dwg -- PLOTTED ON 04/10/2022 BY FARZANA MAHMUD

<<< 594mm



CURTAIN CONTROLLER  
2129-TRIGGER UNIT  
SIZE: 290x240x110  
REQS. 240V 10A GPO & 0 VOLT N.C. CONTACT  
TO FIP TO BE PROVIDE BY OTHERS. LOCATED  
NO MORE THAN 1m AWAY FROM MOTOR

SYSTEM WIDTH  
BETWEEN GUIDES  
STRUCTURAL OPENING

U/S SLAB  
FCL  
FFL  
STRUCTURAL OPENING  
SYSTEM HEIGHT  
CURTAIN DROP  
165

2 CORE CABLE

OPTIONAL RETRACT BUTTON.  
LOCATION TBA ONSITE.

450x450 ACCESS PANEL BY OTHERS  
LOCATED AT THE NOMINATE LOCATION OF CURTAIN CONTROLLER

OPTIONAL STROBE AND/OR SOUNDER

FRL -/120/120 FIRE RATED  
BULKHEAD BY OTHERS

2 CONTROLLER  
REQUIRED FOR  
SYSTEM WIDTH  
MORE THAN 5.5m

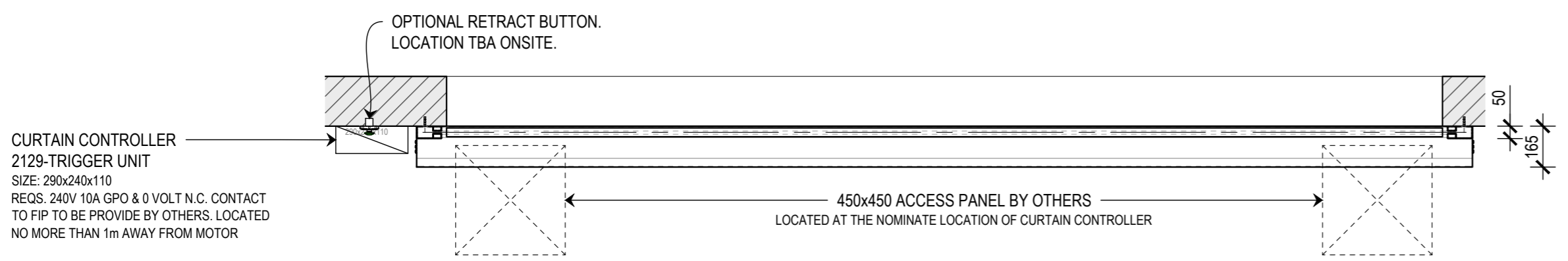
OPTIONAL STROBE  
AND/OR SOUNDER  
BOTH SIDES IF NEEDED

450x450 ACCESS PANEL SUPPLIED &  
INSTALLED BY OTHERS  
LOCATED AT THE NOMINATE LOCATION OF  
CURTAIN CONTROLLER

MUST HAVE SUFFICIENT  
STRUCTURE TO SUPPORT  
25 Kg/ LINEAR METRE OF  
CURTAIN WIDTH

**1** FRONT ELEVATION  
FYREHALT FIRE CURTAIN - INSTALLED OVER OPENING  
SCALE 1:20 @ A2

**A** SECTION  
SCALE 1:20 @ A2



CURTAIN CONTROLLER  
2129-TRIGGER UNIT  
SIZE: 290x240x110  
REQS. 240V 10A GPO & 0 VOLT N.C. CONTACT  
TO FIP TO BE PROVIDE BY OTHERS. LOCATED  
NO MORE THAN 1m AWAY FROM MOTOR

OPTIONAL RETRACT BUTTON.  
LOCATION TBA ONSITE.

450x450 ACCESS PANEL BY OTHERS  
LOCATED AT THE NOMINATE LOCATION OF CURTAIN CONTROLLER

**B** SECTION  
SCALE 1:20 @ A2

THIS DRAWING IS COPYRIGHT AND THE PROPERTY OF THE AUTHOR, AND MUST NOT BE  
RETAINED, COPIED OR USED WITHOUT THE AUTHORITY OF SMOKE CONTROL SYSTEMS  
PTY. LTD.  
DO NOT SCALE FROM DRAWING. USE PROVIDED DIMENSIONS ONLY.  
ALL DISCREPANCIES MUST BE BROUGHT TO THE ATTENTION OF AUTHOR.  
SMOKE CONTROL SYSTEMS DO NOT TAKE RESPONSIBILITY OF MEASUREMENTS  
PROVIDED BY OTHERS.

CHK	REASON	DATE
AC	RELEASED	04/09/2020
BK	RELEASED	04/10/2022

**DISCLAIMER**

INFORMATION GIVEN IN SMOKECONTROL.COM.AU AND PUBLICATIONS FOR  
DOWNLOAD ARE GIVEN TO THE BEST OF OUR KNOWLEDGE AND IN GOOD  
FAITH. SMOKE CONTROL IS NOT RESPONSIBLE IF RECIPIENTS OF TEST  
REPORTS, ASSESSMENTS OR LITERATURE MISINTERPRET THE CONTENTS  
AND WRONGLY USE PRODUCTS BASED ON THOSE MISINTERPRETATIONS. NO  
LIABILITY IS ACCEPTED FOR ERROR OMISSIONS IN THIS WEB SITE OR OUR  
DOCUMENTS. IN THE INTERESTS OF IMPROVEMENTS AND CONTINUED  
DEVELOPMENT SMOKE CONTROL RESERVES THE RIGHT TO CHANGE  
SPECIFICATION WITHOUT NOTICE.

**INFORMATION  
COPY ONLY**



WWW.SMOKECONTROL.COM.AU  
WWW.SMOKECONTROL.CO.NZ  
WWW.SMOKECONTROL.COM  
AUSTRALIAN HEADOFFICE PHONE: 1300 665 471  
NEW ZEALAND PHONE: 09 300 1980  
INFO@SMOKECONTROL.COM.AU INFO@SMOKECONTROL.CO.NZ

PROJECT  
SCS-FH  
FYREHALT FIRE CURTAIN

CLIENT

TITLE  
FYREHALT FIRE CURTAIN  
INSTALLED OVER OPENING

SUB SET (CATEGORY)  
01 - FIRE CURTAINS

DRAWING NUMBER  
SCS-FH-0102

DRAWN BY  
I.A.

ISSUE STATUS:  
INFORMATION ONLY

START DATE  
24/08/2020

SCALE  
AS SHOWN @A2

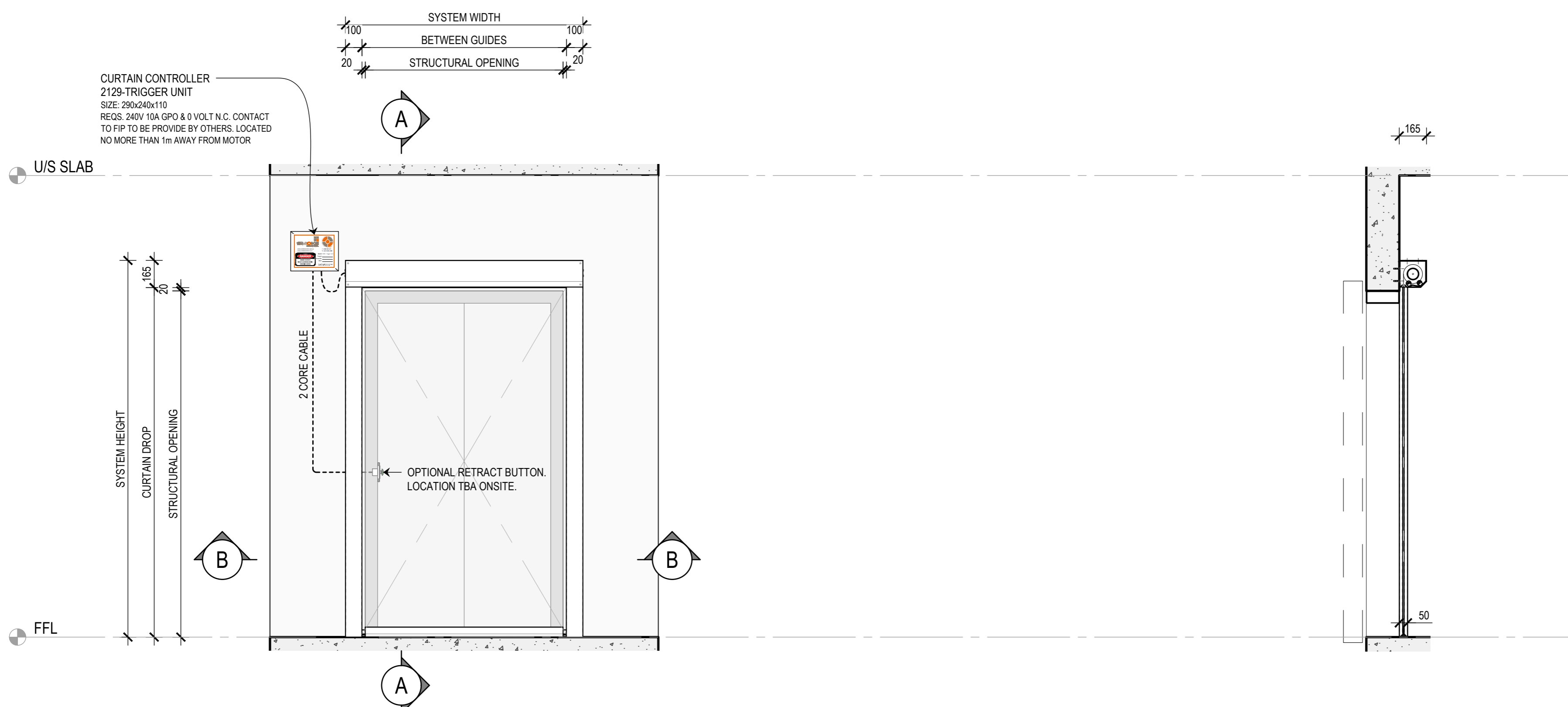
FILE: SCS-FH.dwg -- PLOTTED ON 04/10/2022 BY FARZANA MAHMUD

<<< mm47

<<< 594mm

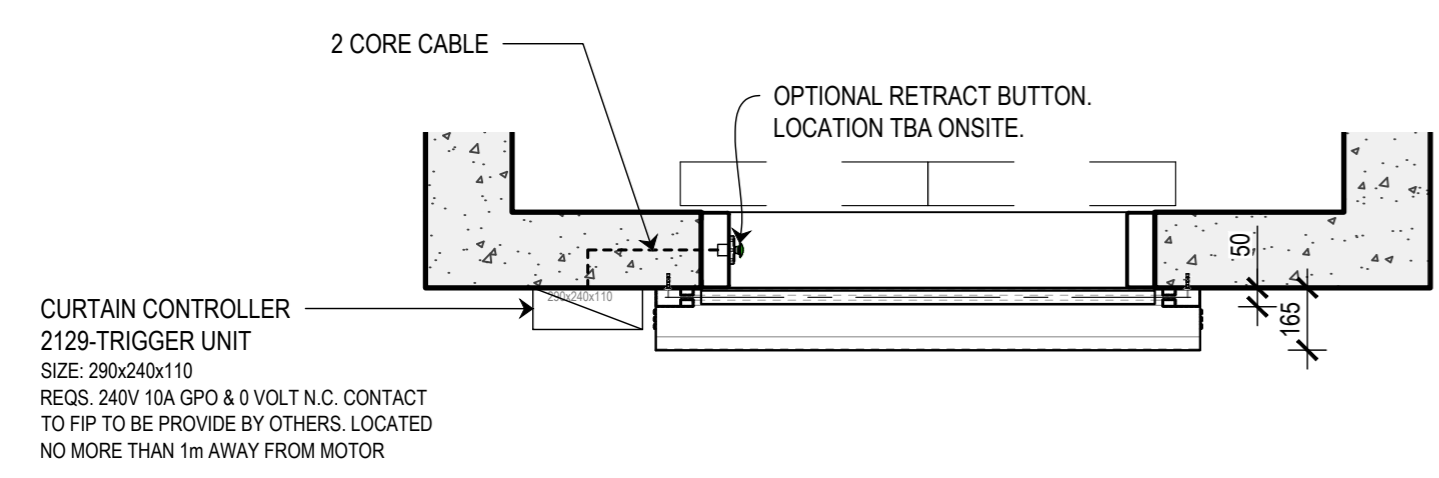
THIS DRAWING IS COPYRIGHT AND THE PROPERTY OF THE AUTHOR, AND MUST NOT BE RETAINED, COPIED OR USED WITHOUT THE AUTHORITY OF SMOKE CONTROL SYSTEMS PTY. LTD.  
 DO NOT SCALE FROM DRAWING. USE PROVIDED DIMENSIONS ONLY.  
 ALL DISCREPANCIES MUST BE BROUGHT TO THE ATTENTION OF AUTHOR.  
 SMOKE CONTROL SYSTEMS DO NOT TAKE RESPONSIBILITY OF MEASUREMENTS PROVIDED BY OTHERS.

CHK	REASON	DATE
- AC	RELEASED	04/09/2020
B BK	RELEASED	04/10/2022



**1** FRONT ELEVATION  
 FYREHALT FIRE CURTAIN - INSTALLED OVER LIFT  
 SCALE 1:20 @ A2

**A** SECTION  
 SCALE 1:20 @ A2



**B** SECTION  
 SCALE 1:20 @ A2

**DISCLAIMER**  
 INFORMATION GIVEN IN SMOKECONTROL.COM.AU AND PUBLICATIONS FOR DOWNLOAD ARE GIVEN TO THE BEST OF OUR KNOWLEDGE AND IN GOOD FAITH. SMOKE CONTROL IS NOT RESPONSIBLE IF RECIPIENTS OF TEST REPORTS, ASSESSMENTS OR LITERATURE MISINTERPRET THE CONTENTS AND WRONGLY USE PRODUCTS BASED ON THOSE MISINTERPRETATIONS. NO LIABILITY IS ACCEPTED FOR ERROR OMISSIONS IN THIS WEB SITE OR OUR DOCUMENTS. IN THE INTERESTS OF IMPROVEMENTS AND CONTINUED DEVELOPMENT SMOKE CONTROL RESERVES THE RIGHT TO CHANGE SPECIFICATION WITHOUT NOTICE.

**INFORMATION COPY ONLY**



WWW.SMOKECONTROL.COM.AU  
 WWW.SMOKECONTROL.CO.NZ  
 WWW.SMOKECONTROL.COM  
 AUSTRALIAN HEADOFFICE PHONE: 1300 665 471  
 NEW ZEALAND PHONE: 09 300 1980  
 INFO@SMOKECONTROL.COM.AU INFO@SMOKECONTROL.CO.NZ

PROJECT  
 SCS-FH  
 FYREHALT FIRE CURTAIN

CLIENT

TITLE  
 FYREHALT FIRE CURTAIN  
 INSTALLED OVER LIFT

SUB SET (CATEGORY)  
**01 - FIRE CURTAINS**

DRAWING NUMBER  
**SCS-FH-0103**

ISSUE STATUS:  
 INFORMATION ONLY

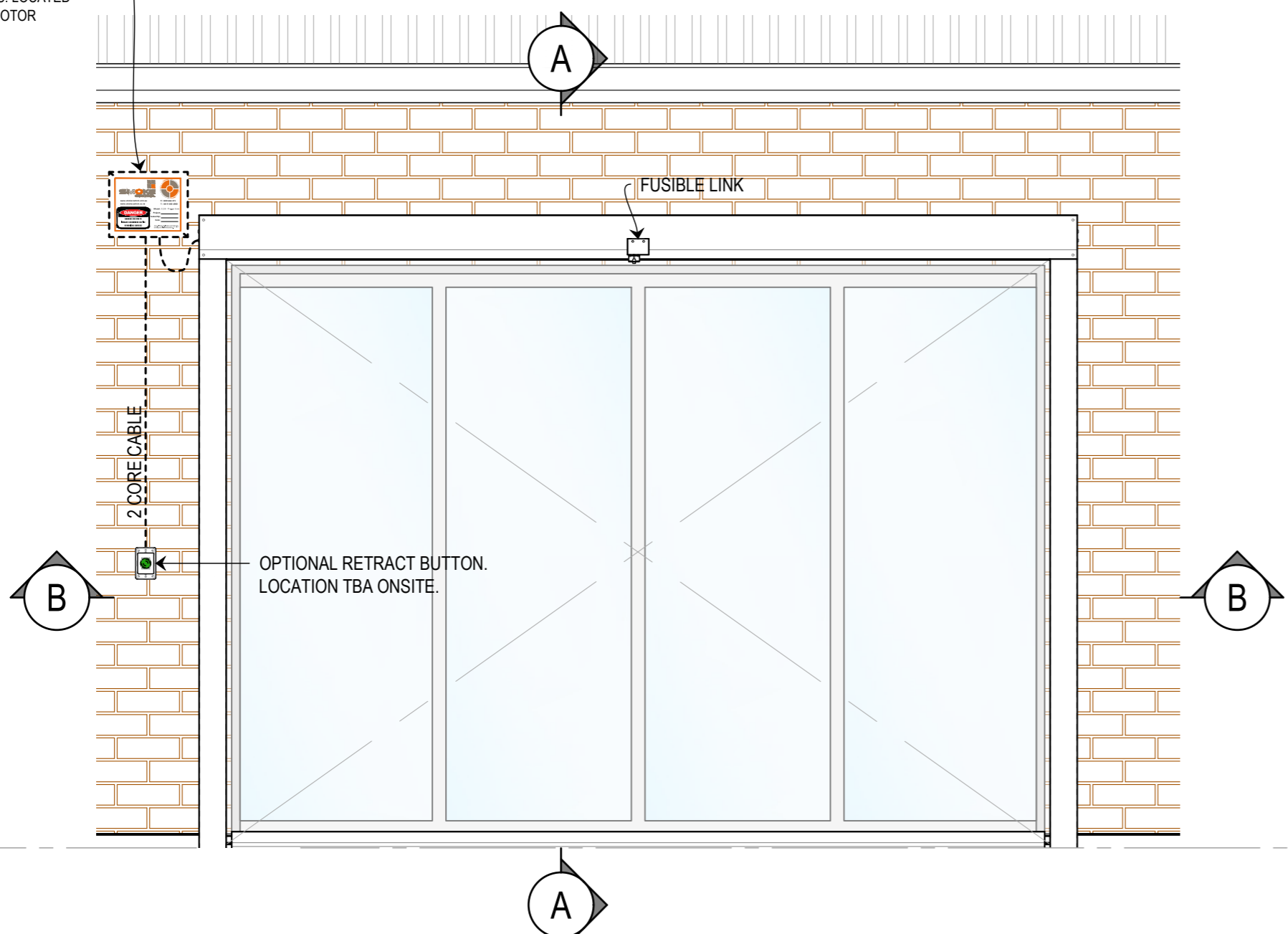
SCALE  
 AS SHOWN @A2

FILE: SCS-FH.dwg -- PLOTTED ON 04/10/2022 BY FARZANA MAHMUD

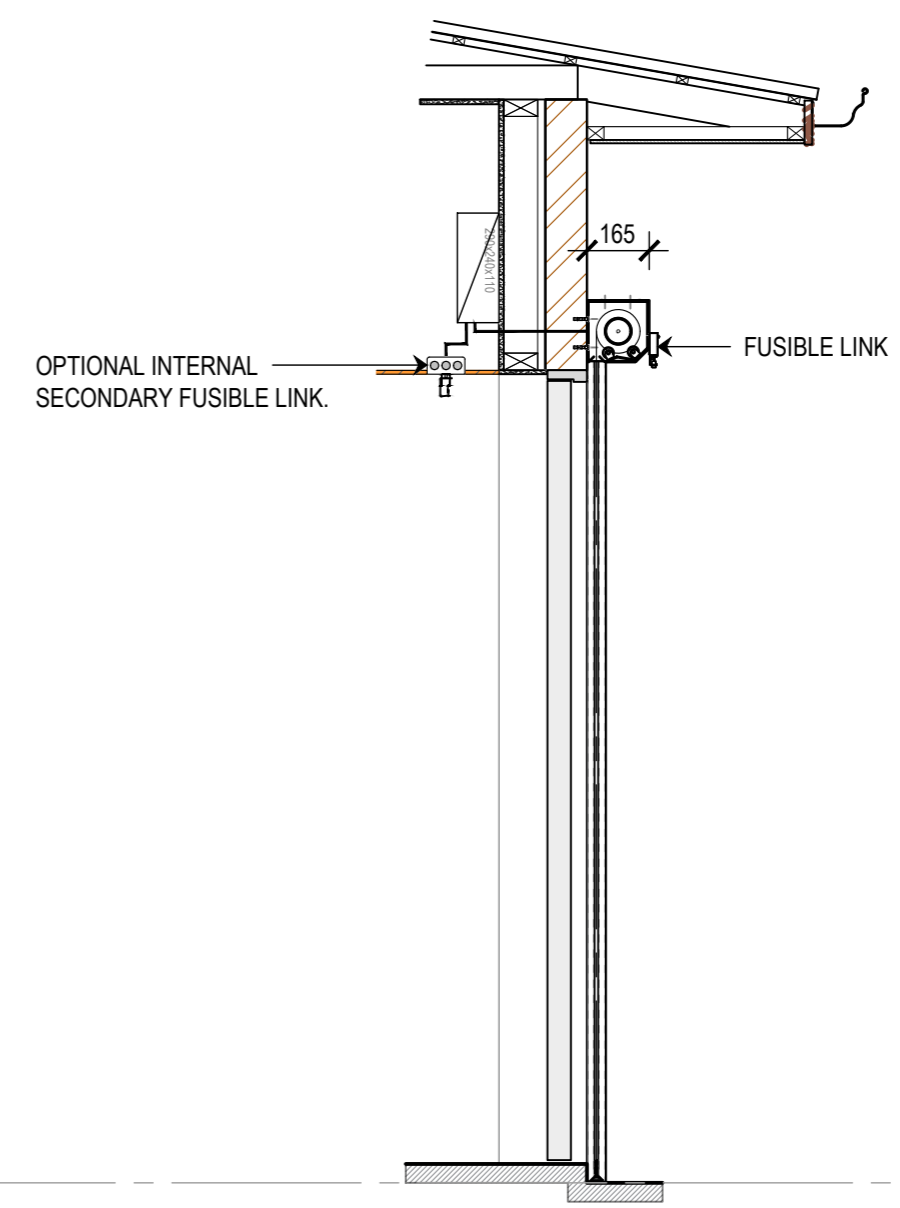
<<< 594mm

CURTAIN CONTROLLER  
2129-TRIGGER UNIT  
SIZE: 290x240x110  
REQS. 240V 10A GPO & 0 VOLT N.C. CONTACT  
TO FIP TO BE PROVIDE BY OTHERS. LOCATED  
NO MORE THAN 1m AWAY FROM MOTOR

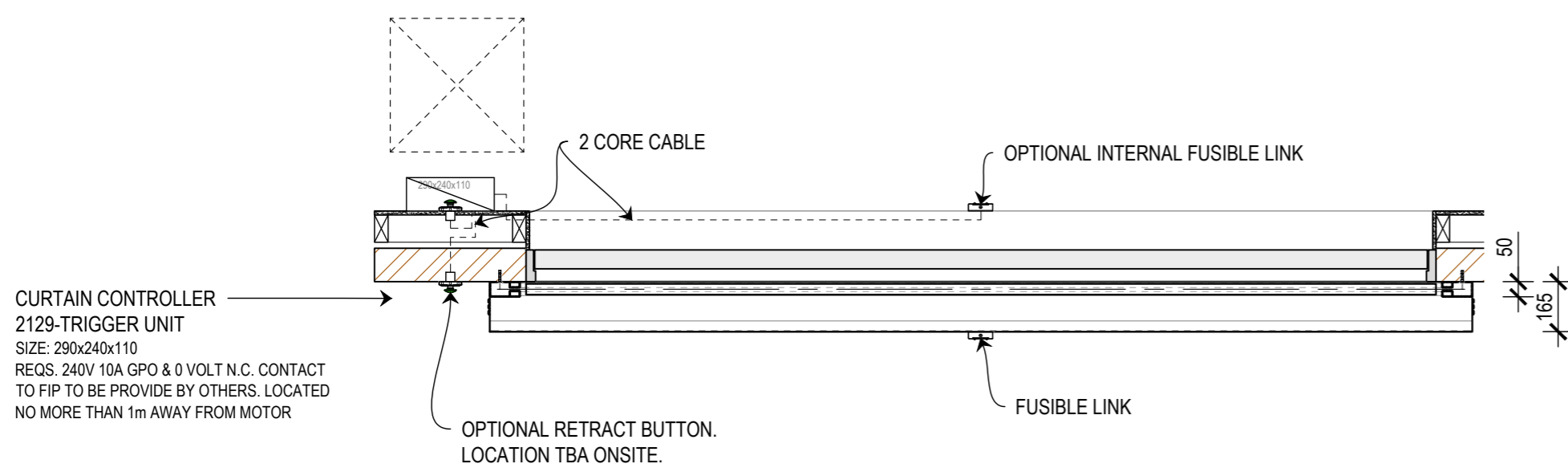
SYSTEM WIDTH  
BETWEEN GUIDES  
STRUCTURAL OPENING



**1** FRONT ELEVATION  
FYREHALT FIRE CURTAIN - FUSIBLE LINK  
SCALE 1:20 @ A2



**A** SECTION  
SCALE 1:20 @ A2



**B** SECTION  
SCALE 1:20 @ A2

CURTAIN CONTROLLER  
2129-TRIGGER UNIT  
SIZE: 290x240x110  
REQS. 240V 10A GPO & 0 VOLT N.C. CONTACT  
TO FIP TO BE PROVIDE BY OTHERS. LOCATED  
NO MORE THAN 1m AWAY FROM MOTOR

OPTIONAL RETRACT BUTTON.  
LOCATION TBA ONSITE.

THIS DRAWING IS COPYRIGHT AND THE PROPERTY OF THE AUTHOR, AND MUST NOT BE  
RETAINED, COPIED OR USED WITHOUT THE AUTHORITY OF SMOKE CONTROL SYSTEMS  
PTY. LTD.  
DO NOT SCALE FROM DRAWING. USE PROVIDED DIMENSIONS ONLY.  
ALL DISCREPANCIES MUST BE BROUGHT TO THE ATTENTION OF AUTHOR.  
SMOKE CONTROL SYSTEMS DO NOT TAKE RESPONSIBILITY OF MEASUREMENTS  
PROVIDED BY OTHERS.

CHK	REASON	DATE
AC	RELEASED	04/09/2020
BK	RELEASED	04/10/2022

**DISCLAIMER**

INFORMATION GIVEN IN SMOKECONTROL.COM.AU AND PUBLICATIONS FOR  
DOWNLOAD ARE GIVEN TO THE BEST OF OUR KNOWLEDGE AND IN GOOD  
FAITH. SMOKE CONTROL IS NOT RESPONSIBLE IF RECIPIENTS OF TEST  
REPORTS, ASSESSMENTS OR LITERATURE MISINTERPRET THE CONTENTS  
AND WRONGLY USE PRODUCTS BASED ON THOSE MISINTERPRETATIONS. NO  
LIABILITY IS ACCEPTED FOR ERROR OMISSIONS IN THIS WEB SITE OR OUR  
DOCUMENTS. IN THE INTERESTS OF IMPROVEMENTS AND CONTINUED  
DEVELOPMENT SMOKE CONTROL RESERVES THE RIGHT TO CHANGE  
SPECIFICATION WITHOUT NOTICE.

**INFORMATION  
COPY ONLY**



WWW.SMOKECONTROL.COM.AU  
WWW.SMOKECONTROL.CO.NZ  
WWW.SMOKECONTROL.COM  
AUSTRALIAN HEADOFFICE  
PHONE: 1300 665 471  
INFO@SMOKECONTROL.COM.AU  
NEW ZEALAND  
PHONE: 09 300 1980  
INFO@SMOKECONTROL.CO.NZ

PROJECT  
SCS-FH  
FYREHALT FIRE CURTAIN

CLIENT

TITLE  
FYREHALT FIRE CURTAIN  
FUSIBLE LINK

SUB SET (CATEGORY)  
**01 - FIRE CURTAINS**

DRAWING NUMBER  
**SCS-FH-0104**

DRAWN BY  
I.A.

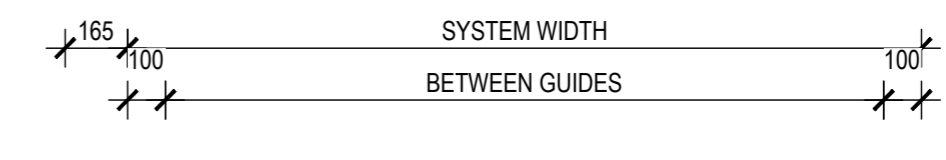
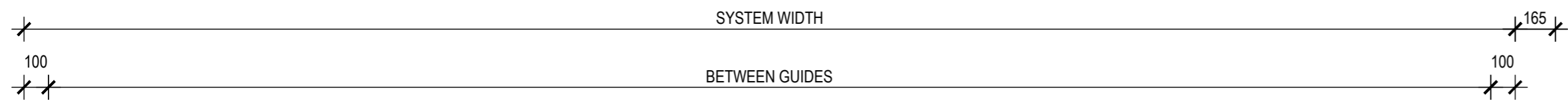
ISSUE STATUS:  
INFORMATION ONLY

START DATE  
24/08/2020

SCALE  
AS SHOWN @A2

FILE: SCS-FH.dwg -- PLOTTED ON 04/10/2022 BY FARZANA MAHMUD

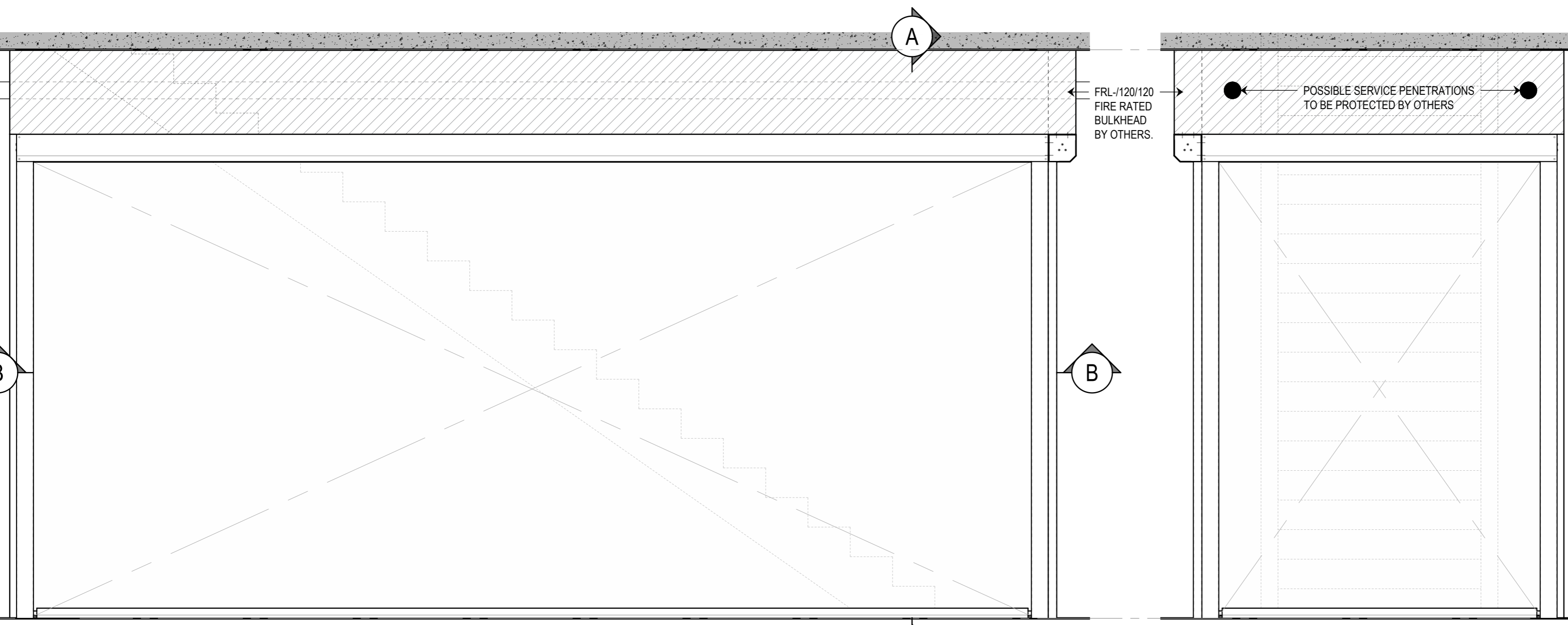
<<< 594mm



U/S SLAB

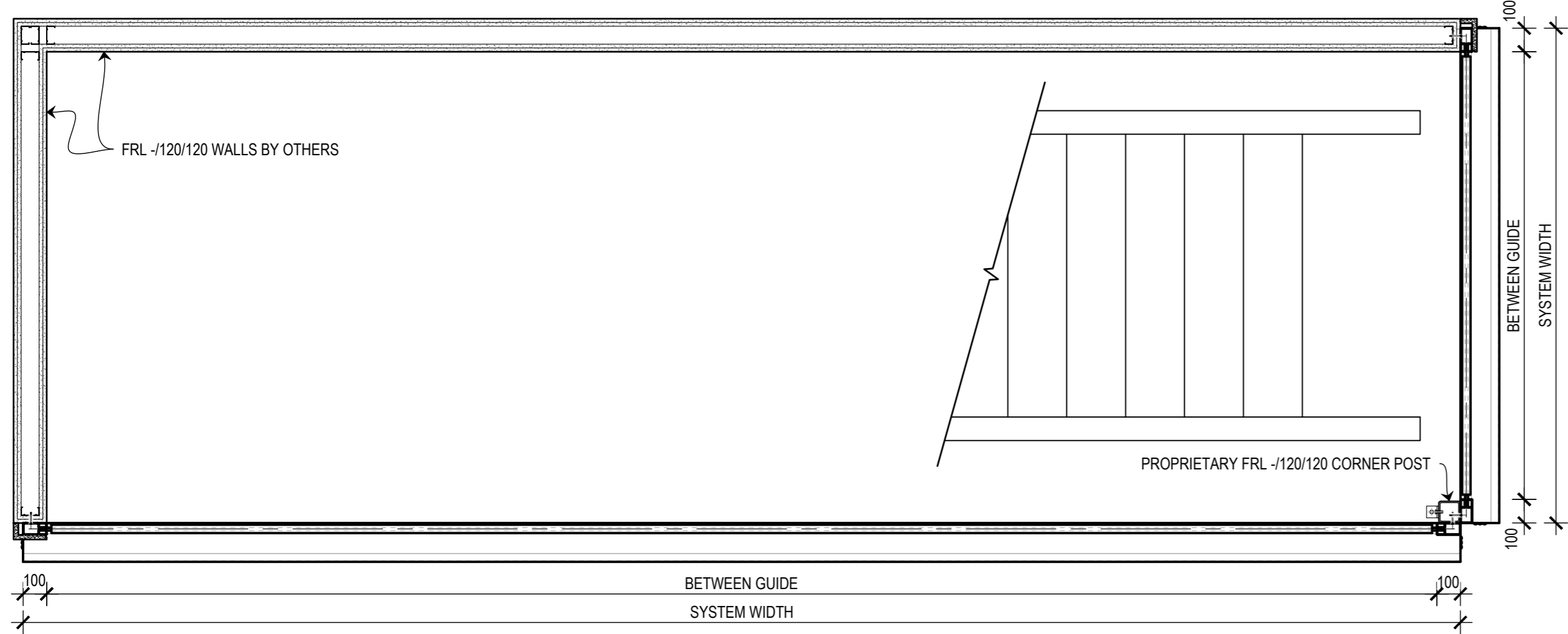
SYSTEM HEIGHT  
CURTAIN DROP

FFL



**1** FRONT ELEVATION  
FYREHALT FIRE CURTAIN - INSTALLED AT CORNER  
SCALE 1:20 @ A2

**A** SECTION  
SCALE 1:20 @ A2



**B** SECTION  
SCALE 1:20 @ A2

THIS DRAWING IS COPYRIGHT AND THE PROPERTY OF THE AUTHOR, AND MUST NOT BE RETAINED, COPIED OR USED WITHOUT THE AUTHORITY OF SMOKE CONTROL SYSTEMS PTY. LTD.  
DO NOT SCALE FROM DRAWING. USE PROVIDED DIMENSIONS ONLY.  
ALL DISCREPANCIES MUST BE BROUGHT TO THE ATTENTION OF AUTHOR.  
SMOKE CONTROL SYSTEMS DO NOT TAKE RESPONSIBILITY OF MEASUREMENTS PROVIDED BY OTHERS.

CHK	REASON	DATE
AC	RELEASED	04/09/2020
BK	RELEASED	04/10/2022

**DISCLAIMER**

INFORMATION GIVEN IN SMOKECONTROL.COM.AU AND PUBLICATIONS FOR DOWNLOAD ARE GIVEN TO THE BEST OF OUR KNOWLEDGE AND IN GOOD FAITH. SMOKE CONTROL IS NOT RESPONSIBLE IF RECIPIENTS OF TEST REPORTS, ASSESSMENTS OR LITERATURE MISINTERPRET THE CONTENTS AND WRONGLY USE PRODUCTS BASED ON THOSE MISINTERPRETATIONS. NO LIABILITY IS ACCEPTED FOR ERROR OMISSIONS IN THIS WEB SITE OR OUR DOCUMENTS. IN THE INTERESTS OF IMPROVEMENTS AND CONTINUED DEVELOPMENT SMOKE CONTROL RESERVES THE RIGHT TO CHANGE SPECIFICATION WITHOUT NOTICE.

**INFORMATION COPY ONLY**



WWW.SMOKECONTROL.COM.AU  
WWW.SMOKECONTROL.CO.NZ  
WWW.SMOKECONTROL.COM  
AUSTRALIAN HEADOFFICE PHONE: 1300 665 471  
NEW ZEALAND PHONE: 09 300 1980  
INFO@SMOKECONTROL.COM.AU INFO@SMOKECONTROL.CO.NZ

PROJECT  
SCS-FH  
FYREHALT FIRE CURTAIN

CLIENT

TITLE  
FYREHALT FIRE CURTAIN  
INSTALLED AT CORNER

SUB SET (CATEGORY)  
**01 - FIRE CURTAINS**

DRAWING NUMBER  
**SCS-FH-0105**

DRAWN BY I.A.  
ISSUE STATUS: INFORMATION ONLY

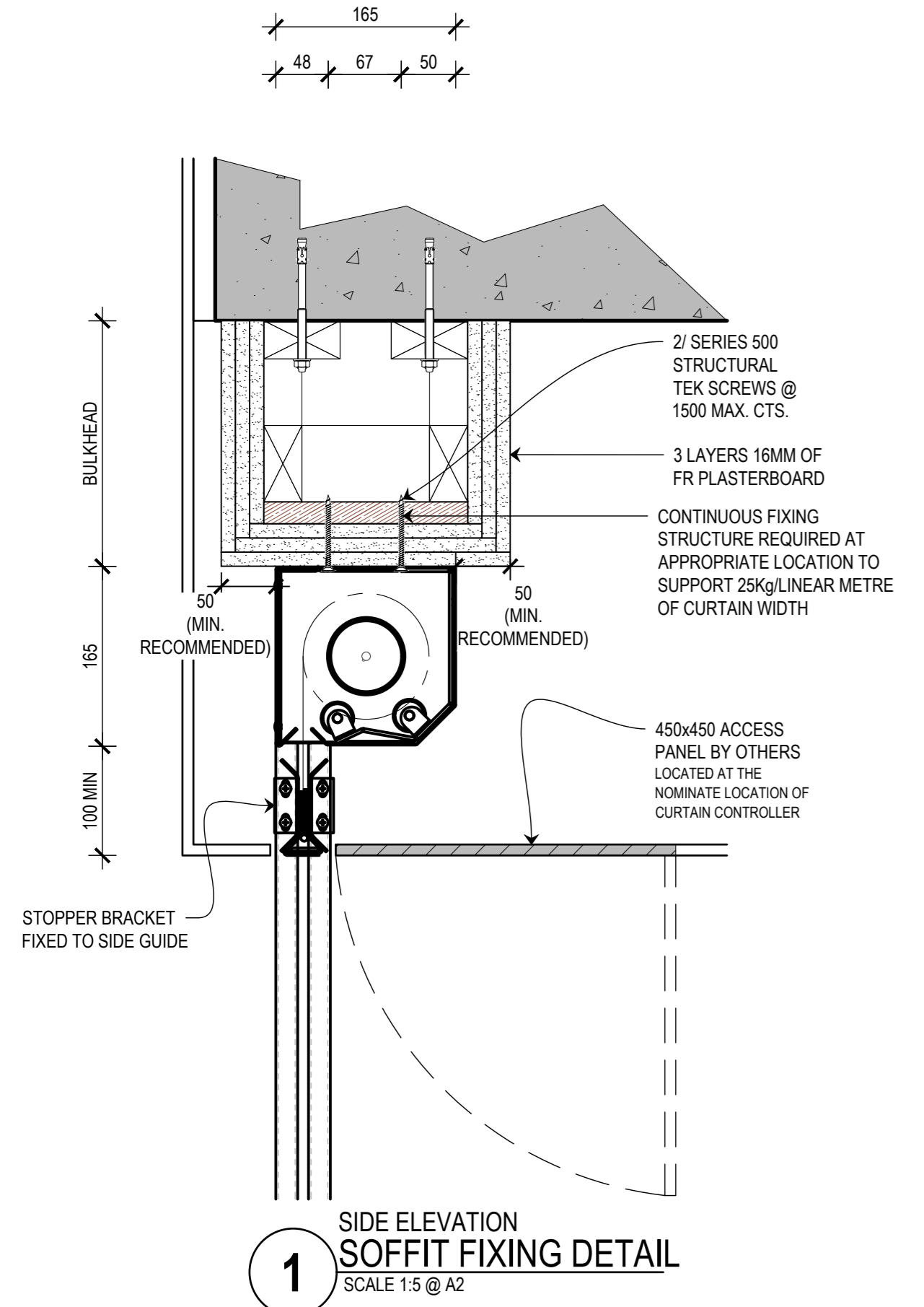
START DATE 24/08/2020  
SCALE AS SHOWN @A2

FILE: SCS-FH.dwg -- PLOTTED ON 04/10/2022 BY FARZANA MAHMUD

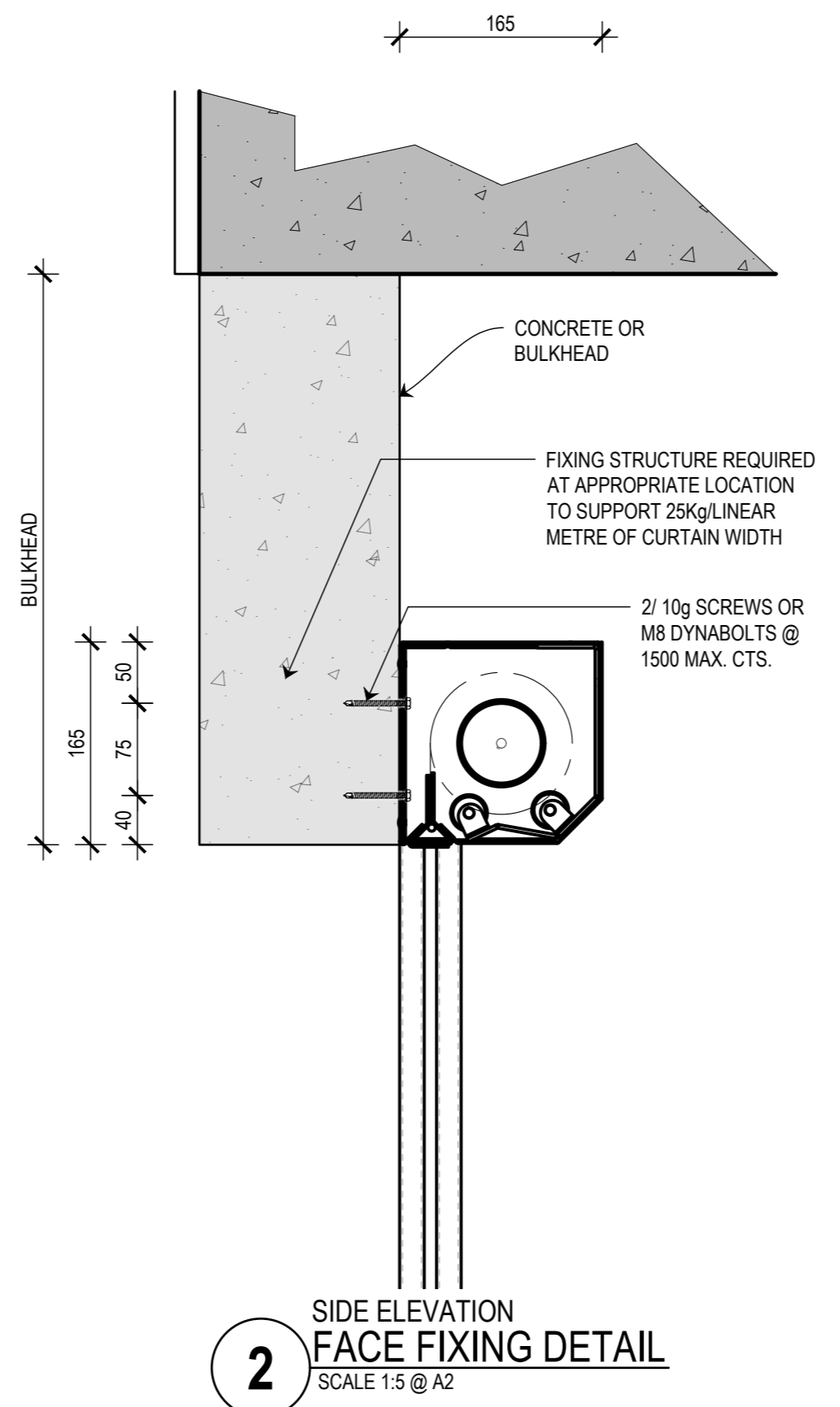
<<< 594mm

THIS DRAWING IS COPYRIGHT AND THE PROPERTY OF THE AUTHOR, AND MUST NOT BE RETAINED, COPIED OR USED WITHOUT THE AUTHORITY OF SMOKE CONTROL SYSTEMS PTY. LTD.  
 DO NOT SCALE FROM DRAWING. USE PROVIDED DIMENSIONS ONLY.  
 ALL DISCREPANCIES MUST BE BROUGHT TO THE ATTENTION OF AUTHOR.  
 SMOKE CONTROL SYSTEMS DO NOT TAKE RESPONSIBILITY OF MEASUREMENTS PROVIDED BY OTHERS.

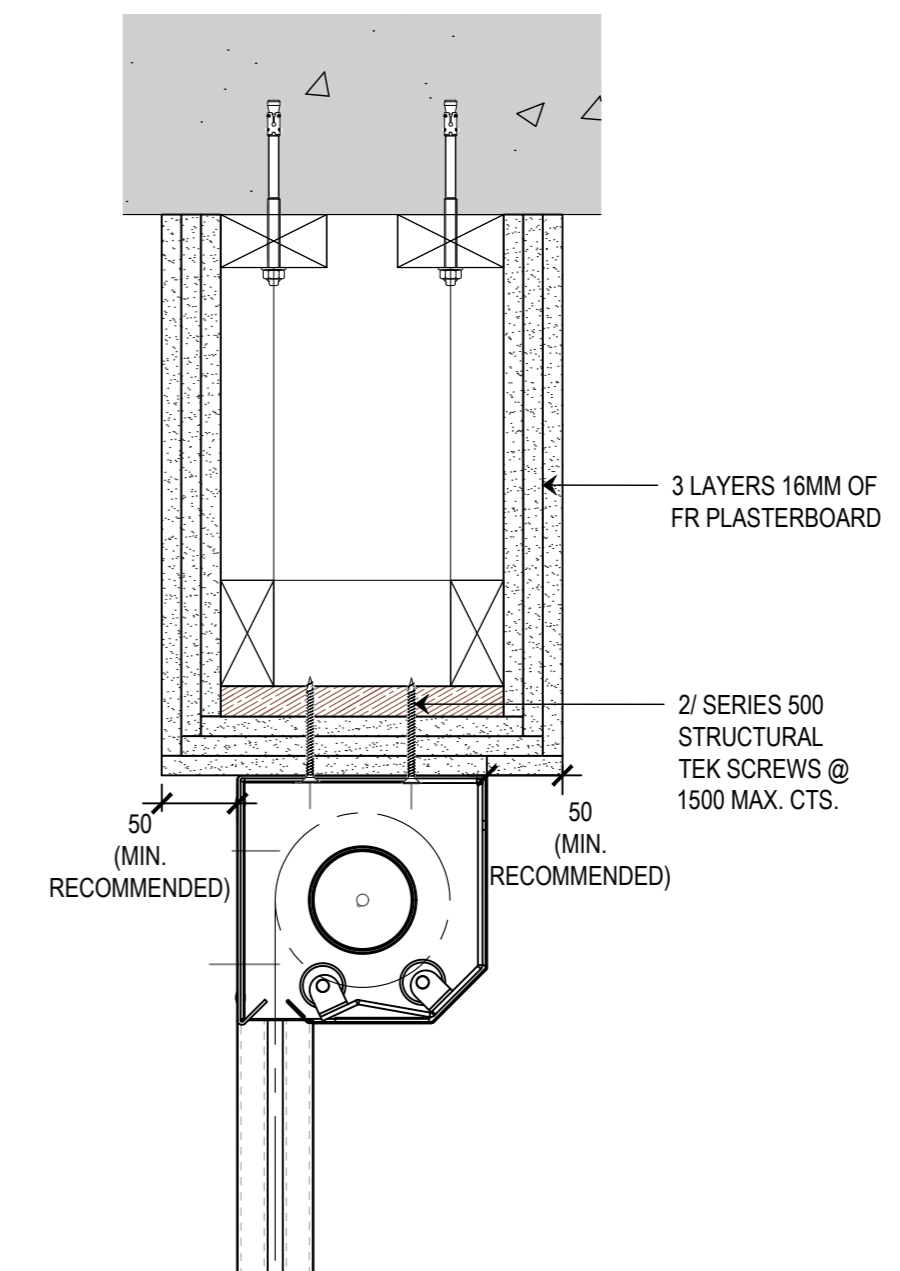
REV	CHK	REASON	DATE
-	AC	RELEASED	04/09/2020
B	BK	RELEASED	27/09/2022
C	BK	RELEASED	04/10/2022



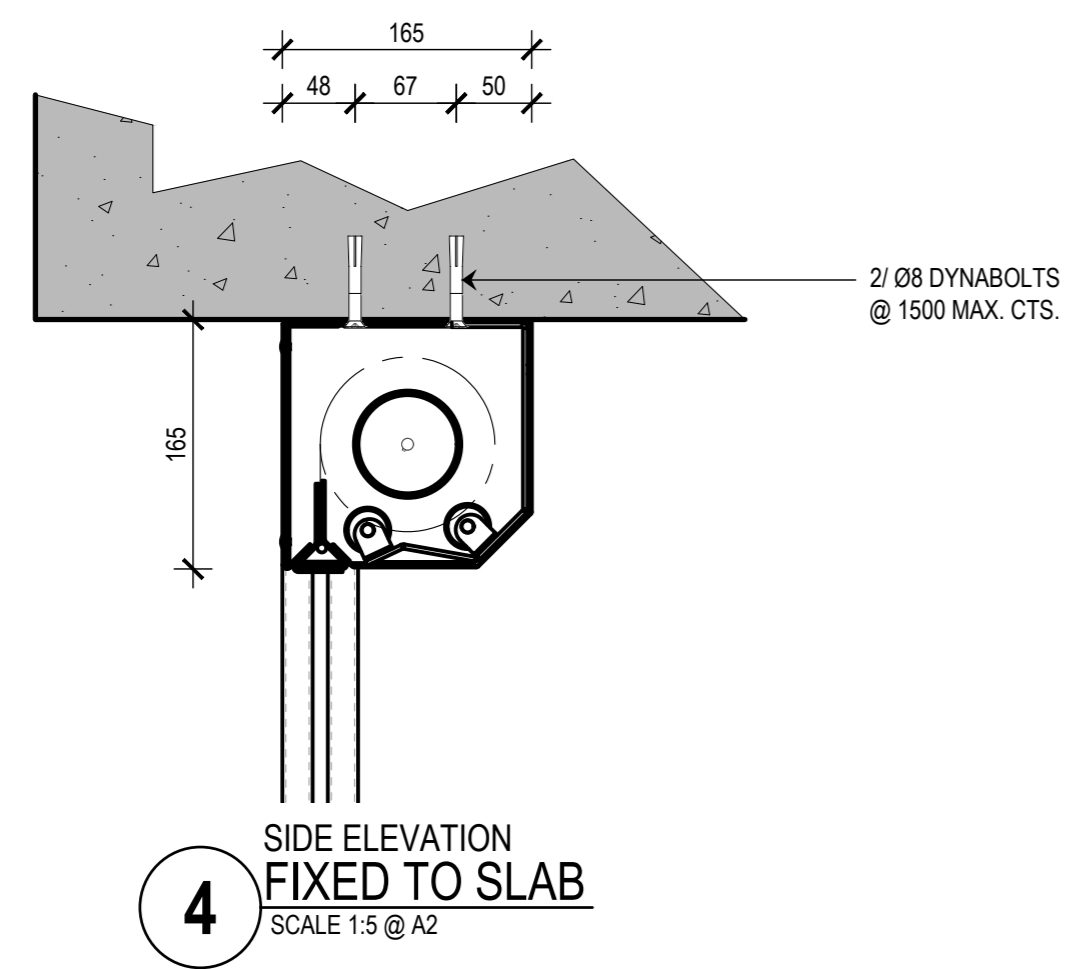
**1** SIDE ELEVATION SOFFIT FIXING DETAIL  
SCALE 1:5 @ A2



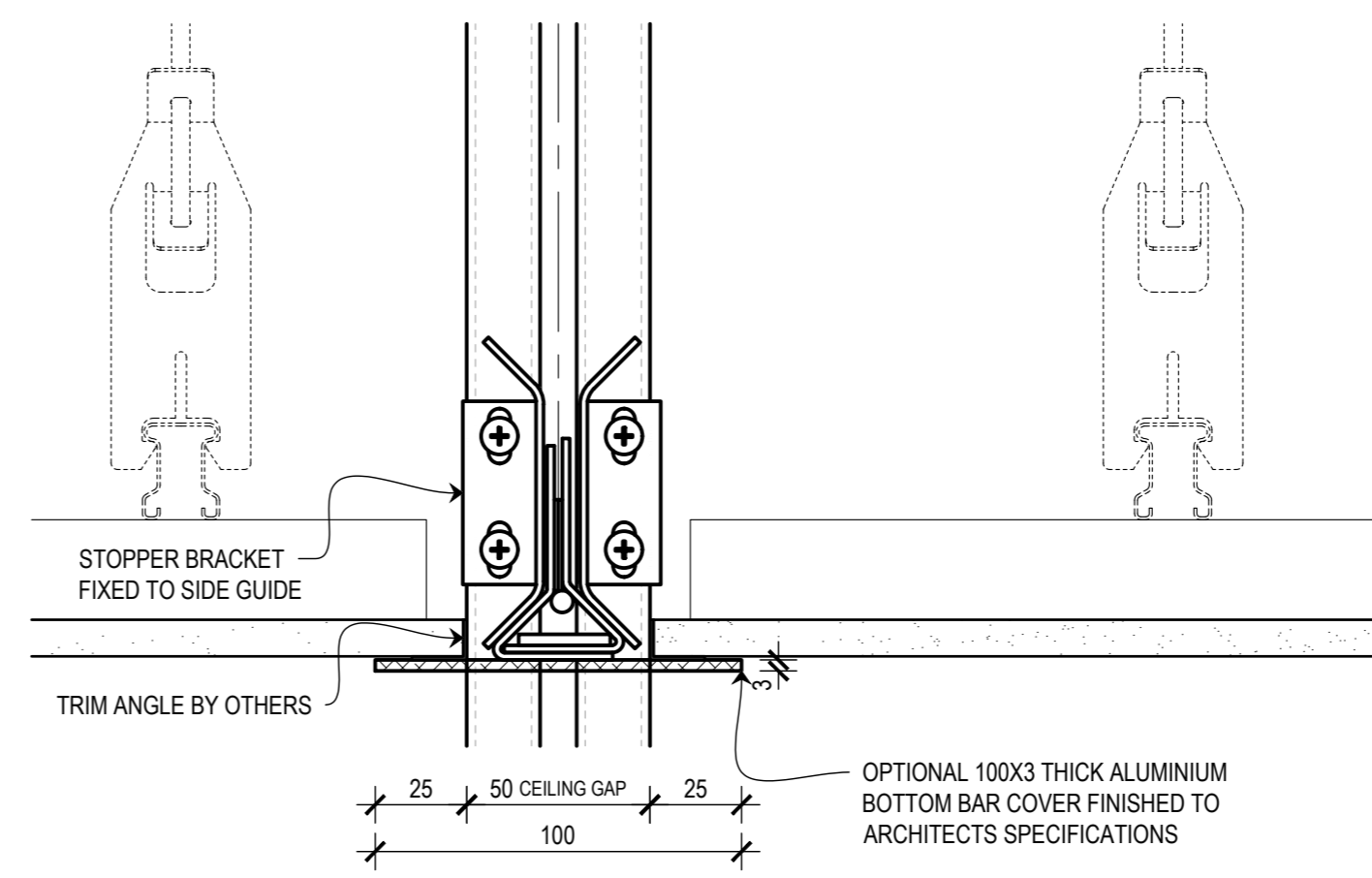
**2** SIDE ELEVATION FACE FIXING DETAIL  
SCALE 1:5 @ A2



**3** SIDE ELEVATION SOFFIT FIXING TO BEAM DETAIL  
SCALE 1:5 @ A2



**4** SIDE ELEVATION FIXED TO SLAB  
SCALE 1:5 @ A2



**5** ELEVATION OPTIONAL LEVELLING BOTTOM BAR  
SCALE 1:2 @ A2

**DISCLAIMER**  
 INFORMATION GIVEN IN SMOKECONTROL.COM.AU AND PUBLICATIONS FOR DOWNLOAD ARE GIVEN TO THE BEST OF OUR KNOWLEDGE AND IN GOOD FAITH. SMOKE CONTROL IS NOT RESPONSIBLE IF RECIPIENTS OF TEST REPORTS, ASSESSMENTS OR LITERATURE MISINTERPRET THE CONTENTS AND WRONGLY USE PRODUCTS BASED ON THOSE MISINTERPRETATIONS. NO LIABILITY IS ACCEPTED FOR ERROR OMISSIONS IN THIS WEB SITE OR OUR DOCUMENTS. IN THE INTERESTS OF IMPROVEMENTS AND CONTINUED DEVELOPMENT SMOKE CONTROL RESERVES THE RIGHT TO CHANGE SPECIFICATION WITHOUT NOTICE.

**INFORMATION COPY ONLY**



WWW.SMOKECONTROL.COM.AU  
 WWW.SMOKECONTROL.CO.NZ  
 WWW.SMOKECONTROL.COM  
 AUSTRALIAN HEADOFFICE PHONE: 1300 665 471  
 INFO@SMOKECONTROL.COM.AU  
 NEW ZEALAND PHONE: 09 300 1980  
 INFO@SMOKECONTROL.CO.NZ

PROJECT  
 SCS-FH  
 FYREHALT FIRE CURTAIN

CLIENT

TITLE  
 HEAD BOX INSTALLATION TYPES

SUB SET (CATEGORY)  
 02 - DETAILS

DRAWING NUMBER  
 SCS-FH-0201

DRAWN BY  
 F.M

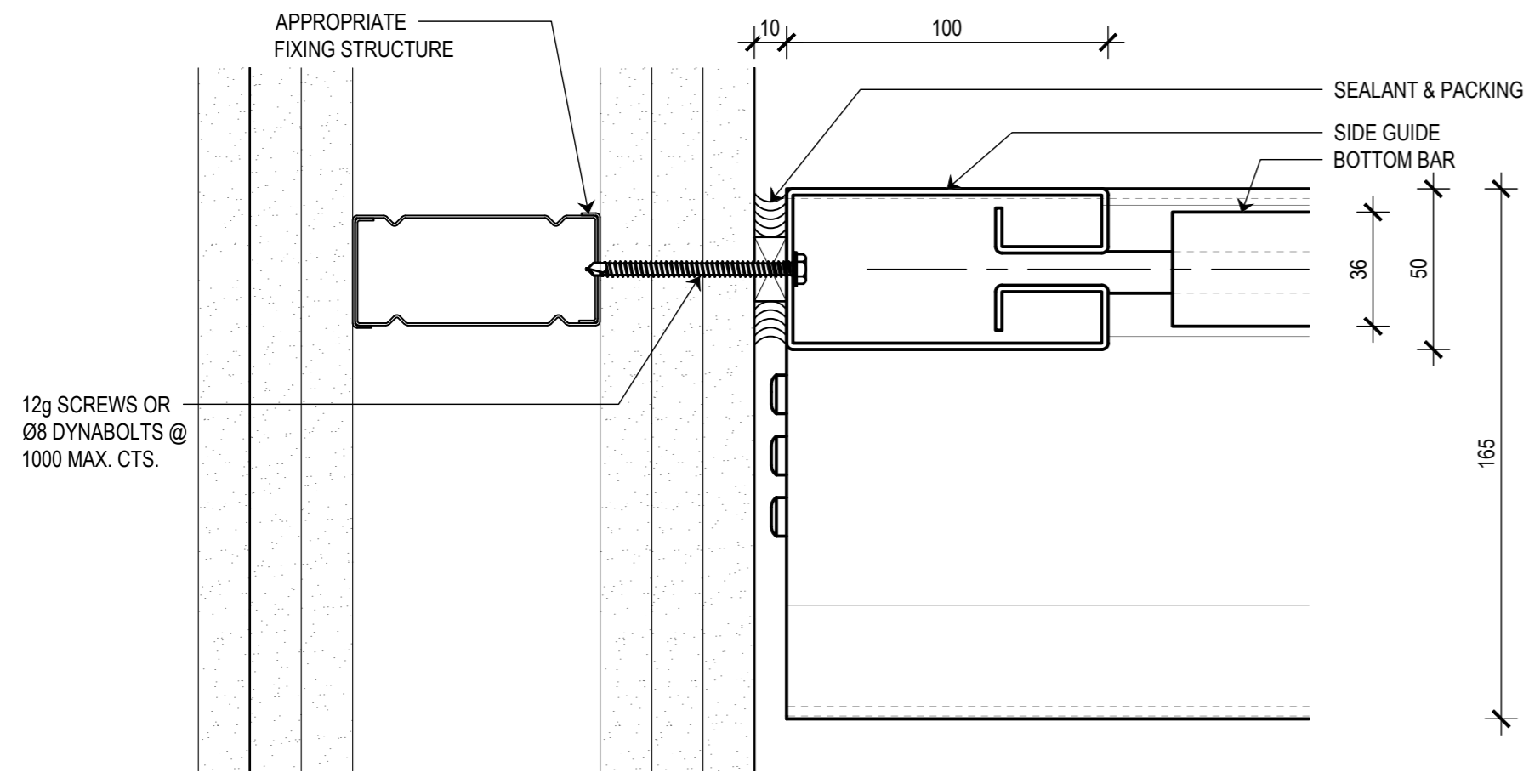
ISSUE STATUS:  
 INFORMATION ONLY

START DATE  
 24/08/2020

SCALE  
 AS SHOWN @A2

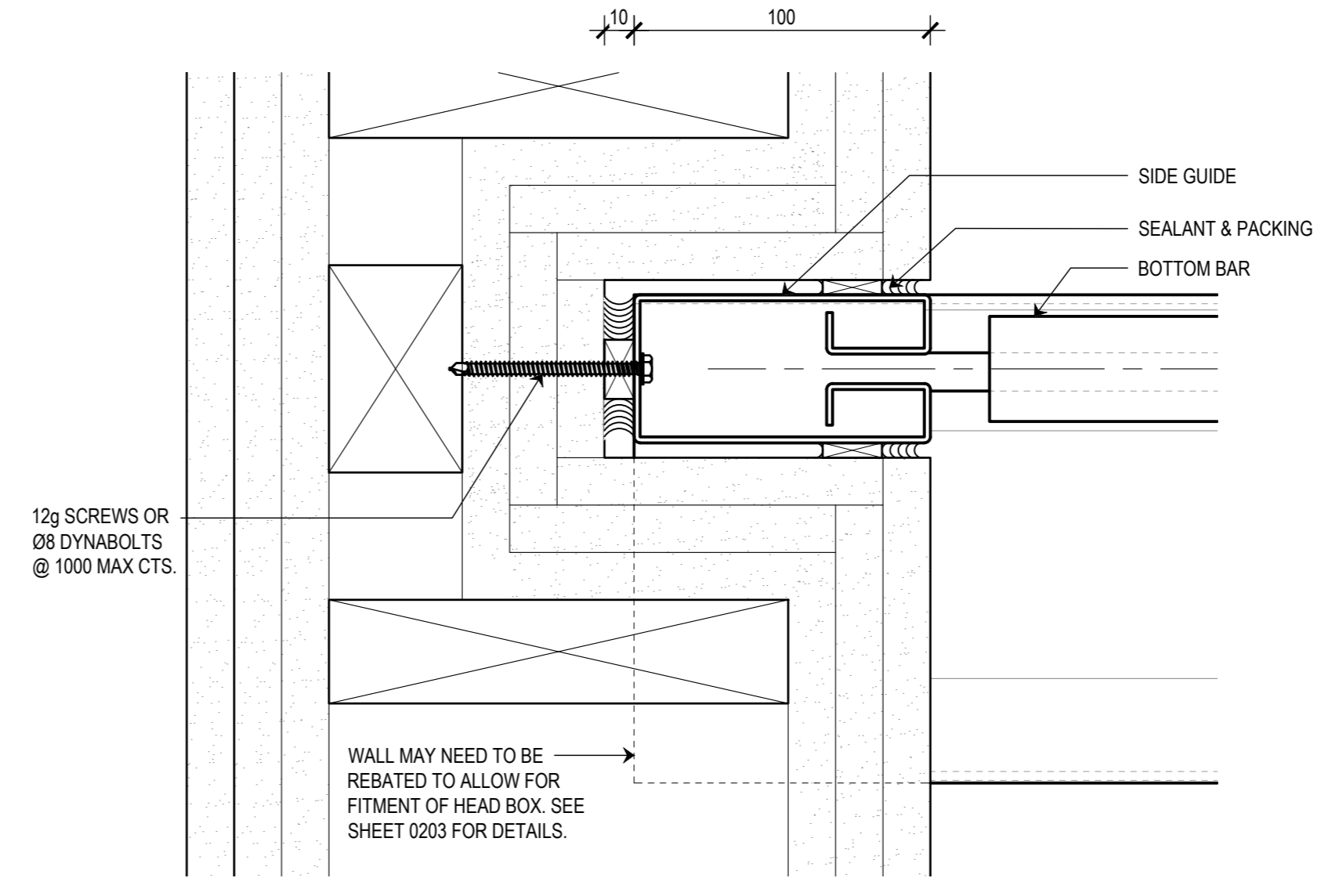
FILE: SCS-FH.dwg --- PLOTTED ON 04/10/2022 BY FARZANA MAHMUD

<<< 594mm



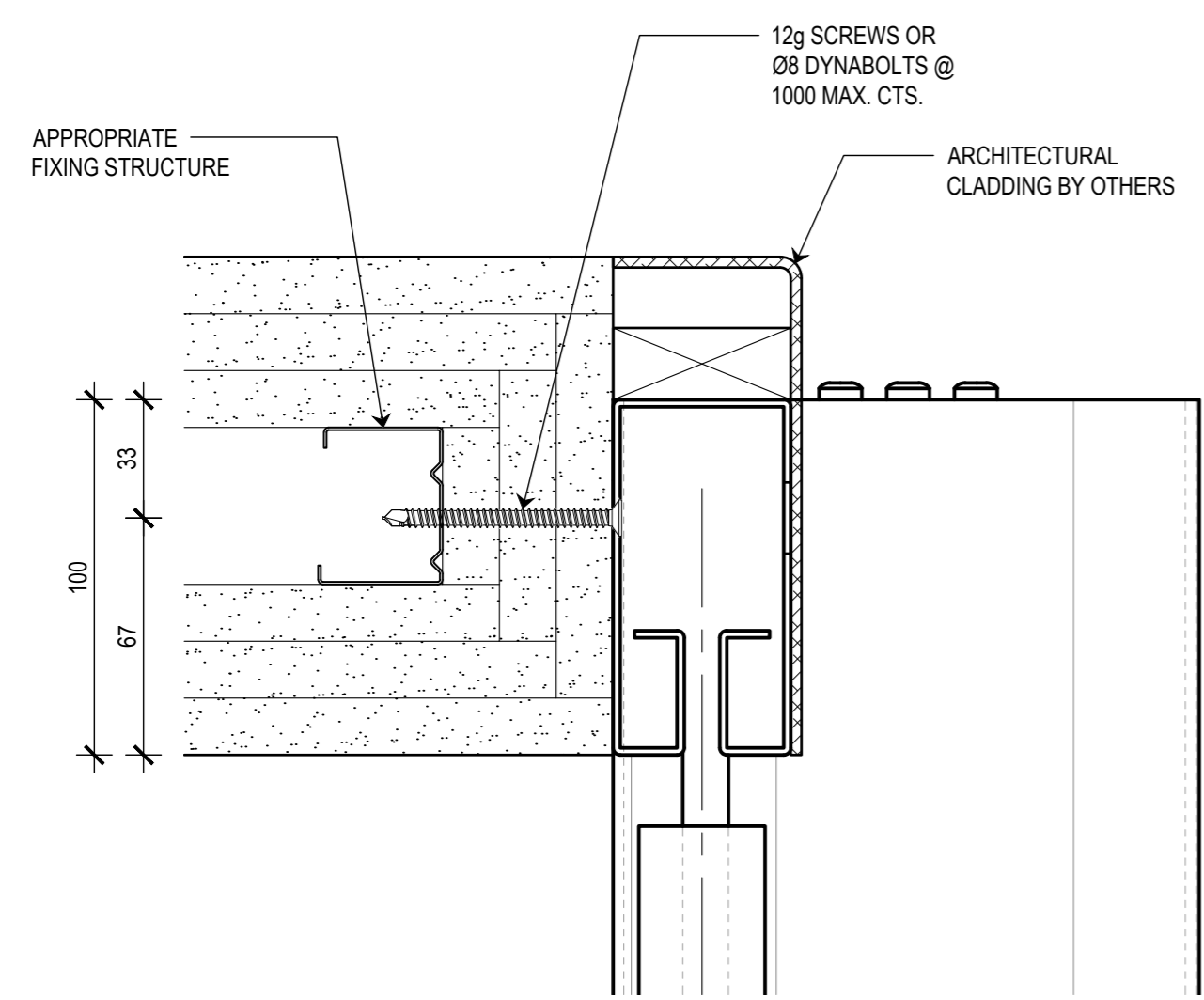
12g SCREWS OR  
Ø8 DYNABOLTS @  
1000 MAX. CTS.

**1** PLAN  
**TOE FIXED SIDE GUIDE**  
SCALE 1:2 @ A2

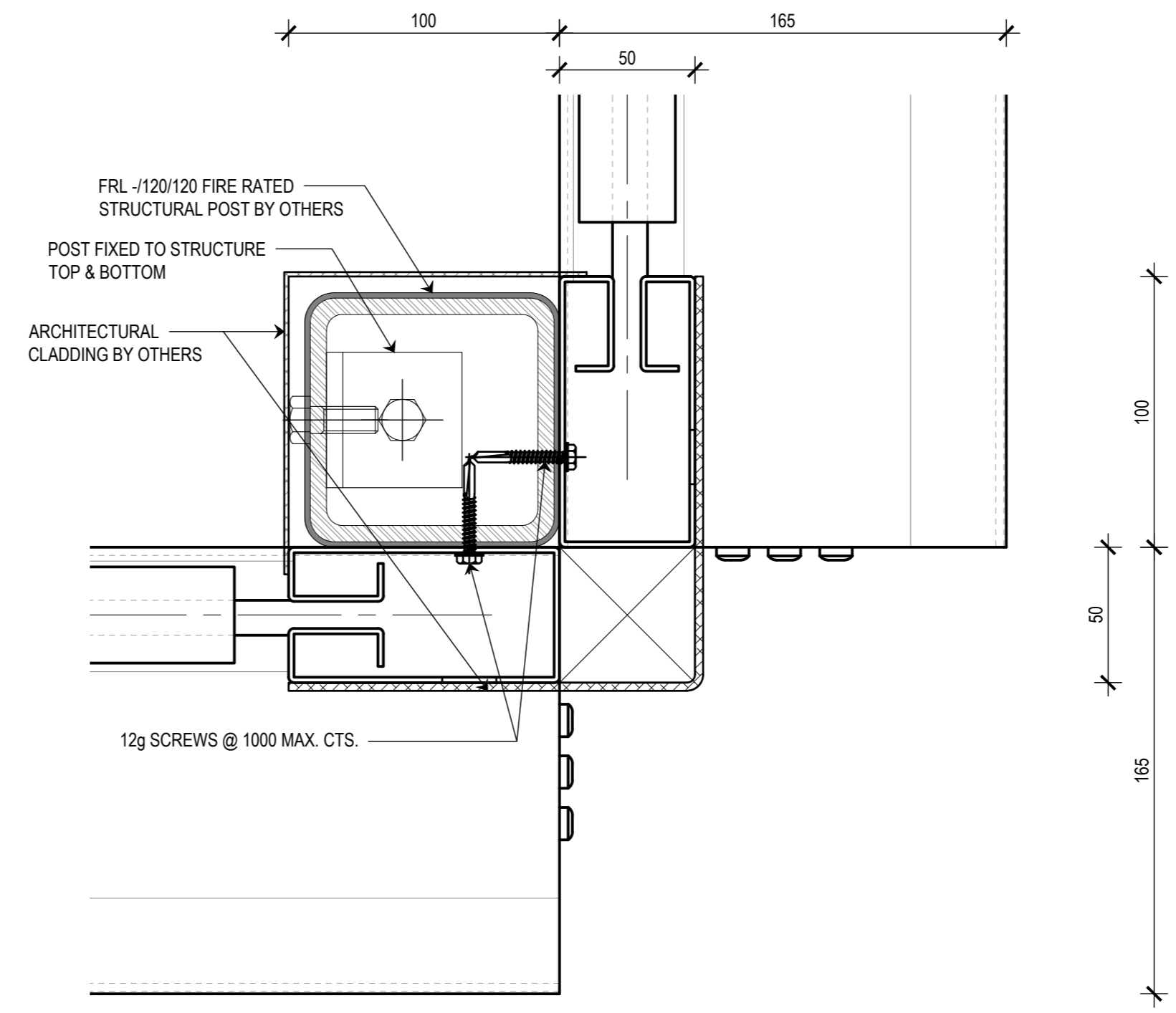


12g SCREWS OR  
Ø8 DYNABOLTS  
@ 1000 MAX CTS.

**2** PLAN  
**REBATED SIDE GUIDE**  
SCALE 1:2 @ A2



**3** PLAN  
**FACE FIXED SIDE GUIDE**  
SCALE 1:5 @ A2



12g SCREWS @ 1000 MAX. CTS.

**4** PLAN  
**90° POST DETAIL**  
SCALE 1:5 @ A2

THIS DRAWING IS COPYRIGHT AND THE PROPERTY OF THE AUTHOR, AND MUST NOT BE RETAINED, COPIED OR USED WITHOUT THE AUTHORITY OF SMOKE CONTROL SYSTEMS PTY. LTD.  
DO NOT SCALE FROM DRAWING. USE PROVIDED DIMENSIONS ONLY.  
ALL DISCREPANCIES MUST BE BROUGHT TO THE ATTENTION OF AUTHOR.  
SMOKE CONTROL SYSTEMS DO NOT TAKE RESPONSIBILITY OF MEASUREMENTS PROVIDED BY OTHERS.

CHK	REASON	DATE
- AC	RELEASED	04/09/2020
B BK	RELEASED	04/10/2022

**DISCLAIMER**

INFORMATION GIVEN IN SMOKECONTROL.COM.AU AND PUBLICATIONS FOR DOWNLOAD ARE GIVEN TO THE BEST OF OUR KNOWLEDGE AND IN GOOD FAITH. SMOKE CONTROL IS NOT RESPONSIBLE IF RECIPIENTS OF TEST REPORTS, ASSESSMENTS OR LITERATURE MISINTERPRET THE CONTENTS AND WRONGLY USE PRODUCTS BASED ON THOSE MISINTERPRETATIONS. NO LIABILITY IS ACCEPTED FOR ERROR OMISSIONS IN THIS WEB SITE OR OUR DOCUMENTS. IN THE INTERESTS OF IMPROVEMENTS AND CONTINUED DEVELOPMENT SMOKE CONTROL RESERVES THE RIGHT TO CHANGE SPECIFICATION WITHOUT NOTICE.

**INFORMATION COPY ONLY**



WWW.SMOKECONTROL.COM.AU  
WWW.SMOKECONTROL.CO.NZ  
WWW.SMOKECONTROL.COM  
AUSTRALIAN HEADOFFICE PHONE: 1300 665 471  
NEW ZEALAND PHONE: 09 300 1980  
INFO@SMOKECONTROL.COM.AU INFO@SMOKECONTROL.CO.NZ

PROJECT  
**SCS-FH**  
FYREHALT FIRE CURTAIN

CLIENT

TITLE  
SIDE GUIDE INSTALLATION TYPES

SUB SET (CATEGORY)  
**02 - DETAILS**

DRAWING NUMBER  
**SCS-FH-0202**

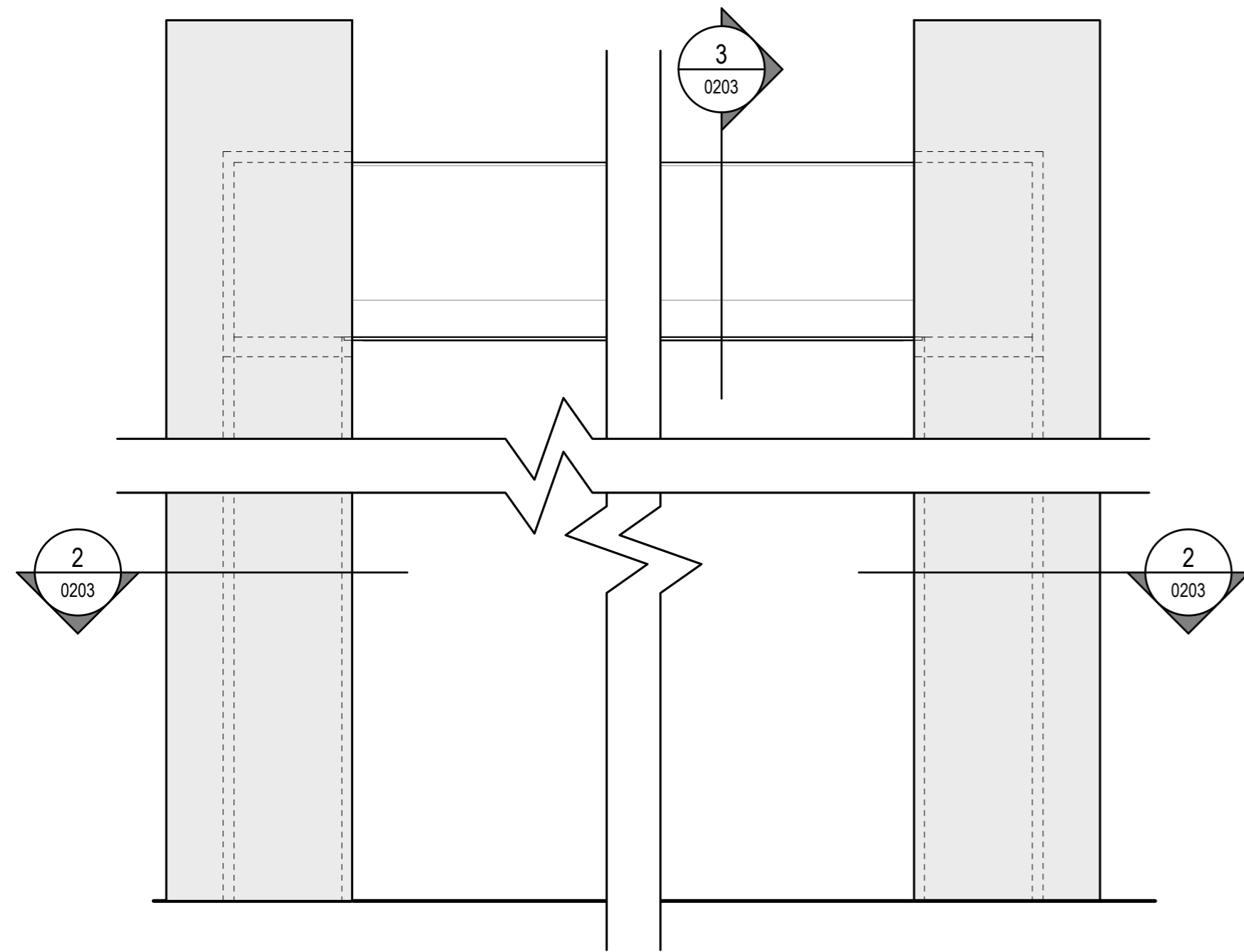
DRAWN BY I.A. ISSUE STATUS: INFORMATION ONLY

START DATE 24/08/2020 SCALE AS SHOWN @A2

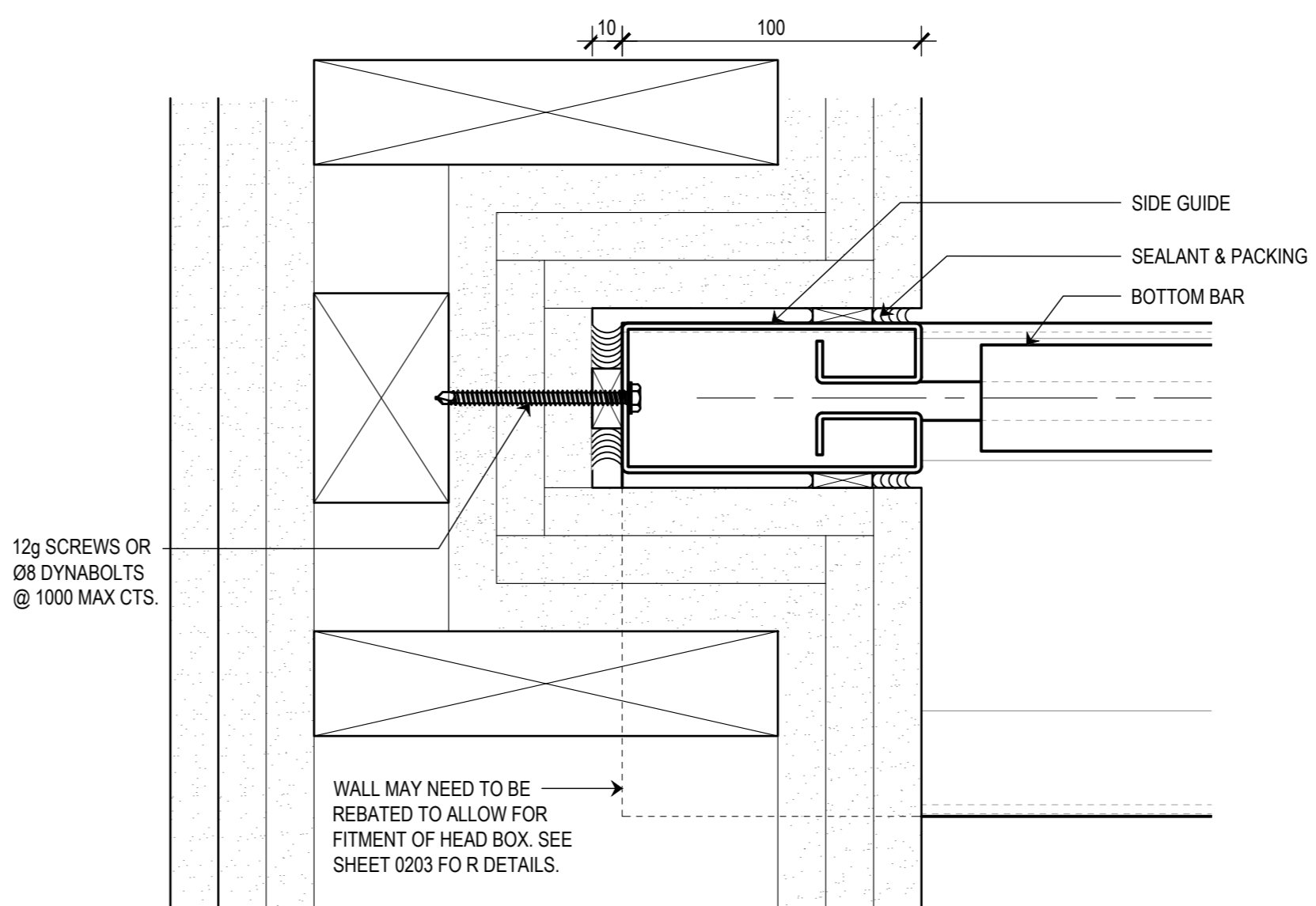
FILE: SCS-FH.dwg -- PLOTTED ON 04/10/2022 BY FARZANA MAHMUD

<<< 594mm

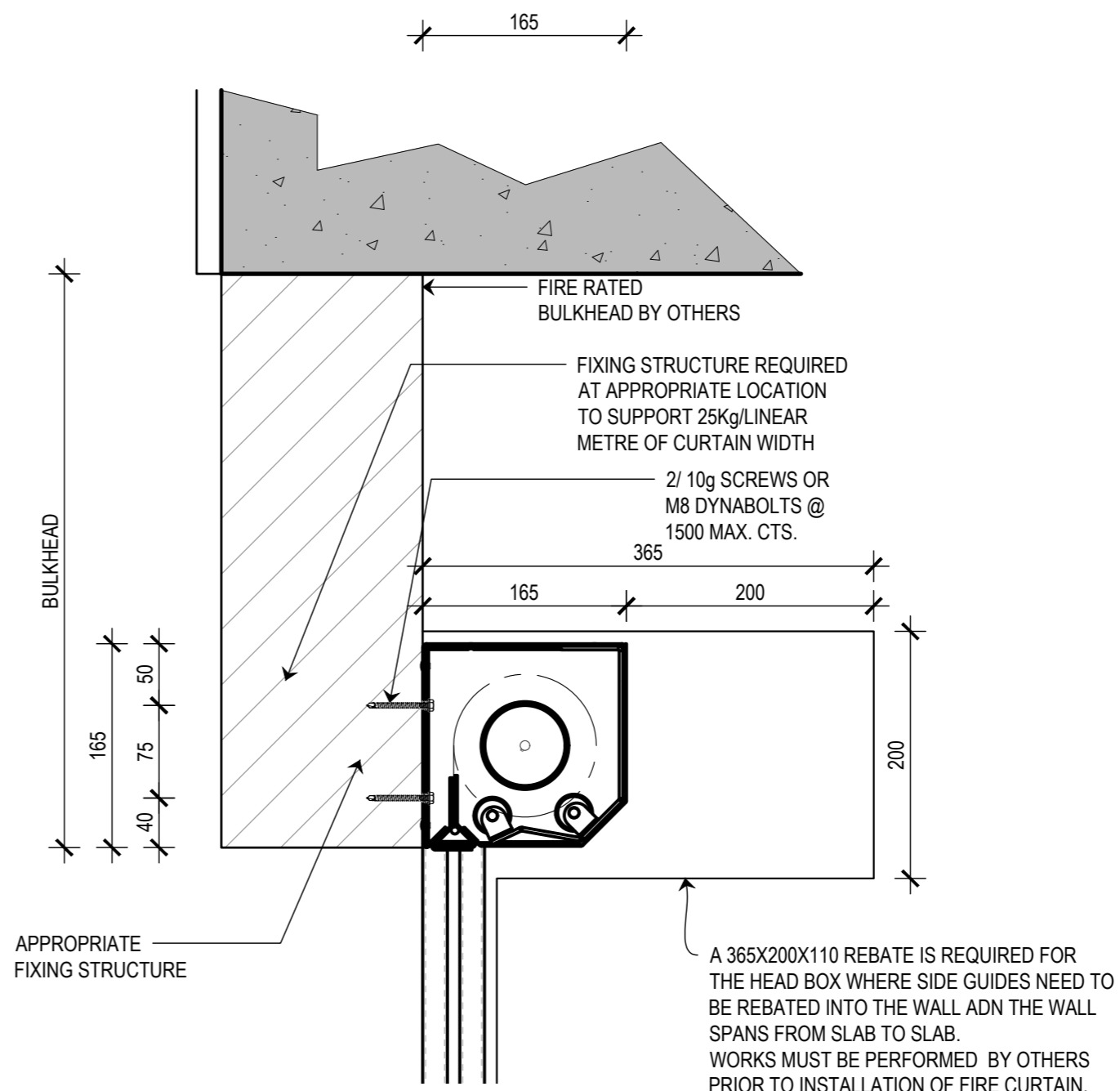




**1** FRONT ELEVATION  
FYREHALT FIRE CURTAIN - REBATED  
SCALE 1:5 @ A2



**2** PLAN  
REBATED SIDE GUIDE  
SCALE 1:2 @ A2



**3** ELEVATION  
REBATED DETAIL  
SCALE 1:5 @ A2

THIS DRAWING IS COPYRIGHT AND THE PROPERTY OF THE AUTHOR, AND MUST NOT BE RETAINED, COPIED OR USED WITHOUT THE AUTHORITY OF SMOKE CONTROL SYSTEMS PTY. LTD.  
DO NOT SCALE FROM DRAWING. USE PROVIDED DIMENSIONS ONLY.  
ALL DISCREPANCIES MUST BE BROUGHT TO THE ATTENTION OF AUTHOR.  
SMOKE CONTROL SYSTEMS DO NOT TAKE RESPONSIBILITY OF MEASUREMENTS PROVIDED BY OTHERS.

CHK	REASON	DATE
- AC	RELEASED	04/09/2020
B BK	RELEASED	04/10/2022

**DISCLAIMER**

INFORMATION GIVEN IN SMOKECONTROL.COM.AU AND PUBLICATIONS FOR DOWNLOAD ARE GIVEN TO THE BEST OF OUR KNOWLEDGE AND IN GOOD FAITH. SMOKE CONTROL IS NOT RESPONSIBLE IF RECIPIENTS OF TEST REPORTS, ASSESSMENTS OR LITERATURE MISINTERPRET THE CONTENTS AND WRONGLY USE PRODUCTS BASED ON THOSE MISINTERPRETATIONS. NO LIABILITY IS ACCEPTED FOR ERROR OMISSIONS IN THIS WEB SITE OR OUR DOCUMENTS. IN THE INTERESTS OF IMPROVEMENTS AND CONTINUED DEVELOPMENT SMOKE CONTROL RESERVES THE RIGHT TO CHANGE SPECIFICATION WITHOUT NOTICE.

**INFORMATION COPY ONLY**



WWW.SMOKECONTROL.COM.AU  
WWW.SMOKECONTROL.CO.NZ  
WWW.SMOKECONTROL.COM  
AUSTRALIAN HEADOFFICE PHONE: 1300 665 471  
NEW ZEALAND PHONE: 09 300 1980  
INFO@SMOKECONTROL.COM.AU INFO@SMOKECONTROL.CO.NZ

PROJECT  
SCS-FH  
FYREHALT FIRE CURTAIN

CLIENT

TITLE  
HEAD BOX AND SIDE GUIDE  
REBATE DETAIL

SUB SET (CATEGORY)  
**02 - DETAILS**

DRAWING NUMBER  
**SCS-FH-0203**

ISSUE STATUS:  
INFORMATION ONLY

SCALE  
AS SHOWN @A2

FILE: SCS-FH.dwg --- PLOTTED ON 04/10/2022 BY FARZANA MAHMUD

<<< mm 47