

SCS PROJECT:
E60I30 VISIONEERING DOUBLE DOOR



DRAWING INDEX		
SHEET	DESCRIPTION	REV
00	SPECIFICATIONS	
0001	COVER SHEET	D
0002	DOUBLE DOOR	C
0003	DETAIL	D

No	DESCRIPTION	REQUIREMENT	RESPONSIBILITY
1	WORKS DONE BY OTHERS	ALL DETAILS PERTAINING TO WORK BY OTHERS IS AN ADVISEMENT ONLY AND IT IS THE RESPONSIBILITY OF THE SUPPLIER AND INSTALLER OF THE ITEM/S TO CONFIRM COMPLIANCE TO ITS SUITABILITY FOR THE PURPOSE AND TO CERTIFY ITS COMPLIANCE TO THE REQUIRED FRL TO THE SATISFACTION OF THE FE OR CERTIFIER.	BUILDER, ARCHITECT, OTHER TRADES
2	SHOP DRAWINGS	APPROVAL OF SHOP DRAWINGS (SIGNITURE AND DATE) IS REQUIRED TO BE RETURNED TO SMOKE CONTROL SYSTEMS BEFORE MANUFACTURE CAN COMMENCE.	BUILDER, ARCHITECT
3	DELIVERIES TO SITE	IF REQD, FORKLIFT TO BE MADE AVAILABLE.	BUILDER
4	VERTICAL MOVEMENT OF PRODUCT	IF REQD, CRANE SHALL BE AVAILABLE TO SMOKE CONTROL SYSTEMS AT AGREED TIME OF DELIVERY. IF THIS IS NOT AVAILABLE, THIS MAY INCUR EXTRA CHARGES.	BUILDER
5	STORAGE	SUFFICIENT CLEAR FLOOR SPACE TO BE MADE AVAILABLE IMMEDIATELY ADJACENT TO EACH INSTALLATION LOCATION.	BUILDER
6	ACCESS TO WORKFACE (INSTALLATION)	ADEQUATE WORKING AREA REQD., MIN 500mm FROM SYSTEM TO STRUCTURE IS IDEAL. SUBJECT TO SITE CONDITIONS.	BUILDER
7	STRUCTURAL OPENINGS	SUITABLY PREPARED STRUCTURAL OPENING, FREE OF OBSTRUCTIONS AND CAPABLE OF RECEIVING OUR STANDARD FIXING TYPE AND SPACING REQUIREMENTS MUST BE PROVIDED BY OTHERS AND READY FOR US PRIOR TO OUR ARRIVAL ON SITE OTHERWISE PRICE WILL VARY.	BUILDER
8	WALL PREPERATION	FLASHINGS AND ASSOCIATED WEATHERPROOFING BY OTHERS.	BUILDER
9	CERTIFICATON	WITNESS TESTING, FINAL COMMISSIONING & HANDOVER	SMOKE CONTROL SYSTEMS

- THIS DRAWING IS COPYRIGHT AND THE PROPERTY OF THE AUTHOR, AND MUST NOT BE RETAINED, COPIED OR USED WITHOUT THE AUTHORITY OF SMOKE CONTROL SYSTEMS PTY. LTD.
- DO NOT SCALE FROM DRAWING. USE PROVIDED DIMENSIONS ONLY.
- ALL DISCREPANCIES MUST BE BROUGHT TO THE ATTENTION OF AUTHOR.
- SMOKE CONTROL SYSTEMS DO NOT TAKE RESPONSIBILITY OF MEASUREMENTS PROVIDED BY OTHERS.

CHK	REASON	DATE
- AM	FOR APPROVAL	16/03/2021
B JR	FOR APPROVAL	07/10/2021
C JR	FOR APPROVAL	15/06/2022
D JR	FOR APPROVAL	23/06/2022

DISCLAIMER

INFORMATION GIVEN IN SMOKECONTROL.COM.AU AND PUBLICATIONS FOR DOWNLOAD ARE GIVEN TO THE BEST OF OUR KNOWLEDGE AND IN GOOD FAITH. SMOKE CONTROL IS NOT RESPONSIBLE IF RECIPIENTS OF TEST REPORTS, ASSESSMENTS OR LITERATURE MISINTERPRET THE CONTENTS AND WRONGLY USE PRODUCTS BASED ON THOSE MISINTERPRETATIONS. NO LIABILITY IS ACCEPTED FOR ERROR OMISSIONS IN THIS WEB SITE OR OUR DOCUMENTS. IN THE INTERESTS OF IMPROVEMENTS AND CONTINUED DEVELOPMENT SMOKE CONTROL RESERVES THE RIGHT TO CHANGE SPECIFICATION WITHOUT NOTICE.

INFORMATION COPY ONLY



WWW.SMOKECONTROL.COM.AU
WWW.SMOKECONTROL.CO.NZ
WWW.SMOKECONTROL.COM
AUSTRALIAN HEADOFFICE PHONE: 1300 665 471
NEW ZEALAND PHONE: 09 300 1980
INFO@SMOKECONTROL.COM.AU INFO@SMOKECONTROL.CO.NZ

PROJECT
E60I30
VISIONEERING DOUBLE DOOR

CLIENT

TITLE
COVER SHEET

SUB SET (CATEGORY)
00 - SPECIFICATIONS

DRAWING NUMBER
E60I30-0001

DRAWN BY
O.K

ISSUE STATUS:
INFORMATION ONLY

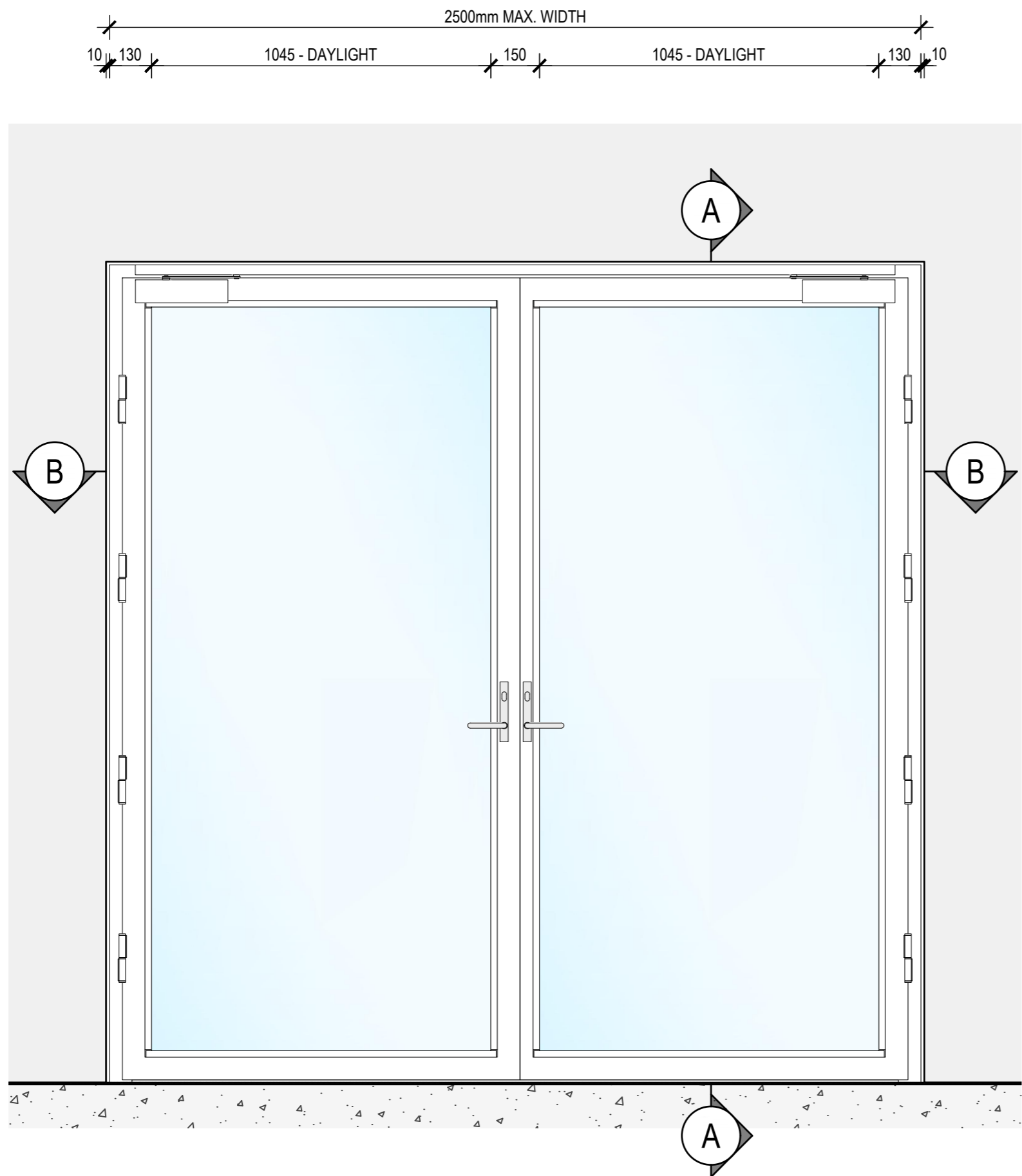
SCALE
AS SHOWN @A2

SYSTEM	COMPONENT	MATERIALS	FRL	COLOUR/FINISH
DOUBLE DOOR	FRAME	GALVANISED STEEL	-/60/30 AS1530.4	FRAME
	BEAD	GALVANISED STEEL		BEAD
	GLASS	20MM INSULATED (INTERNAL) 40-42 MM INSULATED (EXTERNAL)		GLASS
				DULUX DURALLOY COLOUR TBA WILL COME IN RAW FINISH IF COLOUR IS NOT PROVIDED BY CLIENT
				CLEAR

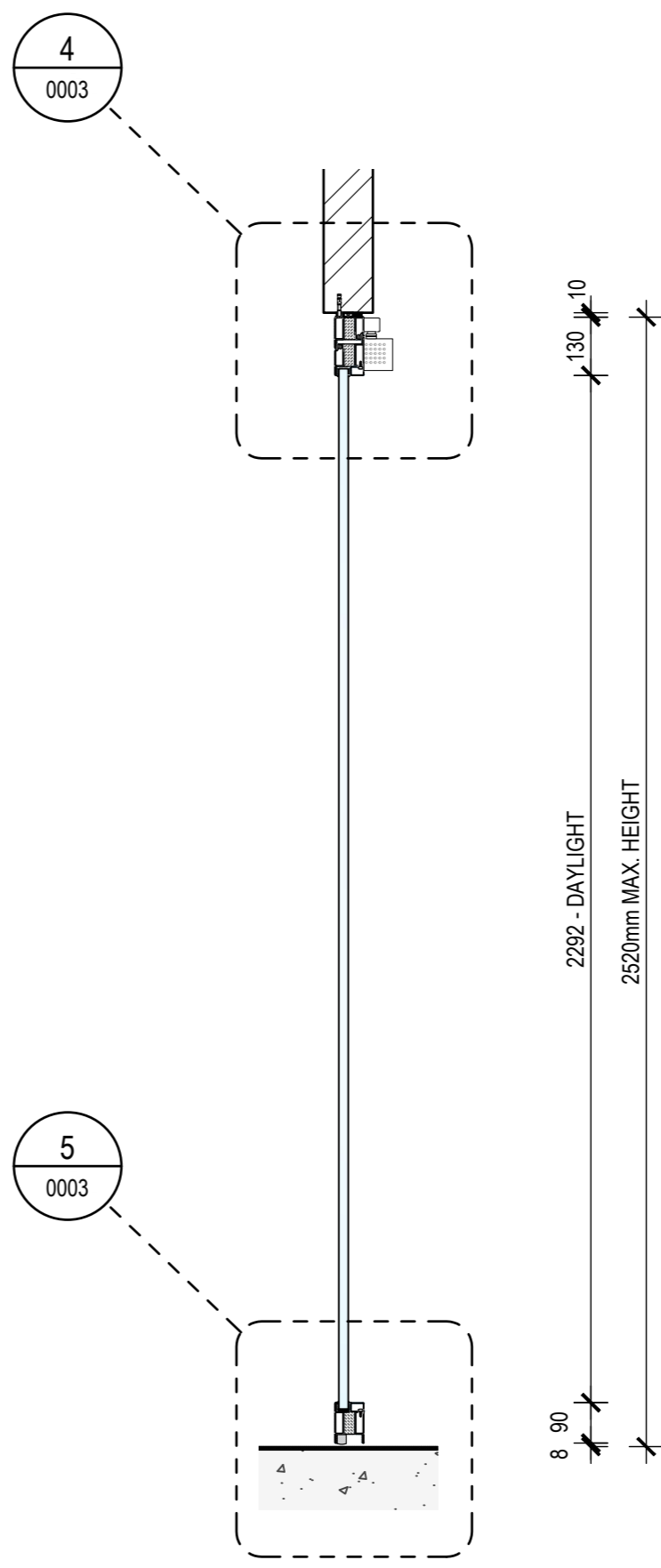
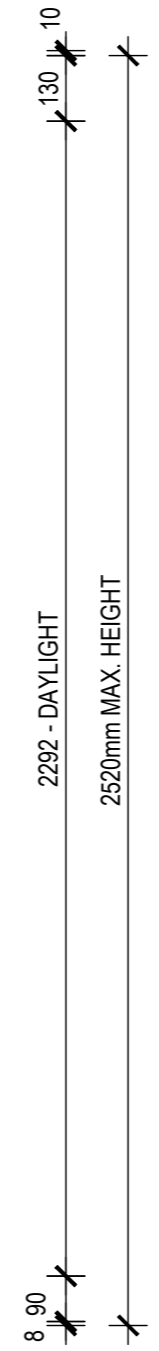
PRODUCT SPECIFICATIONS

FILE: DOUBLE DOOR.dwg -- PLOTTED ON 23/06/2022 BY FARZANA MAHMUD

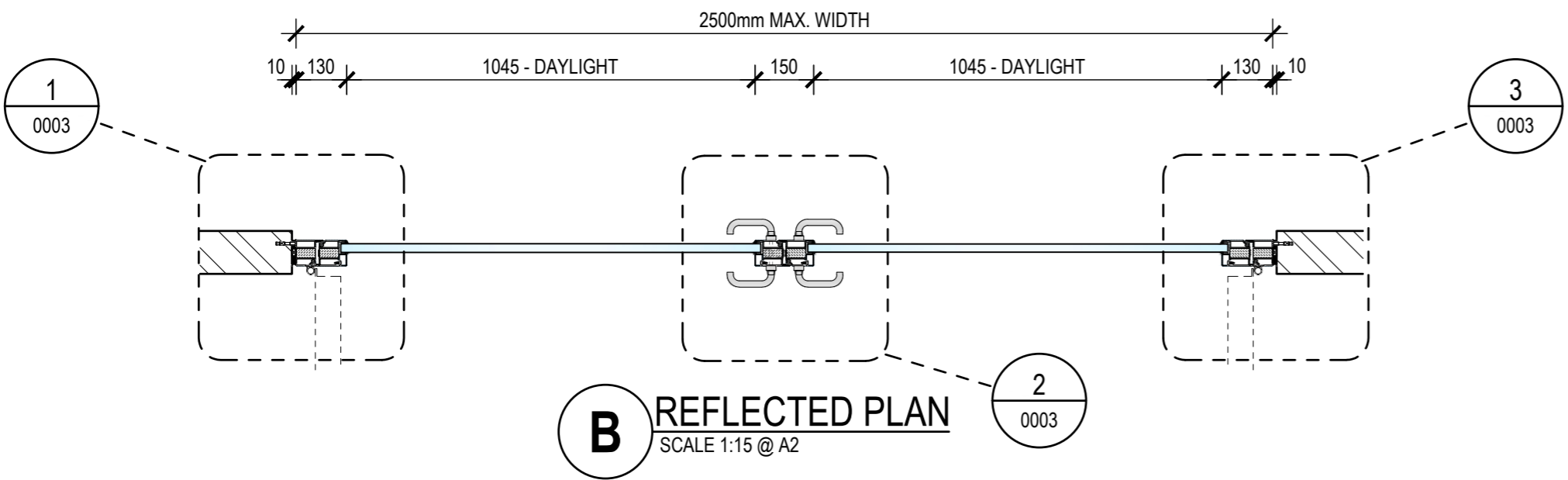
<<< mm027



1 FRONT ELEVATION
DOUBLE DOOR
SCALE 1:15 @ A2



A SECTION VIEW
SCALE 1:15 @ A2



B REFLECTED PLAN
SCALE 1:15 @ A2

THIS DRAWING IS COPYRIGHT AND THE PROPERTY OF THE AUTHOR, AND MUST NOT BE RETAINED, COPIED OR USED WITHOUT THE AUTHORITY OF SMOKE CONTROL SYSTEMS PTY. LTD.
DO NOT SCALE FROM DRAWING. USE PROVIDED DIMENSIONS ONLY.
ALL DISCREPANCIES MUST BE BROUGHT TO THE ATTENTION OF AUTHOR.
SMOKE CONTROL SYSTEMS DO NOT TAKE RESPONSIBILITY OF MEASUREMENTS PROVIDED BY OTHERS.

CHK	REASON	DATE
- AM	FOR APPROVAL	16/03/2021
B JR	FOR APPROVAL	07/10/2021
C JR	FOR APPROVAL	15/06/2022

DISCLAIMER

INFORMATION GIVEN IN SMOKECONTROL.COM.AU AND PUBLICATIONS FOR DOWNLOAD ARE GIVEN TO THE BEST OF OUR KNOWLEDGE AND IN GOOD FAITH. SMOKE CONTROL IS NOT RESPONSIBLE IF RECIPIENTS OF TEST REPORTS, ASSESSMENTS OR LITERATURE MISINTERPRET THE CONTENTS AND WRONGLY USE PRODUCTS BASED ON THOSE MISINTERPRETATIONS. NO LIABILITY IS ACCEPTED FOR ERROR OMISSIONS IN THIS WEB SITE OR OUR DOCUMENTS. IN THE INTERESTS OF IMPROVEMENTS AND CONTINUED DEVELOPMENT SMOKE CONTROL RESERVES THE RIGHT TO CHANGE SPECIFICATION WITHOUT NOTICE.

INFORMATION COPY ONLY



WWW.SMOKECONTROL.COM.AU
WWW.SMOKECONTROL.CO.NZ
WWW.SMOKECONTROL.COM
AUSTRALIAN HEADOFFICE PHONE: 1300 665 471
NEW ZEALAND PHONE: 09 300 1980
INFO@SMOKECONTROL.COM.AU INFO@SMOKECONTROL.CO.NZ

PROJECT
E60I30
VISIONEERING DOUBLE DOOR

CLIENT

TITLE
DOUBLE DOOR

SUB SET (CATEGORY)
00 - SPECIFICATIONS

DRAWING NUMBER
E60I30-0002

ISSUE STATUS:
O.K INFORMATION ONLY

START DATE
16/03/2021

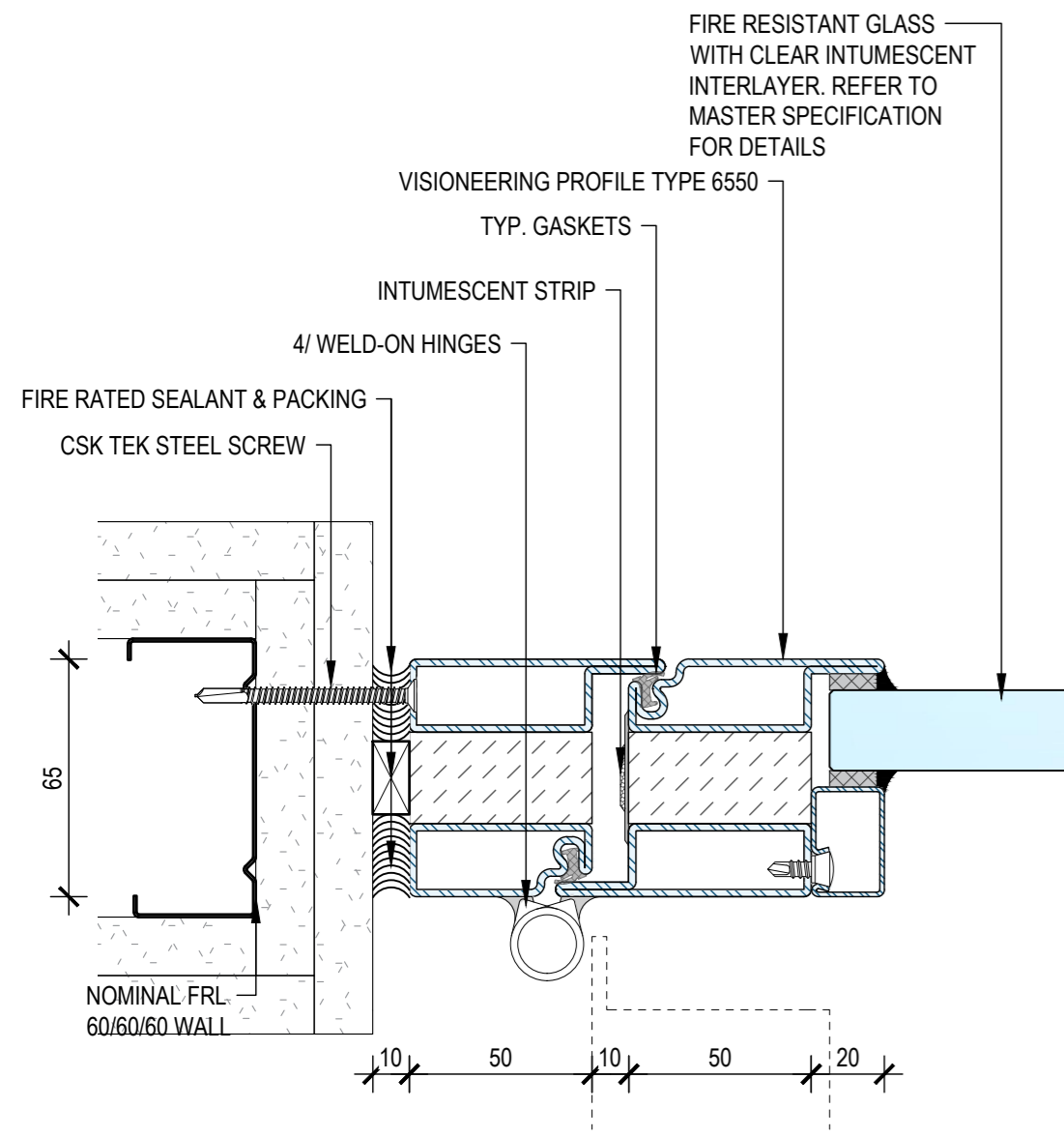
SCALE
AS SHOWN @A2

FILE: DOUBLE DOOR.dwg --- PLOTTED ON 23/06/2022 BY FARZANA MAHMUD

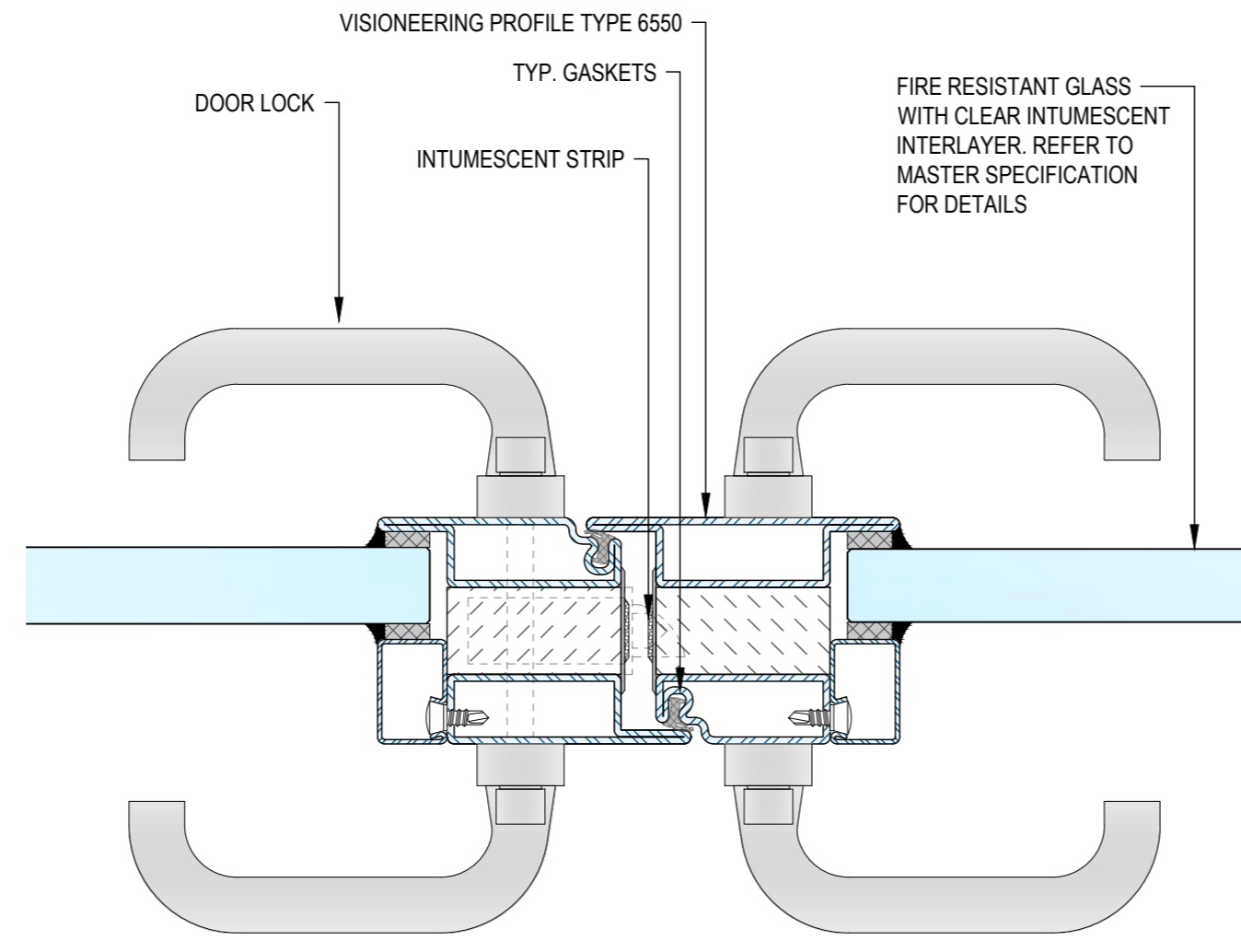
<<< 594mm

THIS DRAWING IS COPYRIGHT AND THE PROPERTY OF THE AUTHOR, AND MUST NOT BE RETAINED, COPIED OR USED WITHOUT THE AUTHORITY OF SMOKE CONTROL SYSTEMS PTY. LTD.
 DO NOT SCALE FROM DRAWING. USE PROVIDED DIMENSIONS ONLY.
 ALL DISCREPANCIES MUST BE BROUGHT TO THE ATTENTION OF AUTHOR.
 SMOKE CONTROL SYSTEMS DO NOT TAKE RESPONSIBILITY OF MEASUREMENTS PROVIDED BY OTHERS.

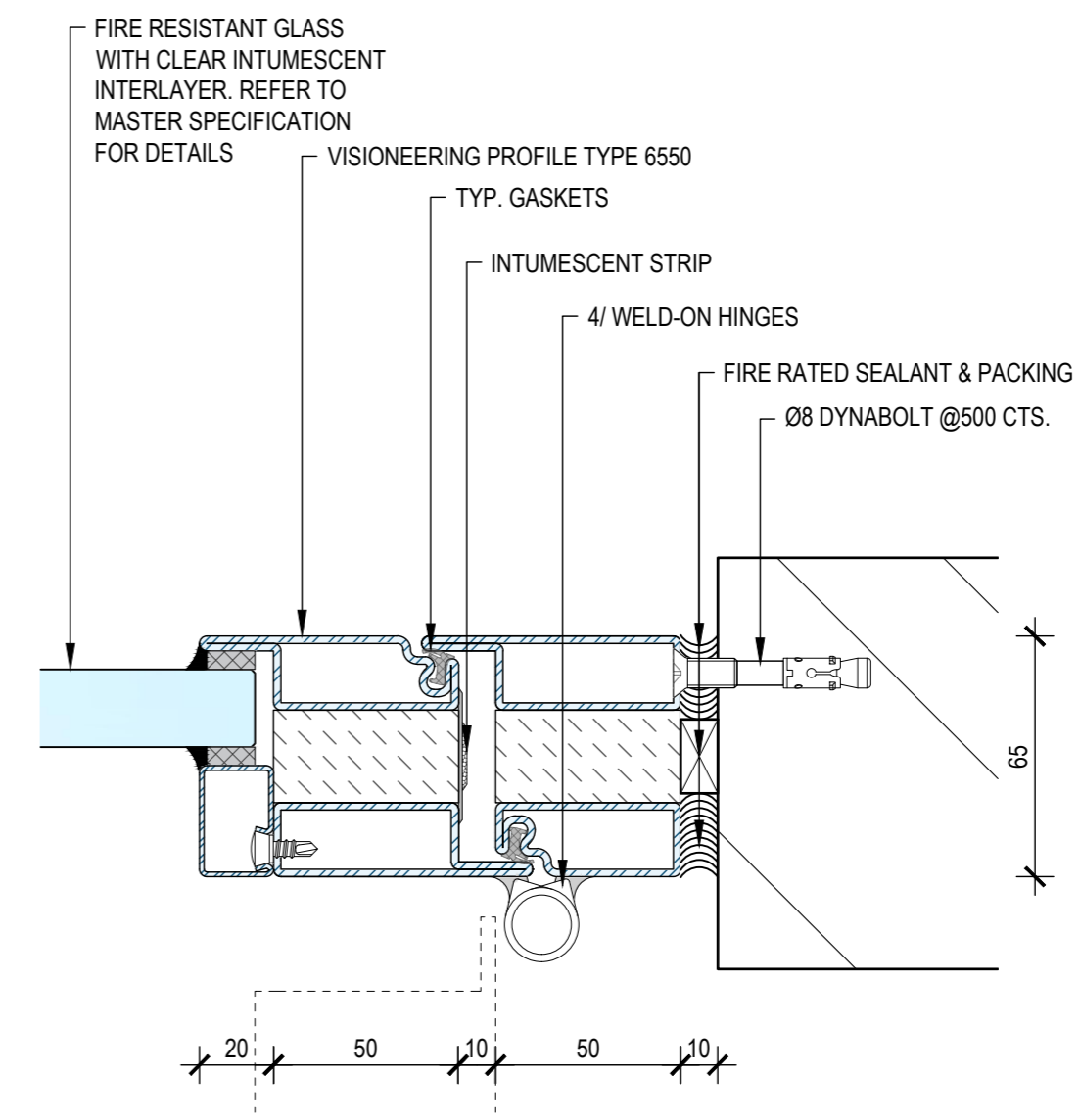
REV	CHK	REASON	DATE
-	AM	FOR APPROVAL	10/08/2020
B	JR	FOR APPROVAL	07/10/2021
C	JR	FOR APPROVAL	15/06/2022
D	JR	FOR APPROVAL	23/06/2022



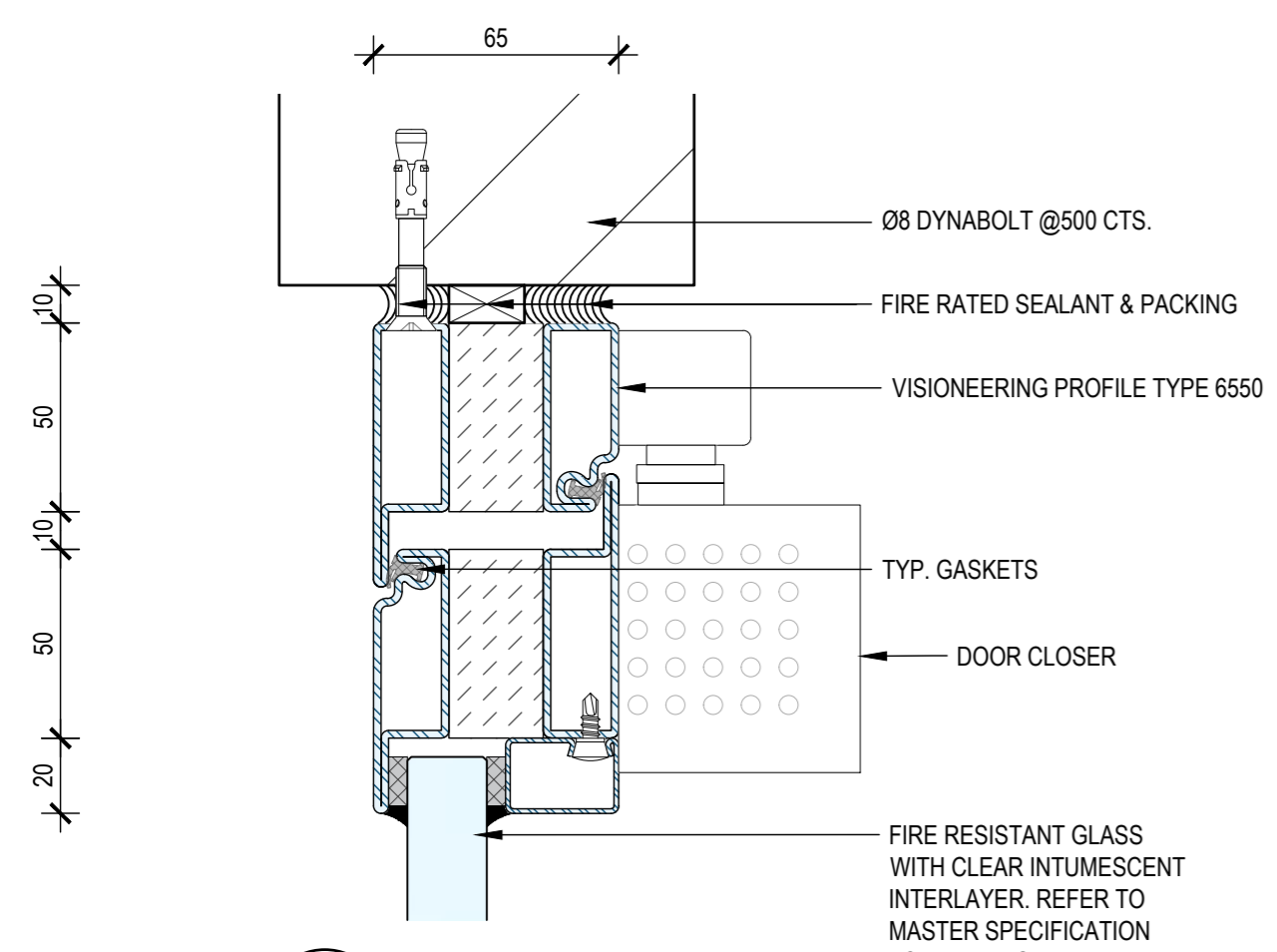
1 DOOR JAMB DETAIL
SCALE 1:2 @ A2



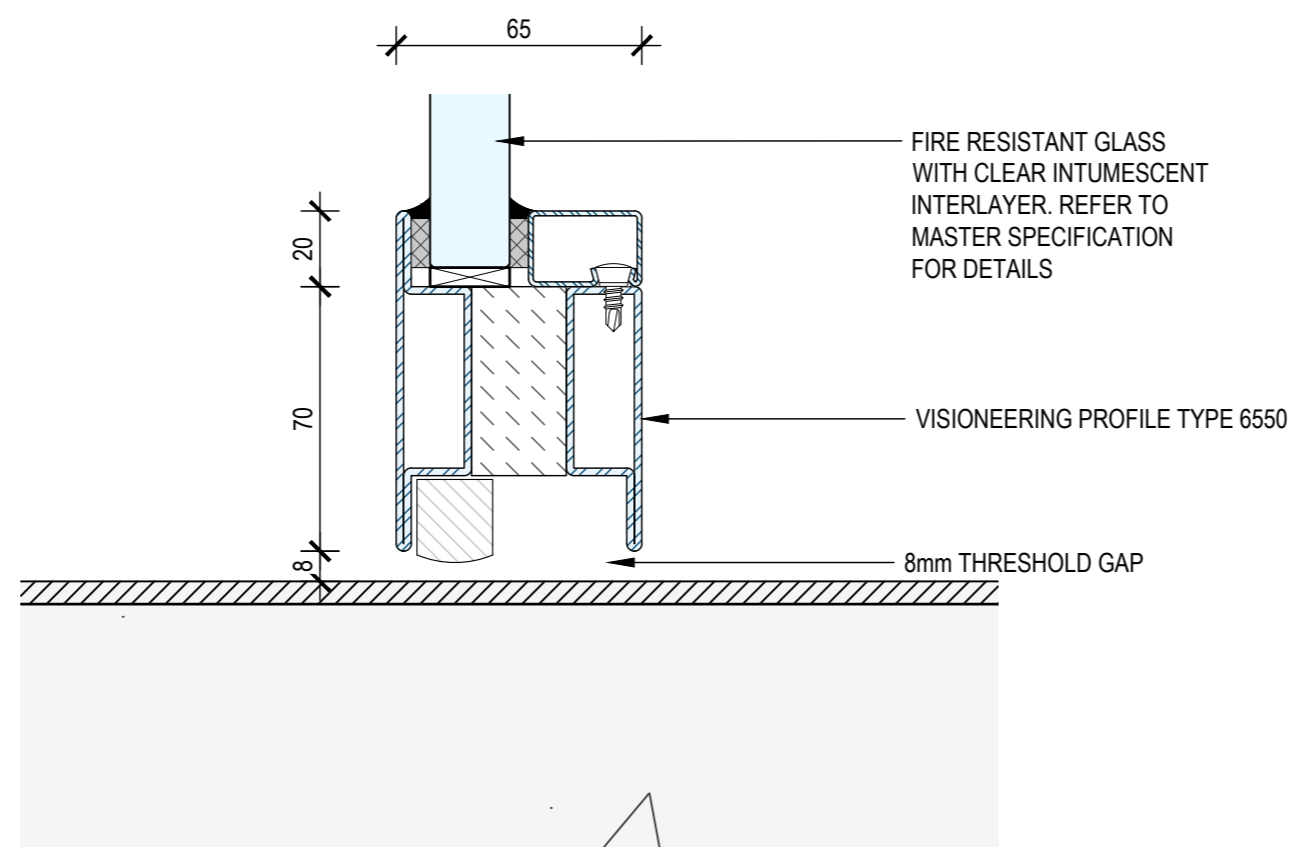
2 MULLION DETAIL
SCALE 1:2 @ A2



3 DOOR JAMB DETAIL
SCALE 1:2 @ A2



4 DOOR HEAD DETAIL
SCALE 1:2 @ A2



5 DOOR SILL DETAIL
SCALE 1:2 @ A2

DISCLAIMER
 INFORMATION GIVEN IN SMOKECONTROL.COM.AU AND PUBLICATIONS FOR DOWNLOAD ARE GIVEN TO THE BEST OF OUR KNOWLEDGE AND IN GOOD FAITH. SMOKE CONTROL IS NOT RESPONSIBLE IF RECIPIENTS OF TEST REPORTS, ASSESSMENTS OR LITERATURE MISINTERPRET THE CONTENTS AND WRONGLY USE PRODUCTS BASED ON THOSE MISINTERPRETATIONS. NO LIABILITY IS ACCEPTED FOR ERROR OMISSIONS IN THIS WEB SITE OR OUR DOCUMENTS. IN THE INTERESTS OF IMPROVEMENTS AND CONTINUED DEVELOPMENT SMOKE CONTROL RESERVES THE RIGHT TO CHANGE SPECIFICATION WITHOUT NOTICE.

INFORMATION COPY ONLY

WWW.SMOKECONTROL.COM.AU
 WWW.SMOKECONTROL.CO.NZ
 WWW.SMOKECONTROL.COM

AUSTRALIAN HEADOFFICE PHONE: 1300 665 471
 NEW ZEALAND PHONE: 09 300 1980
 INFO@SMOKECONTROL.COM.AU INFO@SMOKECONTROL.CO.NZ

PROJECT
E60I30
 VISIONEERING DOUBLE DOOR

CLIENT

TITLE
DETAIL

SUB SET (CATEGORY)
00 - SPECIFICATIONS

DRAWING NUMBER
E60I30-0003

DRAWN BY
 O.K

ISSUE STATUS:
 INFORMATION ONLY

START DATE
 16/03/2021

SCALE
 AS SHOWN @A2

FILE: DOUBLE DOOR.dwg --- PLOTTED ON 23/06/2022 BY FARZANA MAHMUD

<<< mm027

<<< 594mm