

# SCS PROJECT: FIBERSHIELD I -/60/60 STANDARD TEMPLATE



DRAWING INDEX		
SHEET	DESCRIPTION	REV
00 - SPECIFICATIONS		
0001	COVER SHEET	-
01 - FIRE CURTAINS		
0101	FIBERSHIELD I -/60/60 (LARGE HEADBOX)	-
0102	FIBERSHIELD I -/60/60 (SMALL HEADBOX)	-

No	DESCRIPTION	REQUIREMENT	RESPONSIBILITY
1	WORKS DONE BY OTHERS	ALL DETAILS PERTAINING TO WORK BY OTHERS IS AN ADVISEMENT ONLY AND IT IS THE RESPONSIBILITY OF THE SUPPLIER AND INSTALLER OF THE ITEM/S TO CONFIRM COMPLIANCE TO ITS SUITABILITY FOR THE PURPOSE AND TO CERTIFY ITS COMPLIANCE TO THE REQUIRED FRL TO THE SATISFACTION OF THE FE OR CERTIFIER.	BUILDER, ARCHITECT, OTHER TRADES
2	SHOP DRAWINGS	APPROVAL OF SHOP DRAWINGS (SIGNATURE AND DATE) IS REQUIRED TO BE RETURNED TO SMOKE CONTROL SYSTEMS BEFORE MANUFACTURE CAN COMMENCE.	BUILDER, ARCHITECT
3	DELIVERIES TO SITE	IF REQD, FORKLIFT TO BE MADE AVAILABLE.	BUILDER
4	VERTICAL MOVEMENT OF PRODUCT	IF REQD, CRANE SHALL BE AVAILABLE TO SMOKE CONTROL SYSTEMS AT AGREED TIME OF DELIVERY. IF THIS IS NOT AVAILABLE, THIS MAY INCUR EXTRA CHARGES.	BUILDER
5	STORAGE	SUFFICIENT CLEAR FLOOR SPACE TO BE MADE AVAILABLE IMMEDIATELY ADJACENT TO EACH INSTALLATION LOCATION.	BUILDER
6	ACCESS TO WORKFACE (INSTALLATION)	REASONABLY ADEQUATE WORKING AREA REQD., MIN 500mm FROM SYSTEM TO STRUCTURE IS IDEAL. SUBJECT TO SITE CONDITIONS.	BUILDER
7	POSSIBLE OBSTRUCTIONS (WHERE PRESENT)	THERE MUST NOT BE ANYTHING INTERFERING WITH THE OPERATION OF CURTAIN IN ANY WAY. MIN. 100mm FROM SYSTEM TO ANY POSSIBLE OBSTRUCTION TO DROP LINE OF BOTTOM BAR IS IDEAL.	BUILDER
8	ACCESS PANELS (INSTALLATION WITHIN CEILING CAVITY)	450X450 NOM. ACCESS PANELS TO BE PROVIDED AT THE NOMINATED LOCATION OF CURTAIN CONTROLLER. MAY NOT BE REQD. WHERE REMOVABLE GRID CEILING ALLOWS FOR CLEAR ACCESS TO CURTAIN CONTROLLERS.	BUILDER, CEILING CONTRACTOR
9	POWER REQUIREMENTS	240 VOLT 10 AMP GPO TO BE LOCATED NO MORE THAN 1m AWAY FROM NOMINATED LOCATION OF CURTAIN CONTROLLERS.	BUILDER, ELECTRICAL
10	ALARM SIGNAL, ACTIVATION	0 VOLT NORMALLY CLOSED CONTACT (OPEN ON ALARM) TO BE PROVIDED WITHIN 1 METRE OF CURTAIN CONTROLLER.	BUILDER, ELECTRICAL, FIRE
11	PRESSURISATION, EXHAUST SYSTEMS	<b>IMPORTANT:</b> BALANCING TO CONSIDER AFFECTS OF CURTAINS 40 PA MAX. PRESSURE DIFFERENTIAL STRONGLY RECOMMENDED.	BULDER, MECHANICAL SERVICES
12	TUNING	ALL SCAFFOLDING & OTHER TRADES TO BE CLEAR 2 DAYS PRIOR TO TUNING & COMMISSIONING.	BUILDER
13	COMMISSIONING STAGE 1	PRACTICAL COMPLETION TESTS: PERMANENT POWER & ALARMS CONNECTED FOR DRY RUN PRIOR TO CSC. CURTAINS MUST BE ISOLATED DURING INDIVIDUAL COMMISSIONING OF OTHER ESSENTIAL SERVICES. ( <i>PRODUCT LOCKED IN OPEN POSITION AFTER TESTING</i> )	SMOKE CONTROL SYSTEMS & BUILDER
14	COMMISSIONING STAGE 2	COORDINATED SERVICES COMMISSIONING (CSC)	SMOKE CONTROL SYSTEMS
15	COMMISSIONING STAGE 3	WITNESS TESTING, FINAL COMMISSIONING & HANDOVER	SMOKE CONTROL SYSTEMS

FIBERSHIELD 60/60 FIRE CURTAIN	HEAD BOX & BOTTOM BAR	GALVANISED STEEL	-/60/60 AS1530.4	HEAD BOX	POWDER COATING IN STANDARD RAL COLOURS WILL COME IN GALVANISED FINISH IF COLOUR IS NOT PROVIDED BY CLIENT SPECIAL ORDER STAINLESS STEEL AVAILABLE
	SIDE GUIDES	GALVANISED STEEL		SIDE GUIDES	
	FABRIC	1100°C RATED		BOTTOM BAR	
SYSTEM	COMPONENT	MATERIALS	FRL	COLOUR/FINISH	
PRODUCT SPECIFICATIONS					

- THIS DRAWING IS COPYRIGHT AND THE PROPERTY OF THE AUTHOR, AND MUST NOT BE RETAINED, COPIED OR USED WITHOUT THE AUTHORITY OF SMOKE CONTROL SYSTEMS PTY. LTD.
- DO NOT SCALE FROM DRAWING, USE PROVIDED DIMENSIONS ONLY.
- ALL DISCREPANCIES MUST BE BROUGHT TO THE ATTENTION OF AUTHOR.
- SMOKE CONTROL SYSTEMS DO NOT TAKE RESPONSIBILITY OF MEASUREMENTS PROVIDED BY OTHERS.

CHK	REASON	DATE
-	AC RELEASED	31/08/2020

**DISCLAIMER**  
INFORMATION GIVEN IN SMOKECONTROL.COM.AU AND PUBLICATIONS FOR DOWNLOAD ARE GIVEN TO THE BEST OF OUR KNOWLEDGE AND IN GOOD FAITH. SMOKE CONTROL IS NOT RESPONSIBLE IF RECIPIENTS OF TEST REPORTS, ASSESSMENTS OR LITERATURE MISINTERPRET THE CONTENTS AND WRONGLY USE PRODUCTS BASED ON THOSE MISINTERPRETATIONS. NO LIABILITY IS ACCEPTED FOR ERROR OMISSIONS IN THIS WEB SITE OR OUR DOCUMENTS. IN THE INTERESTS OF IMPROVEMENTS AND CONTINUED DEVELOPMENT SMOKE CONTROL RESERVES THE RIGHT TO CHANGE SPECIFICATION WITHOUT NOTICE.

**INFORMATION  
COPY ONLY**



WWW.SMOKECONTROL.COM.AU  
WWW.SMOKECONTROL.CO.NZ  
WWW.SMOKECONTROL.COM  
AUSTRALIAN HEADOFFICE PHONE: 1300 665 471  
NEW ZEALAND PHONE: 09 300 1980  
INFO@SMOKECONTROL.COM.AU INFO@SMOKECONTROL.CO.NZ

PROJECT  
FS-EI60  
FIBERSHIELD I -/60/60 STANDARD TEMPLATE

CLIENT

TITLE  
COVER SHEET

SUB SET (CATEGORY)  
00 - SPECIFICATIONS

DRAWING NUMBER  
FS-EI60-0001

DRAWN BY  
I.A.

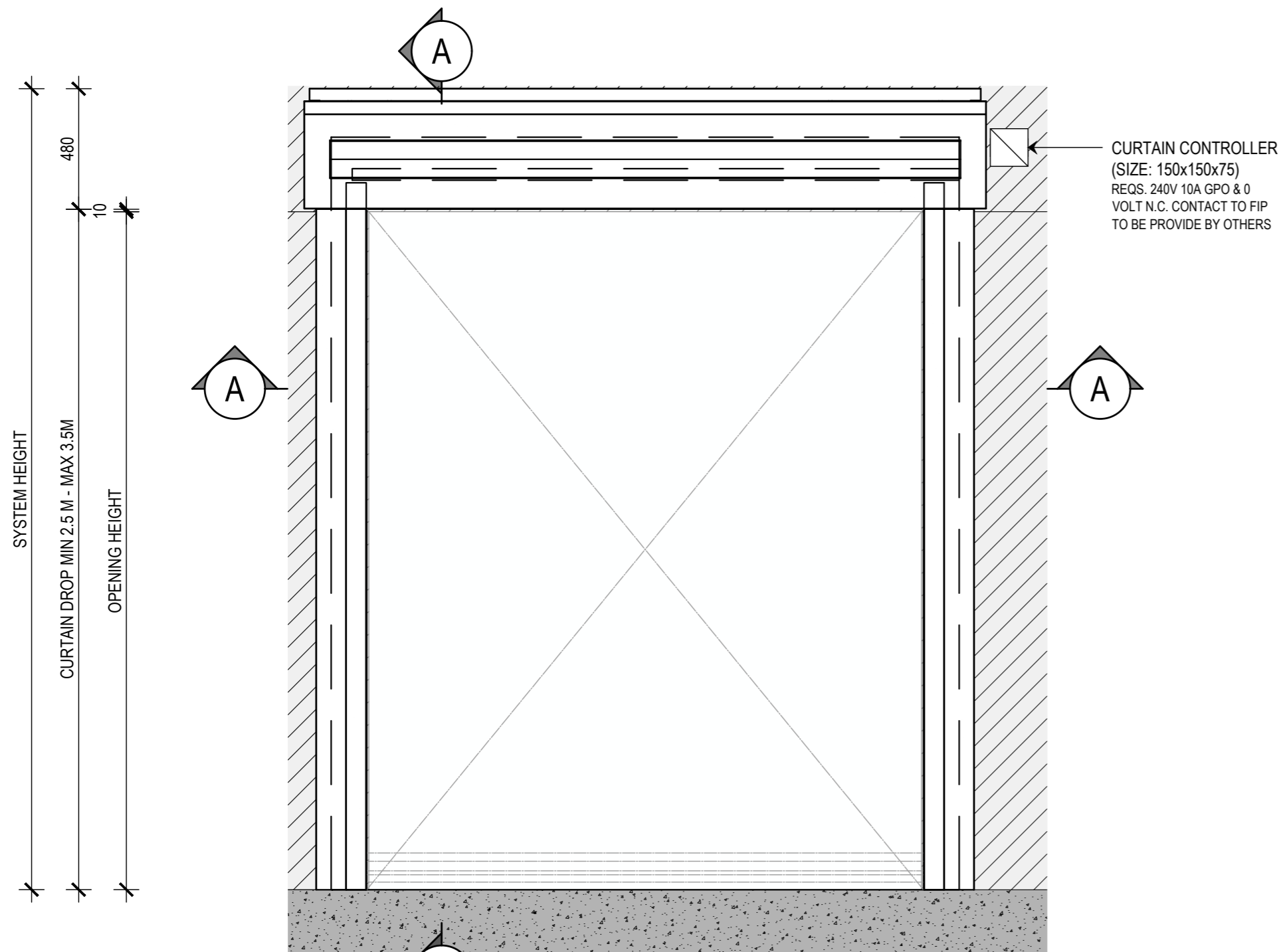
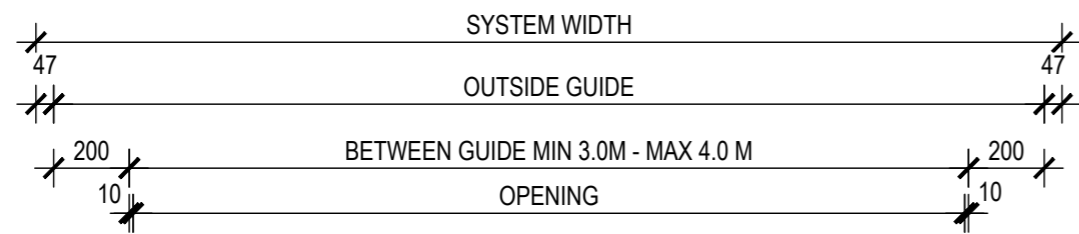
ISSUE STATUS:  
INFORMATION ONLY

START DATE  
28/08/2020

SCALE  
AS SHOWN @A2

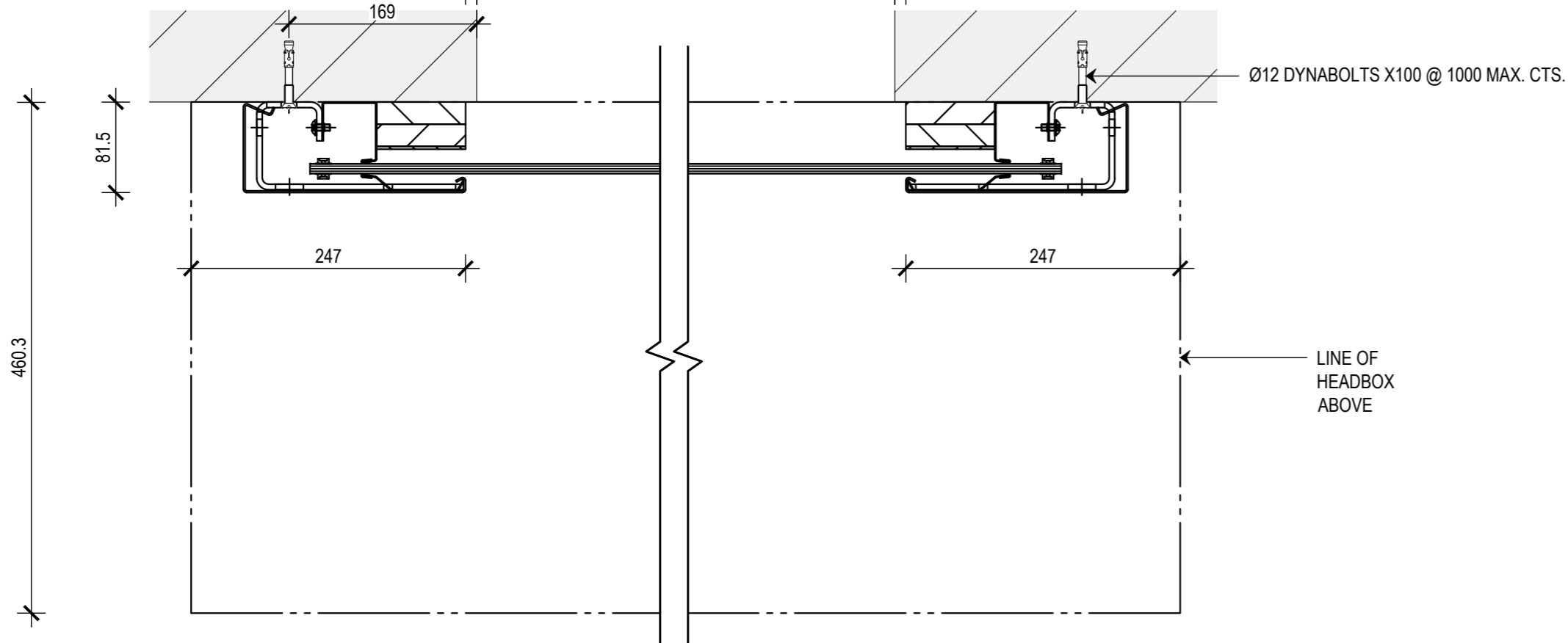
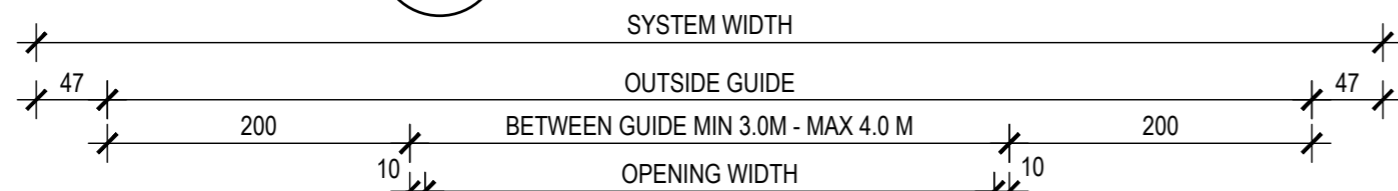
FILE: FS-EI60.dwg ... PLOTTED ON 31/08/2020 BY ISHTIAQUE ALAM

<<< 594mm

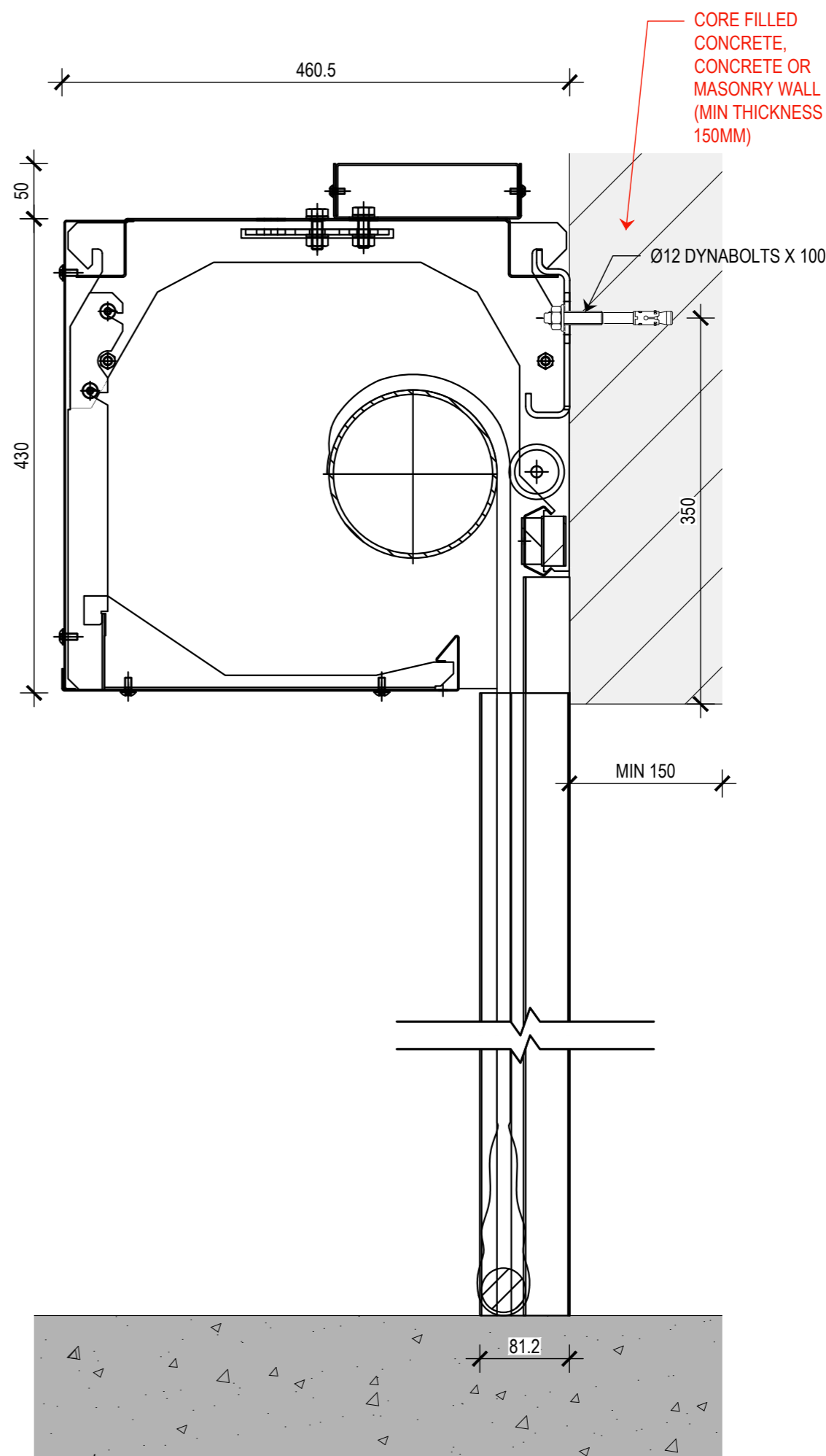
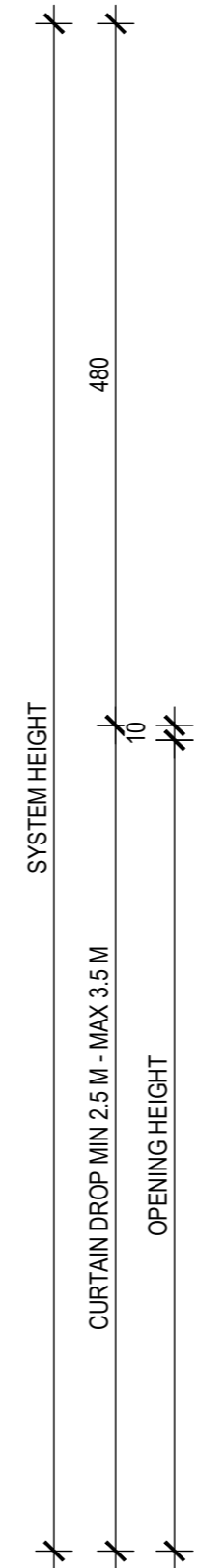


CURTAIN CONTROLLER  
(SIZE: 150x150x75)  
REQS. 240V 10A GPO & 0  
VOLT N.C. CONTACT TO FIP  
TO BE PROVIDE BY OTHERS

**1** FRONT ELEVATION  
OPENING 1  
SCALE 1:20 @ A2



**B** SECTION  
SCALE 1:5 @ A2



**A** SECTION  
SCALE 1:5 @ A2

- THIS DRAWING IS COPYRIGHT AND THE PROPERTY OF THE AUTHOR, AND MUST NOT BE RETAINED, COPIED OR USED WITHOUT THE AUTHORITY OF SMOKE CONTROL SYSTEMS PTY. LTD.
- DO NOT SCALE FROM DRAWING. USE PROVIDED DIMENSIONS ONLY.
- ALL DISCREPANCIES MUST BE BROUGHT TO THE ATTENTION OF AUTHOR.
- SMOKE CONTROL SYSTEMS DO NOT TAKE RESPONSIBILITY OF MEASUREMENTS PROVIDED BY OTHERS.

CHK	REASON	DATE
AC	RELEASED	28/08/2020

**DISCLAIMER**

INFORMATION GIVEN IN SMOKECONTROL.COM.AU AND PUBLICATIONS FOR DOWNLOAD ARE GIVEN TO THE BEST OF OUR KNOWLEDGE AND IN GOOD FAITH. SMOKE CONTROL IS NOT RESPONSIBLE IF RECIPIENTS OF TEST REPORTS, ASSESSMENTS OR LITERATURE MISINTERPRET THE CONTENTS AND WRONGLY USE PRODUCTS BASED ON THOSE MISINTERPRETATIONS. NO LIABILITY IS ACCEPTED FOR ERROR OMISSIONS IN THIS WEB SITE OR OUR DOCUMENTS. IN THE INTERESTS OF IMPROVEMENTS AND CONTINUED DEVELOPMENT SMOKE CONTROL RESERVES THE RIGHT TO CHANGE SPECIFICATION WITHOUT NOTICE.

**INFORMATION COPY ONLY**



WWW.SMOKECONTROL.COM.AU  
WWW.SMOKECONTROL.CO.NZ  
WWW.SMOKECONTROL.COM  
AUSTRALIAN HEADOFFICE PHONE: 1300 665 471  
INFO@SMOKECONTROL.COM.AU  
NEW ZEALAND PHONE: 09 300 1980  
INFO@SMOKECONTROL.CO.NZ

PROJECT  
FS-EI60  
FIBERSHIELD I -/60/60 STANDARD TEMPLATE

CLIENT

TITLE  
FIBERSHIELD I EI60  
FIBERSHIELD I -/60/60  
LARGE HEADBOX

SUB SET (CATEGORY)  
**01 - FIRE CURTAINS**

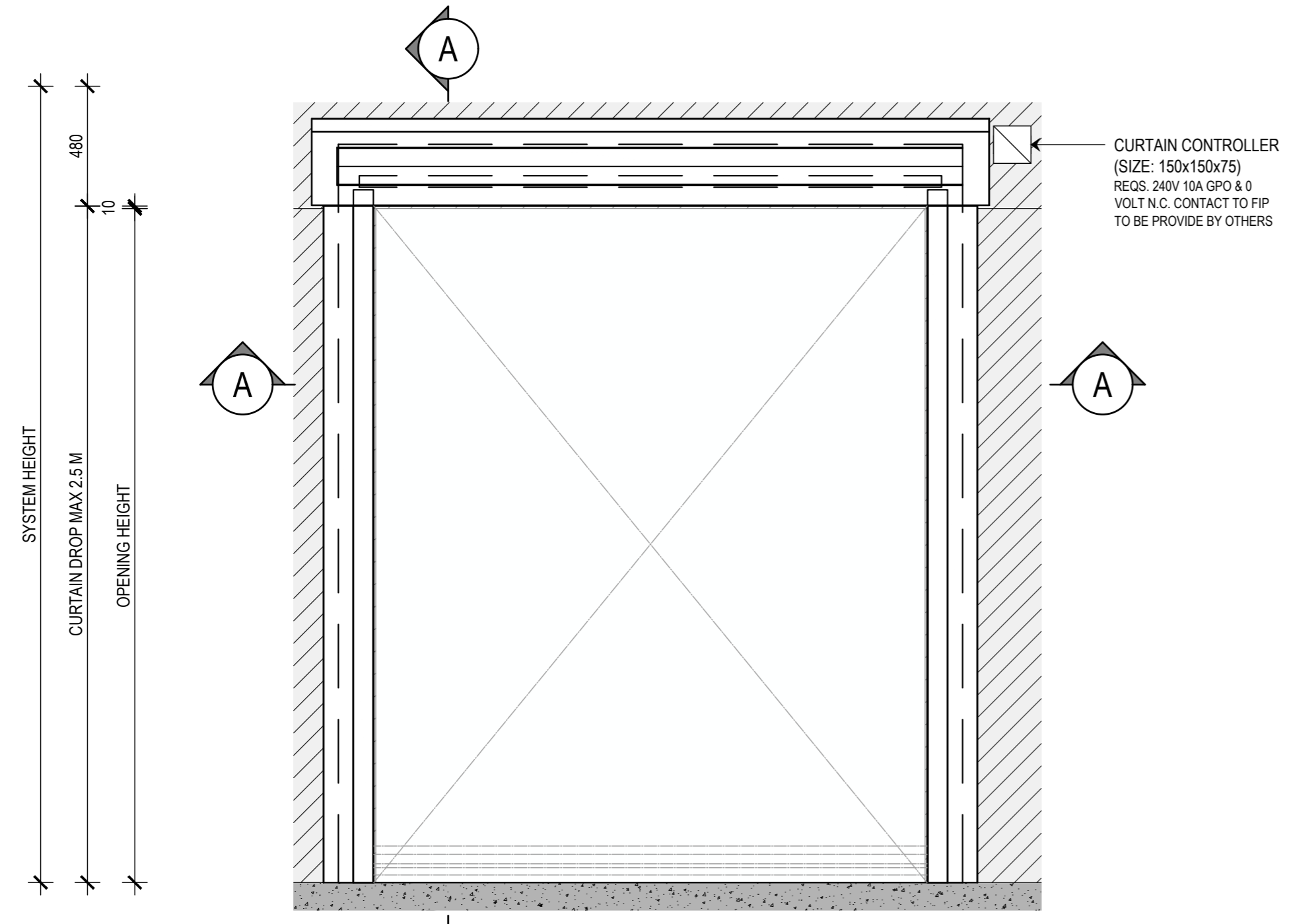
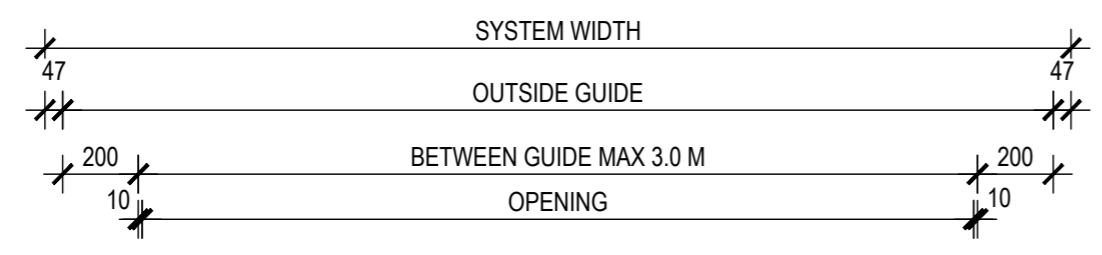
DRAWING NUMBER  
**FS-EI60-0101**

DRAWN BY I.A. ISSUE STATUS: INFORMATION ONLY

START DATE 28/08/2020 SCALE AS SHOWN @A2

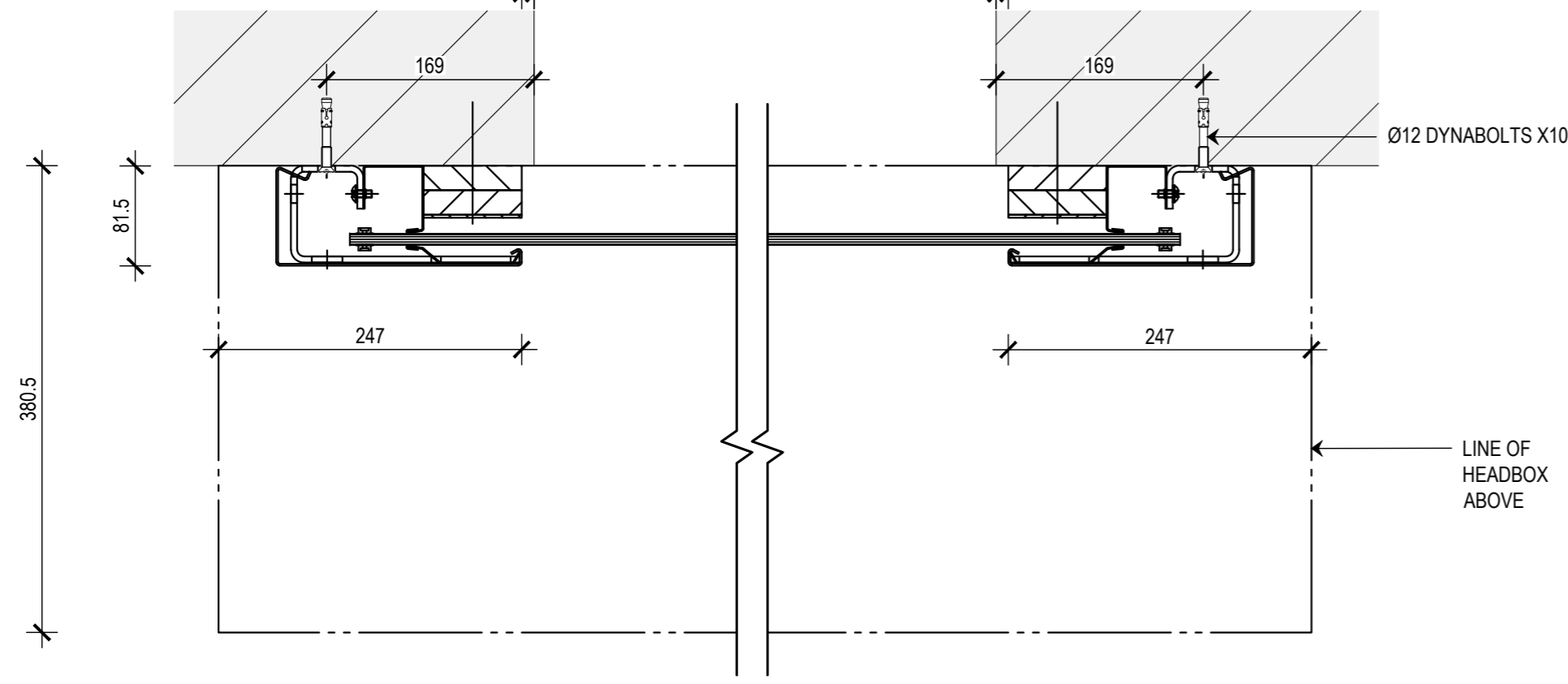
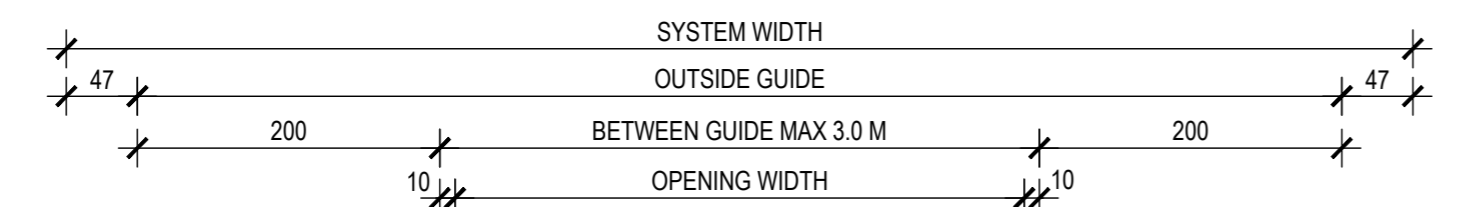
FILE: FS-EI60.dwg --- PLOTTED ON 31/08/2020 BY ISHTIAQUE ALAM

<<< 594mm

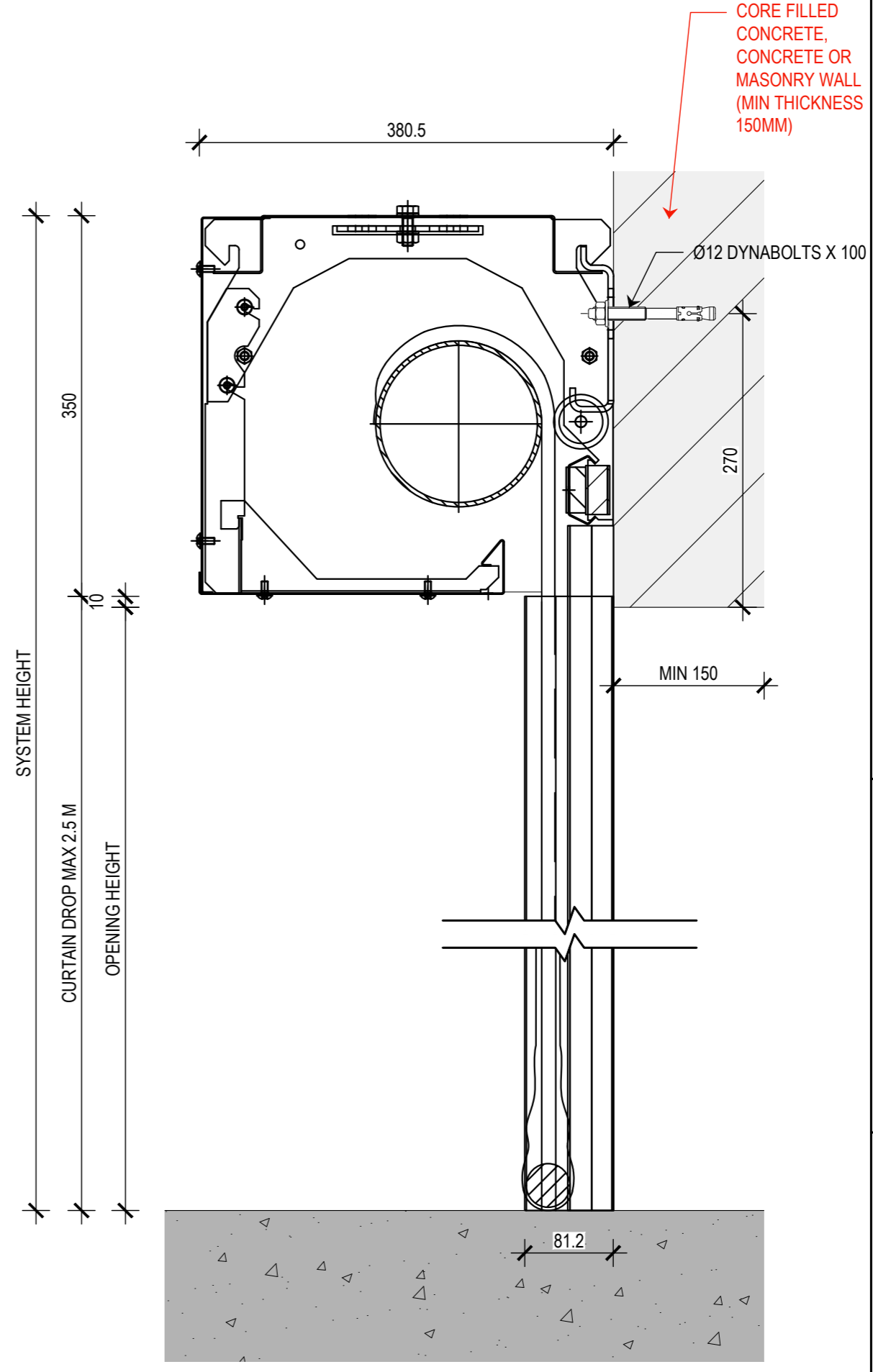


**1** FRONT ELEVATION  
OPENING 1  
SCALE 1:20 @ A2

CURTAIN CONTROLLER  
(SIZE: 150x150x75)  
REQS. 240V 10A GPO & 0  
VOLT N.C. CONTACT TO FIP  
TO BE PROVIDE BY OTHERS



**B** SECTION  
SCALE 1:5 @ A2



**A** SECTION  
SCALE 1:5 @ A2

THIS DRAWING IS COPYRIGHT AND THE PROPERTY OF THE AUTHOR, AND MUST NOT BE RETAINED, COPIED OR USED WITHOUT THE AUTHORITY OF SMOKE CONTROL SYSTEMS PTY. LTD.  
DO NOT SCALE FROM DRAWING. USE PROVIDED DIMENSIONS ONLY.  
ALL DISCREPANCIES MUST BE BROUGHT TO THE ATTENTION OF AUTHOR.  
SMOKE CONTROL SYSTEMS DO NOT TAKE RESPONSIBILITY OF MEASUREMENTS PROVIDED BY OTHERS.

CHK	REASON	DATE
- AC	RELEASED	28/08/2020

**DISCLAIMER**

INFORMATION GIVEN IN SMOKECONTROL.COM.AU AND PUBLICATIONS FOR DOWNLOAD ARE GIVEN TO THE BEST OF OUR KNOWLEDGE AND IN GOOD FAITH. SMOKE CONTROL IS NOT RESPONSIBLE IF RECIPIENTS OF TEST REPORTS, ASSESSMENTS OR LITERATURE MISINTERPRET THE CONTENTS AND WRONGLY USE PRODUCTS BASED ON THOSE MISINTERPRETATIONS. NO LIABILITY IS ACCEPTED FOR ERROR OMISSIONS IN THIS WEB SITE OR OUR DOCUMENTS. IN THE INTERESTS OF IMPROVEMENTS AND CONTINUED DEVELOPMENT SMOKE CONTROL RESERVES THE RIGHT TO CHANGE SPECIFICATION WITHOUT NOTICE.

**INFORMATION COPY ONLY**



WWW.SMOKECONTROL.COM.AU  
WWW.SMOKECONTROL.CO.NZ  
WWW.SMOKECONTROL.COM  
AUSTRALIAN HEADOFFICE PHONE: 1300 665 471  
NEW ZEALAND PHONE: 09 300 1980  
INFO@SMOKECONTROL.COM.AU INFO@SMOKECONTROL.CO.NZ

PROJECT  
FS-EI60  
FIBERSHIELD I -/60/60 STANDARD TEMPLATE

CLIENT

TITLE  
FIBERSHIELD I EI60  
FIBERSHIELD I -/60/60  
SMALL HEADBOX

SUB SET (CATEGORY)  
**01 - FIRE CURTAINS**

DRAWING NUMBER  
**FS-EI60-0102**

DRAWN BY I.A. ISSUE STATUS: INFORMATION ONLY

START DATE 28/08/2020 SCALE AS SHOWN @A2