

SCS PROJECT: FIBERSHIELD ULR120 STANDARD TEMPLATE

ATTENTION: TECHNICAL REQUIREMENTS FOR THIS PROJECT			
No	DESCRIPTION	REQUIREMENT	RESPONSIBILITY
1	WORKS DONE BY OTHERS	ALL DETAILS PERTAINING TO WORK BY OTHERS IS AN ADVISEMENT ONLY AND IT IS THE RESPONSIBILITY OF THE SUPPLIER AND INSTALLER OF THE ITEM/S TO CONFIRM COMPLIANCE TO ITS SUITABILITY FOR THE PURPOSE AND TO CERTIFY ITS COMPLIANCE TO THE REQUIRED FRL TO THE SATISFACTION OF THE FE OR CERTIFIER.	BUILDER, ARCHITECT, OTHER TRADES
2	SHOP DRAWINGS	APPROVAL OF SHOP DRAWINGS (SIGNITURE AND DATE) IS REQUIRED TO BE RETURNED TO SMOKE CONTROL SYSTEM BEFORE MANUFACTURE CAN COMMENCE.	BUILDER, ARCHITECT
3	DELIVERIES TO SITE	IF REQD, FORKLIFT TO BE MADE AVAILABLE.	BUILDER
4	VERTICAL MOVEMENT OF PRODUCT	IF REQD, CRANE SHALL BE AVAILABLE TO SMOKE CONTROL SYSTEMS AT AGREED TIME OF DELIVERY. IF THIS IS NOT AVAILABLE, THIS MAY INCUR EXTRA CHARGES.	BUILDER
5	STORAGE	SUFFICIENT CLEAR FLOOR SPACE TO BE MADE AVAILABLE IMMEDIATELY ADJACENT TO EACH INSTALLATION LOCATION.	BUILDER
6	ACCESS TO WORKFACE (INSTALLATION)	REASONABLY ADEQUATE WORKING AREA REQD., MIN 500mm FROM SYSTEM TO STRUCTURE IS IDEAL. SUBJECT TO SITE CONDITIONS.	BUILDER
7	BALUSTRADES (WHERE PRESENT)	WHERE APPLICABLE, BALLUSTRADES MUST NOT INTERFERE WITH THE OPERATION OF CURTAIN IN ANY WAY. MIN. 100mm FROM SYSTEM TO BALUSTRADE OFFSET IS IDEAL.	BUILDER
8	ACCESS PANELS (INSTALLATION WITHIN CEILING CAVITY)	450X450 NOM. ACCESS PANELS TO BE PROVIDED. THREE EQUALLY SPACED PANELS (ONE ON EITHER END AND ONE DEAD CENTRE) WILL BE REQUIRED WHERE ACCESS TO HEAD BOX IS RESTRICTED. MAY NOT BE REQD. WHERE REMOVABLE GRID CEILING ALLOWS FOR CLEAR ACCESS TO CURTAIN CONTROLLERS.	BUILDER, CEILING CONTRACTOR
9	POWER REQUIREMENTS	240 VOLT 10 AMP GPO TO BE LOCATED NO MORE THAN 1m AWAY FROM NOMINATED LOCATION OF CURTAIN CONTROLLERS.	BUILDER, ELECTRICAL
10	ALARM SIGNAL, ACTIVATION	0 VOLT NORMALLY CLOSED CONTACT (OPEN ON ALARM) TO BE PROVIDED WITHIN 1 METRE OF CURTAIN CONTROLLER.	BUILDER, ELECTRICAL, FIRE
11	PRESSURISATION, EXHAUST SYSTEMS	IMPORTANT: BALANCING TO CONSIDER AFFECTS OF CURTAINS 40 PA MAX. PRESSURE DIFFERENTIAL STRONGLY RECOMMENDED.	BULDER, MECHANICAL SERVICES
12	TUNING	ALL SCAFFOLDING & OTHER TRADES TO BE CLEAR 2 DAYS PRIOR TO TUNING & COMMISSIONING.	BUILDER
13	COMMISSIONING STAGE 1	PRACTICAL COMPLETION TESTS: PERMANENT POWER & ALARMS CONNECTED FOR DRY RUN PRIOR TO CSC. CURTAINS MUST BE ISOLATED DURING INDIVIDUAL COMMISSIONING OF OTHER ESSENTIAL SERVICES. <i>(PRODUCT LOCKED IN OPEN POSITION AFTER TESTING)</i>	SMOKE CONTROL SYSTEMS & BUILDER
14	COMMISSIONING STAGE 2	COORDINATED SERVICES COMMISSIONING (CSC)	SMOKE CONTROL SYSTEMS
15	COMMISSIONING STAGE 3	WITNESS TESTING, FINAL COMMISSIONING & HANDOVER	SMOKE CONTROL SYSTEMS

DRAWING INDEX		
SHEET	DESCRIPTION	REV
0001	COVER SHEET	-
0002	3D INDICATIVE VIEW	-
0003	FRONT ELEVATION	-
0004	SIDE ELEVATION - HEADBOX MOUNTING OPTIONS	-
0005	PLAN VIEW - SIDEGUIDE MOUNTING OPTION	-
0006	CORNER POST DETAIL & BOTTOM BAR	-
0007	OBSTRUCTION SENSORS	-

THIS DRAWING IS COPYRIGHT AND THE PROPERTY OF THE AUTHOR, AND MUST NOT BE RETAINED, COPIED OR USED WITHOUT THE AUTHORITY OF SMOKE CONTROL SYSTEMS PTY. LTD.
 • DO NOT SCALE FROM DRAWING, USE PROVIDED DIMENSIONS ONLY.
 • ALL DISCREPANCIES MUST BE BROUGHT TO THE ATTENTION OF AUTHOR.
 • SMOKE CONTROL SYSTEMS DO NOT TAKE RESPONSIBILITY OF MEASUREMENTS PROVIDED BY OTHERS.

REV	CHK	REASON	DATE
-	AC	RELEASED	08/09/2020

DISCLAIMER

INFORMATION GIVEN IN SMOKECONTROL.COM.AU AND PUBLICATIONS FOR DOWNLOAD ARE GIVEN TO THE BEST OF OUR KNOWLEDGE AND IN GOOD FAITH. SMOKE CONTROL IS NOT RESPONSIBLE IF RECIPIENTS OF TEST REPORTS, ASSESSMENTS OR LITERATURE MISINTERPRET THE CONTENTS AND WRONGLY USE PRODUCTS BASED ON THOSE MISINTERPRETATIONS. NO LIABILITY IS ACCEPTED FOR ERROR OMISSIONS IN THIS WEB SITE OR OUR DOCUMENTS. IN THE INTERESTS OF IMPROVEMENTS AND CONTINUED DEVELOPMENT SMOKE CONTROL RESERVES THE RIGHT TO CHANGE SPECIFICATION WITHOUT NOTICE.

INFORMATION COPY ONLY



WWW.SMOKECONTROL.COM.AU
 WWW.SMOKECONTROL.CO.NZ
 WWW.SMOKECONTROL.COM
 AUSTRALIAN HEADOFFICE NEW ZEALAND
 PHONE: 1300 665 471 PHONE: 09 300 1980
 INFO@SMOKECONTROL.COM.AU INFO@SMOKECONTROL.CO.NZ

PROJECT
 SCS - FSULR
 FIBERSHIELD ULR120 STANDARD TEMPLATE

CLIENT

TITLE
 COVER SHEET

SUB SET (CATEGORY)
00 - SPECIFICATIONS

DRAWING NUMBER
SCS - FSULR-0001

REV
 -

DRAWN BY
 I.A.

ISSUE STATUS:

START DATE
 07/09/2020

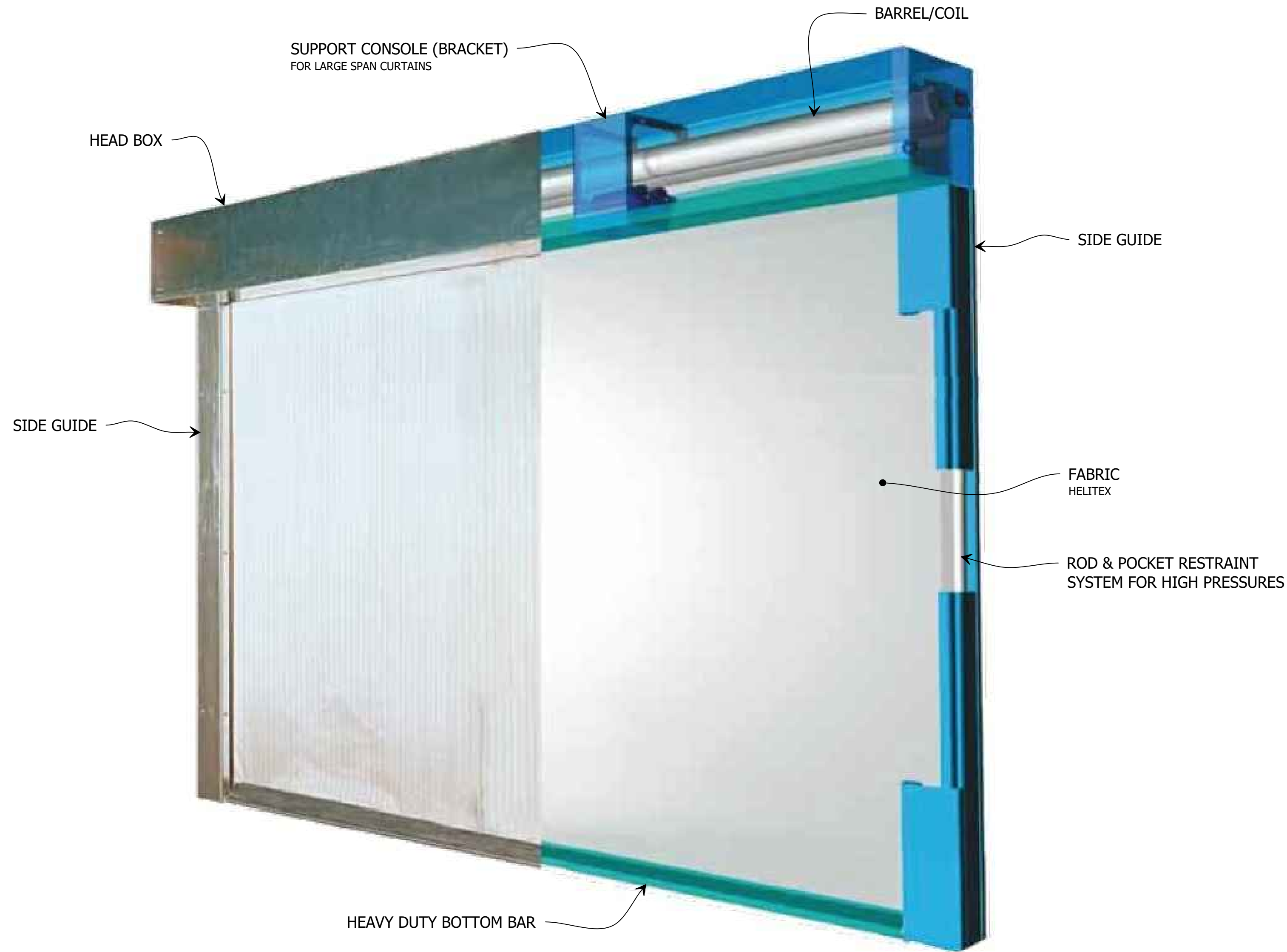
SCALE
 AS SHOWN @A2

FIBERSHIELD ULR120	HEAD BOX & BOTTOM BAR	GALVANISED STEEL	-/120/- ULR	HEAD BOX	POWDER COATING IN STANDARD RAL COLOURS WILL COME IN GALVANISED FINISH IF COLOUR IS NOT PROVIDED BY CLIENT SPECIAL ORDER STAINLESS STEEL AVAILABLE
	SIDE GUIDES	GALVANISED STEEL		SIDE GUIDES	
	FABRIC	1100°C RATED		BOTTOM BAR	
SYSTEM	COMPONENT	MATERIALS	FRL	COLOUR/FINISH	
PRODUCT SPECIFICATIONS					

FILE: SCS-FSULR.dwg --- PLOTTED ON 08/09/2020 BY ISHTIAQUE ALAM

420mm

FIBERSHIELD ULR120 - PREMIUM FIRE CURTAIN



3D VIEW
1 FIBERSHIELD ULR120 - PREMIUM FIRE CURTAIN
 SCALE NTS @ A2

THIS DRAWING IS COPYRIGHT AND THE PROPERTY OF THE AUTHOR, AND MUST NOT BE REPRODUCED, COPIED OR USED WITHOUT THE AUTHORITY OF SMOKE CONTROL SYSTEMS PTY. LTD.
 DO NOT SCALE FROM DRAWING, USE PROVIDED DIMENSIONS ONLY.
 ALL DISCREPANCIES MUST BE BROUGHT TO THE ATTENTION OF AUTHOR.
 SMOKE CONTROL SYSTEMS DO NOT TAKE RESPONSIBILITY OF MEASUREMENTS PROVIDED BY OTHERS.

REV	CHK	REASON	DATE
-	AC	RELEASED	08/09/2020

DISCLAIMER

INFORMATION GIVEN IN SMOKECONTROL.COM.AU AND PUBLICATIONS FOR DOWNLOAD ARE GIVEN TO THE BEST OF OUR KNOWLEDGE AND IN GOOD FAITH. SMOKE CONTROL IS NOT RESPONSIBLE IF RECIPIENTS OF TEST REPORTS, ASSESSMENTS OR LITERATURE MISINTERPRET THE CONTENTS AND WRONGLY USE PRODUCTS BASED ON THOSE MISINTERPRETATIONS. NO LIABILITY IS ACCEPTED FOR ERROR OMISSIONS IN THIS WEB SITE OR OUR DOCUMENTS. IN THE INTERESTS OF IMPROVEMENTS AND CONTINUED DEVELOPMENT SMOKE CONTROL RESERVES THE RIGHT TO CHANGE SPECIFICATION WITHOUT NOTICE.

INFORMATION COPY ONLY



WWW.SMOKECONTROL.COM.AU
 WWW.SMOKECONTROL.CO.NZ
 WWW.SMOKECONTROL.COM
 AUSTRALIAN HEADOFFICE PHONE: 1300 665 471
 NEW ZEALAND PHONE: 09 300 1980
 INFO@SMOKECONTROL.COM.AU INFO@SMOKECONTROL.CO.NZ

PROJECT
 SCS - FSULR
 FIBERSHIELD ULR120 STANDARD TEMPLATE

CLIENT

TITLE
 3D INDICATIVE VIEW

SUB SET (CATEGORY)
00 - SPECIFICATIONS

DRAWING NUMBER
SCS - FSULR-0002 REV -

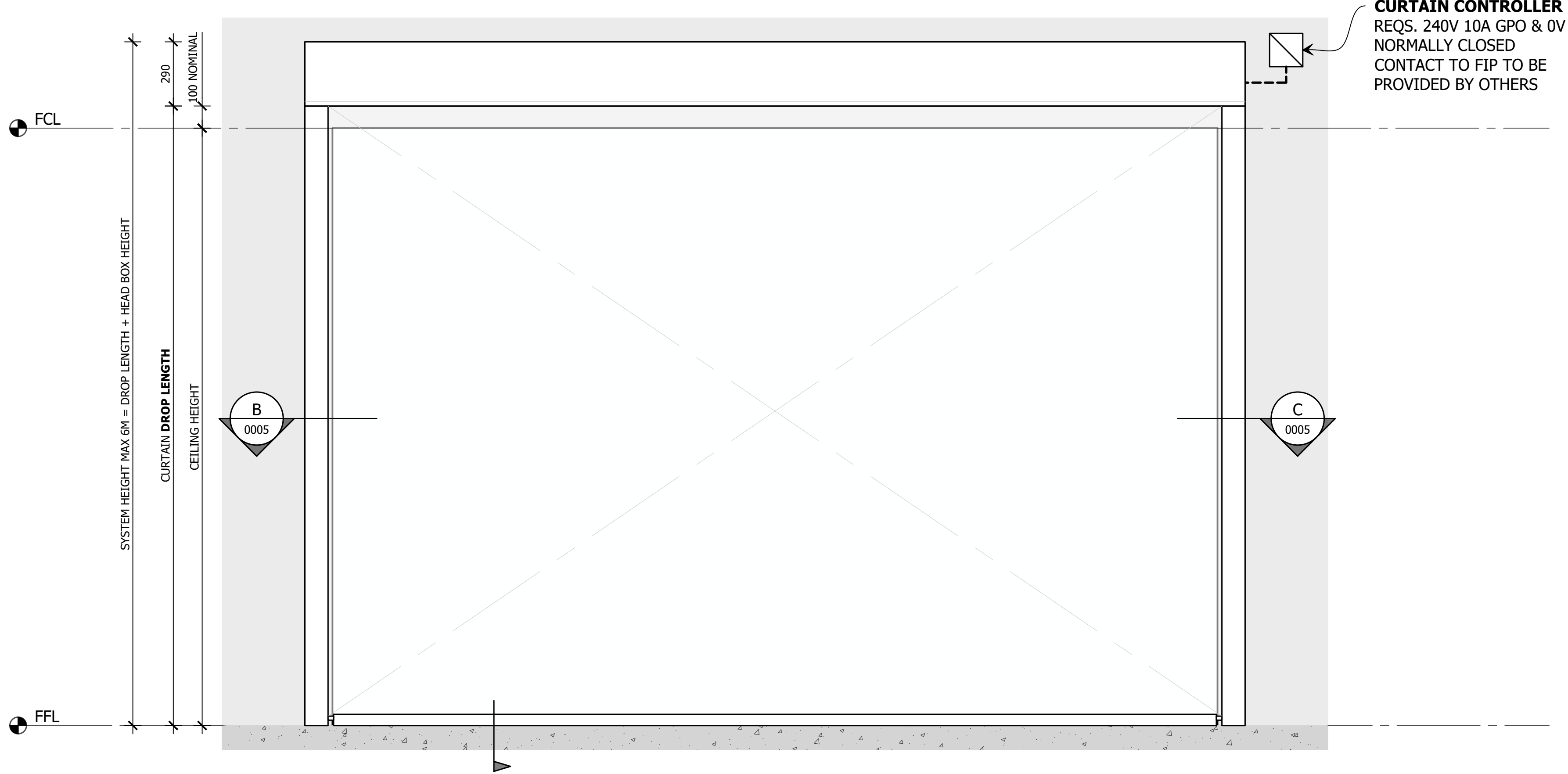
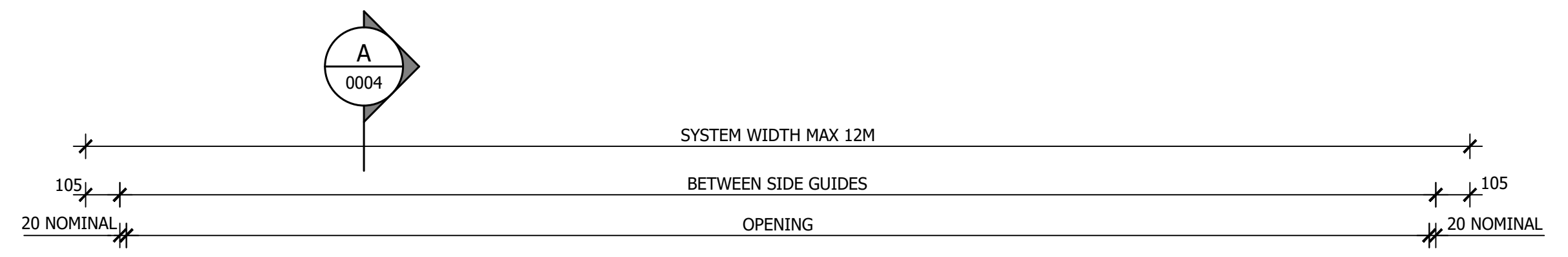
DRAWN BY I.A. ISSUE STATUS: FOR INFORMATION

START DATE 07/09/2020 SCALE AS SHOWN @A2

FILE: SCS-FSULR.dwg --- PLOTTED ON 08/09/2020 BY ISHTIAQUE ALAM

THIS DRAWING IS COPYRIGHT AND THE PROPERTY OF THE AUTHOR, AND MUST NOT BE RETAINED, COPIED OR USED WITHOUT THE AUTHORITY OF SMOKE CONTROL SYSTEMS PTY. LTD.
 DO NOT SCALE FROM DRAWING, USE PROVIDED DIMENSIONS ONLY.
 ALL DISCREPANCIES MUST BE BROUGHT TO THE ATTENTION OF AUTHOR.
 SMOKE CONTROL SYSTEMS DO NOT TAKE RESPONSIBILITY OF MEASUREMENTS PROVIDED BY OTHERS.

REV	CHK	REASON	DATE
-	AC	RELEASED	08/09/2020



DISCLAIMER

INFORMATION GIVEN IN SMOKECONTROL.COM.AU AND PUBLICATIONS FOR DOWNLOAD ARE GIVEN TO THE BEST OF OUR KNOWLEDGE AND IN GOOD FAITH. SMOKE CONTROL IS NOT RESPONSIBLE IF RECIPIENTS OF TEST REPORTS, ASSESSMENTS OR LITERATURE MISINTERPRET THE CONTENTS AND WRONGLY USE PRODUCTS BASED ON THOSE MISINTERPRETATIONS. NO LIABILITY IS ACCEPTED FOR ERROR OMISSIONS IN THIS WEB SITE OR OUR DOCUMENTS. IN THE INTERESTS OF IMPROVEMENTS AND CONTINUED DEVELOPMENT SMOKE CONTROL RESERVES THE RIGHT TO CHANGE SPECIFICATION WITHOUT NOTICE.

INFORMATION COPY ONLY



WWW.SMOKECONTROL.COM.AU
 WWW.SMOKECONTROL.CO.NZ
 WWW.SMOKECONTROL.COM
 AUSTRALIAN HEADOFFICE PHONE: 1300 665 471
 NEW ZEALAND PHONE: 09 300 1980
 INFO@SMOKECONTROL.COM.AU INFO@SMOKECONTROL.CO.NZ

PROJECT
 SCS - FSULR
 FIBERSHIELD ULR120 STANDARD TEMPLATE

CLIENT

TITLE
 FRONT ELEVATION

SUB SET (CATEGORY)
 00 - SPECIFICATIONS

DRAWING NUMBER
 SCS - FSULR-0003

DRAWN BY
 I.A.

ISSUE STATUS:
 FOR INFORMATION

START DATE
 07/09/2020

SCALE
 AS SHOWN @A2

1 FRONT VIEW
FIBERSHIELD - ULR120
 SCALE ### @ A2

FILE: SCS-FSULR.dwg --- PLOTTED ON 08/09/2020 BY ISHTIAQUE ALAM

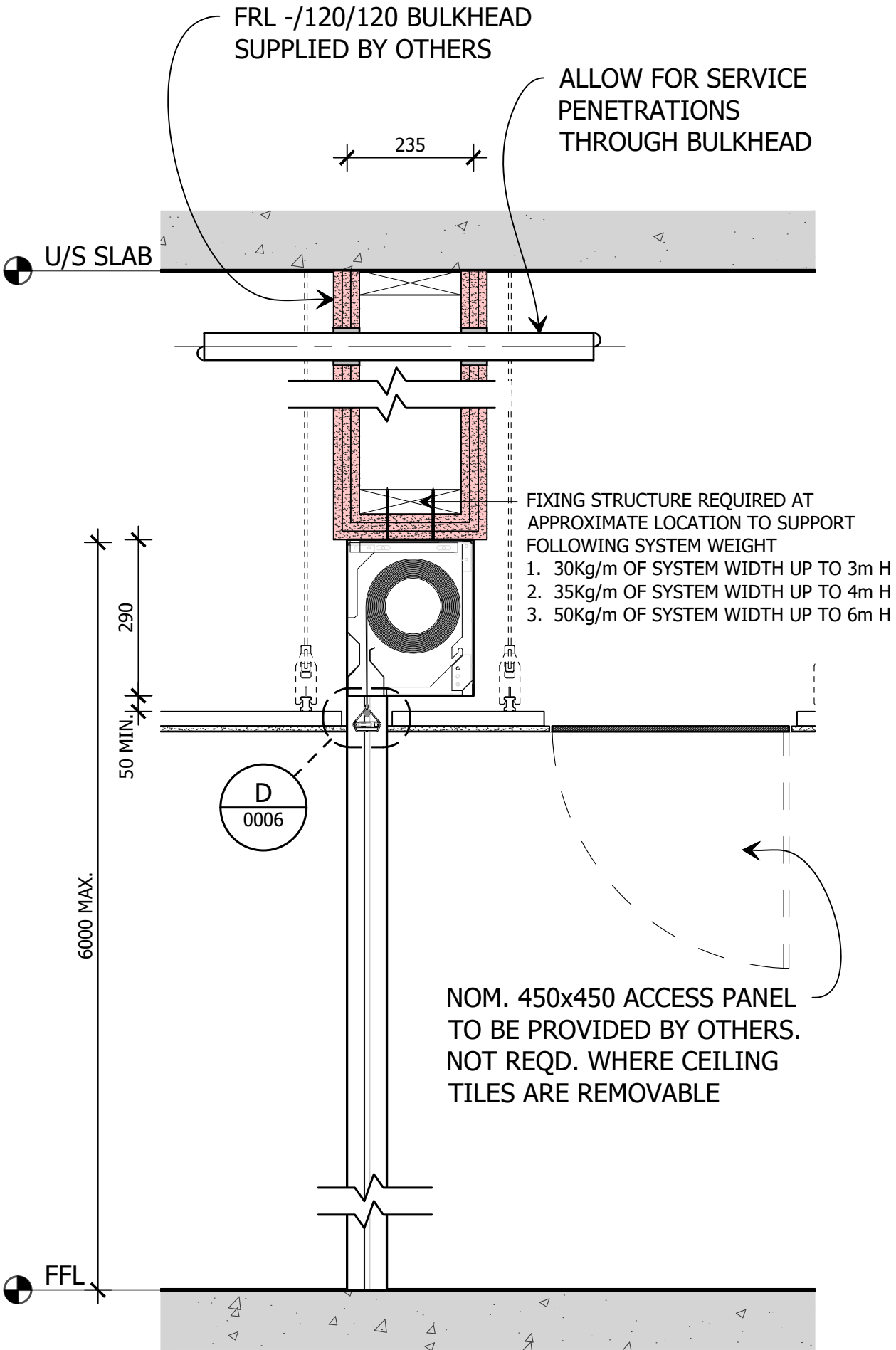
420mm
 <<< 594mm

HEAD BOX MOUNTING OPTIONS:

THIS DRAWING IS COPYRIGHT AND THE PROPERTY OF THE AUTHOR, AND MUST NOT BE REPRODUCED, COPIED OR USED WITHOUT THE AUTHORITY OF SMOKE CONTROL SYSTEMS PTY. LTD.
 DO NOT SCALE FROM DRAWING, USE PROVIDED DIMENSIONS ONLY.
 ALL DISCREPANCIES MUST BE BROUGHT TO THE ATTENTION OF AUTHOR.
 SMOKE CONTROL SYSTEMS DO NOT TAKE RESPONSIBILITY OF MEASUREMENTS PROVIDED BY OTHERS.

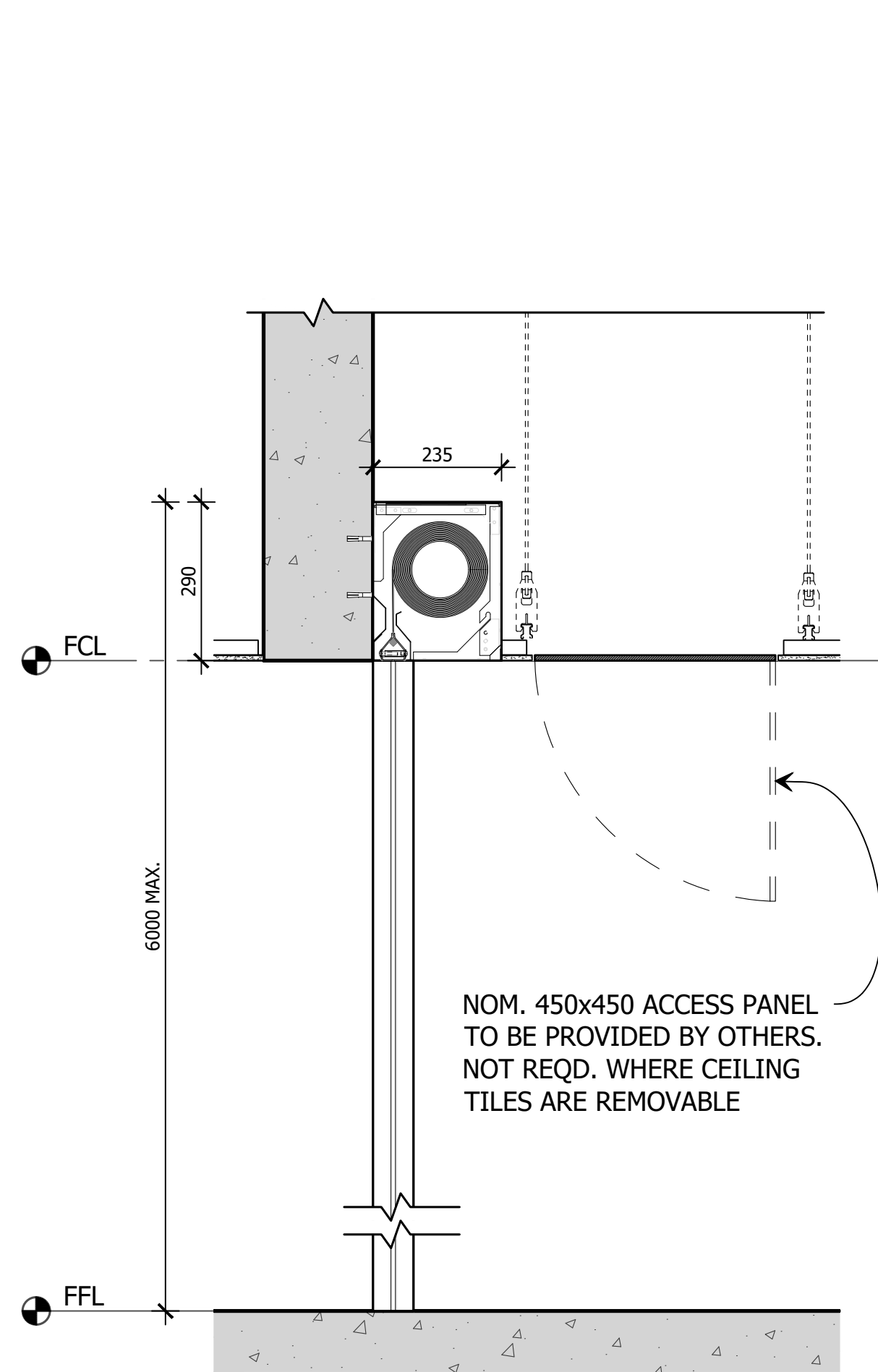
REV	CHK	REASON	DATE
-	AC	RELEASED	08/09/2020

OPTION 1: SUSPENDED



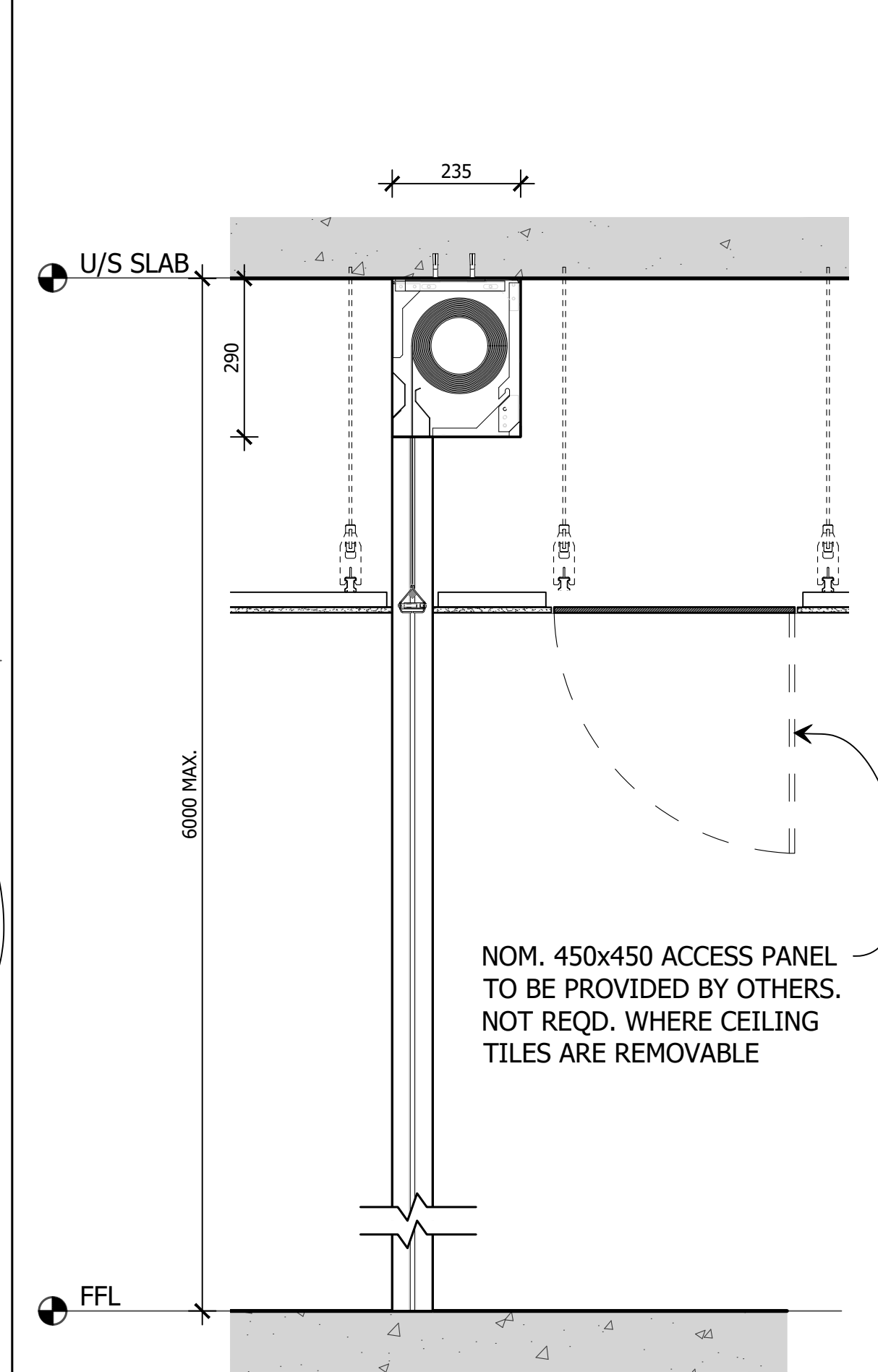
A SIDE ELEVATION SECTION
 SCALE 1:10 @ A2

OPTION 2: FACE FIXED



A SIDE ELEVATION SECTION
 SCALE 1:10 @ A2

OPTION 3: TOP FIXED



A SIDE ELEVATION SECTION
 SCALE 1:10 @ A2

DISCLAIMER

INFORMATION GIVEN IN SMOKECONTROL.COM.AU AND PUBLICATIONS FOR DOWNLOAD ARE GIVEN TO THE BEST OF OUR KNOWLEDGE AND IN GOOD FAITH. SMOKE CONTROL IS NOT RESPONSIBLE IF RECIPIENTS OF TEST REPORTS, ASSESSMENTS OR LITERATURE MISINTERPRET THE CONTENTS AND WRONGLY USE PRODUCTS BASED ON THOSE MISINTERPRETATIONS. NO LIABILITY IS ACCEPTED FOR ERROR OMISSIONS IN THIS WEB SITE OR OUR DOCUMENTS. IN THE INTERESTS OF IMPROVEMENTS AND CONTINUED DEVELOPMENT SMOKE CONTROL RESERVES THE RIGHT TO CHANGE SPECIFICATION WITHOUT NOTICE.

INFORMATION COPY ONLY



WWW.SMOKECONTROL.COM.AU
 WWW.SMOKECONTROL.CO.NZ
 WWW.SMOKECONTROL.COM
 AUSTRALIAN HEADOFFICE PHONE: 1300 665 471
 NEW ZEALAND PHONE: 09 300 1980
 INFO@SMOKECONTROL.COM.AU INFO@SMOKECONTROL.CO.NZ

PROJECT
 SCS - FSULR
 FIBERSHIELD ULR120 STANDARD TEMPLATE

CLIENT

TITLE
 SIDE ELEVATION
 HEADBOX MOUNTING OPTIONS

SUB SET (CATEGORY)
00 - SPECIFICATIONS

DRAWING NUMBER
SCS - FSULR-0004 REV

DRAWN BY
 I.A. ISSUE STATUS:
 FOR INFORMATION

START DATE
 07/09/2020 SCALE
 AS SHOWN @A2

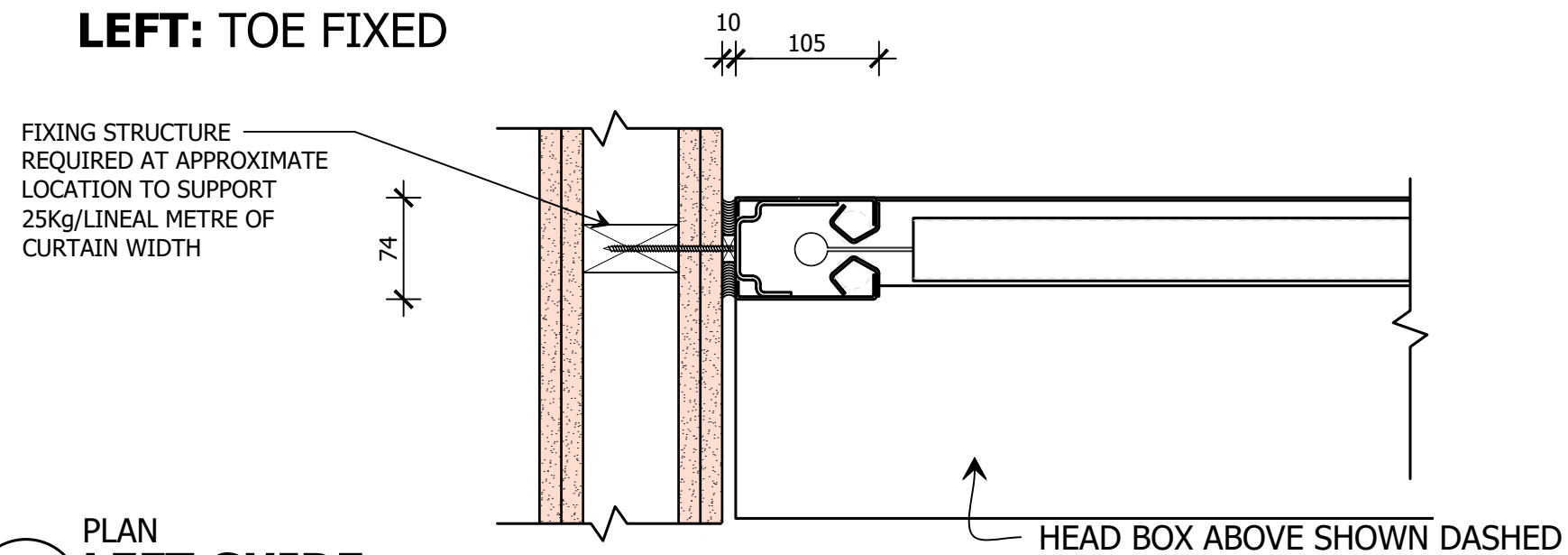
FILE: SCS-FSULR.dwg ... PLOTTED ON 08/09/2020 BY ISHTIAQUE ALAM

SIDE GUIDE MOUNTING OPTIONS:

THIS DRAWING IS COPYRIGHT AND THE PROPERTY OF THE AUTHOR, AND MUST NOT BE REPRODUCED, COPIED OR USED WITHOUT THE AUTHORITY OF SMOKE CONTROL SYSTEMS PTY. LTD.
 DO NOT SCALE FROM DRAWING, USE PROVIDED DIMENSIONS ONLY.
 ALL DISCREPANCIES MUST BE BROUGHT TO THE ATTENTION OF AUTHOR.
 SMOKE CONTROL SYSTEMS DO NOT TAKE RESPONSIBILITY OF MEASUREMENTS PROVIDED BY OTHERS.

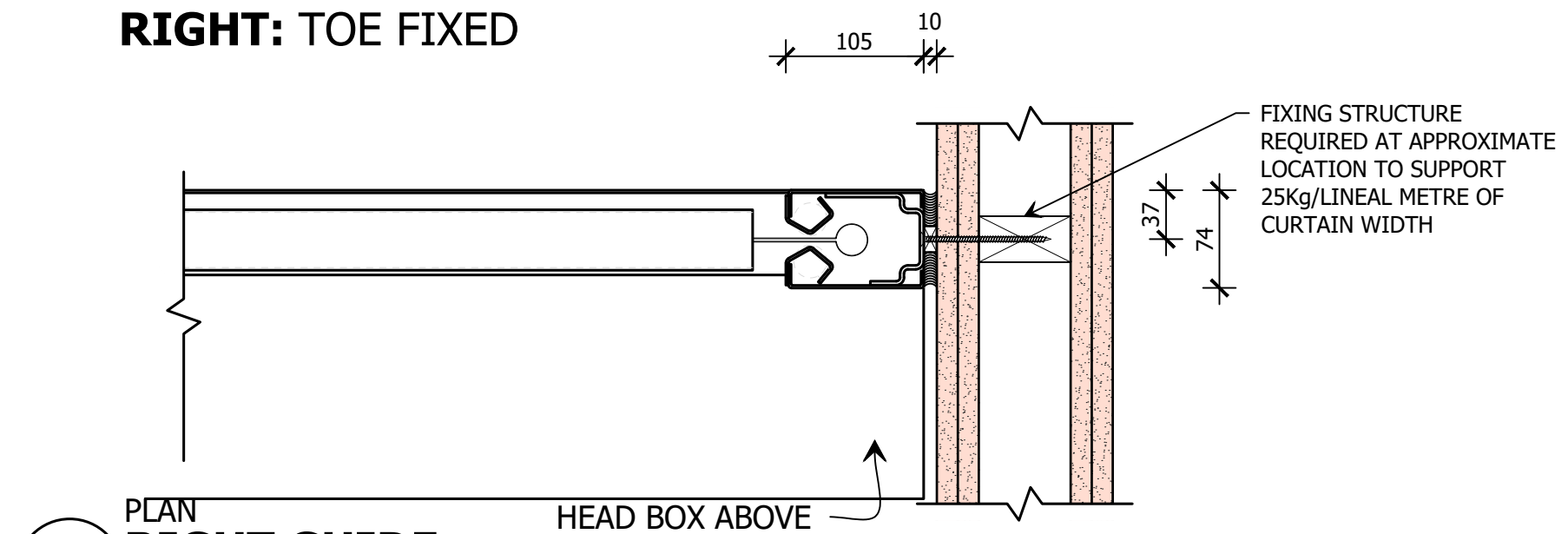
REV	CHK	REASON	DATE
-	AC	RELEASED	08/09/2020

LEFT: TOE FIXED



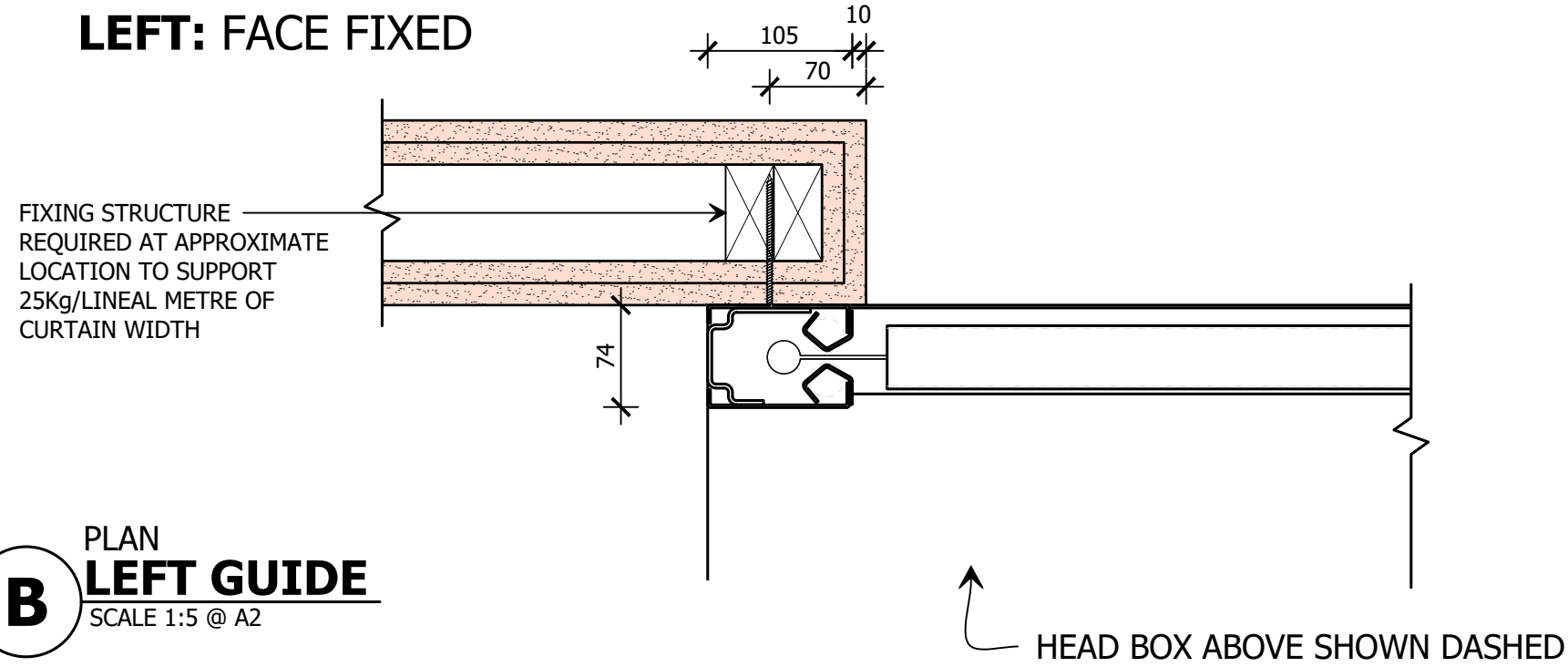
B PLAN
LEFT GUIDE
SCALE 1:5 @ A2

RIGHT: TOE FIXED



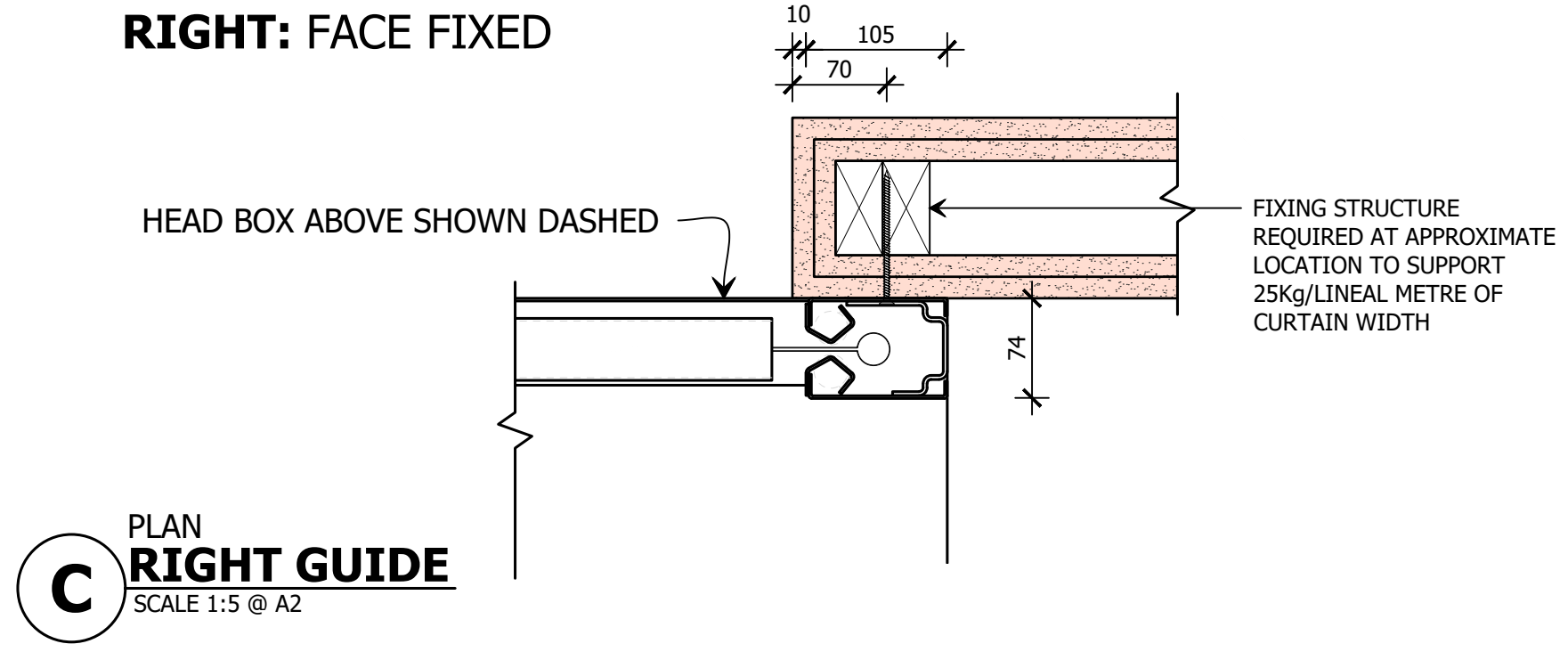
C PLAN
RIGHT GUIDE
SCALE 1:5 @ A2

LEFT: FACE FIXED



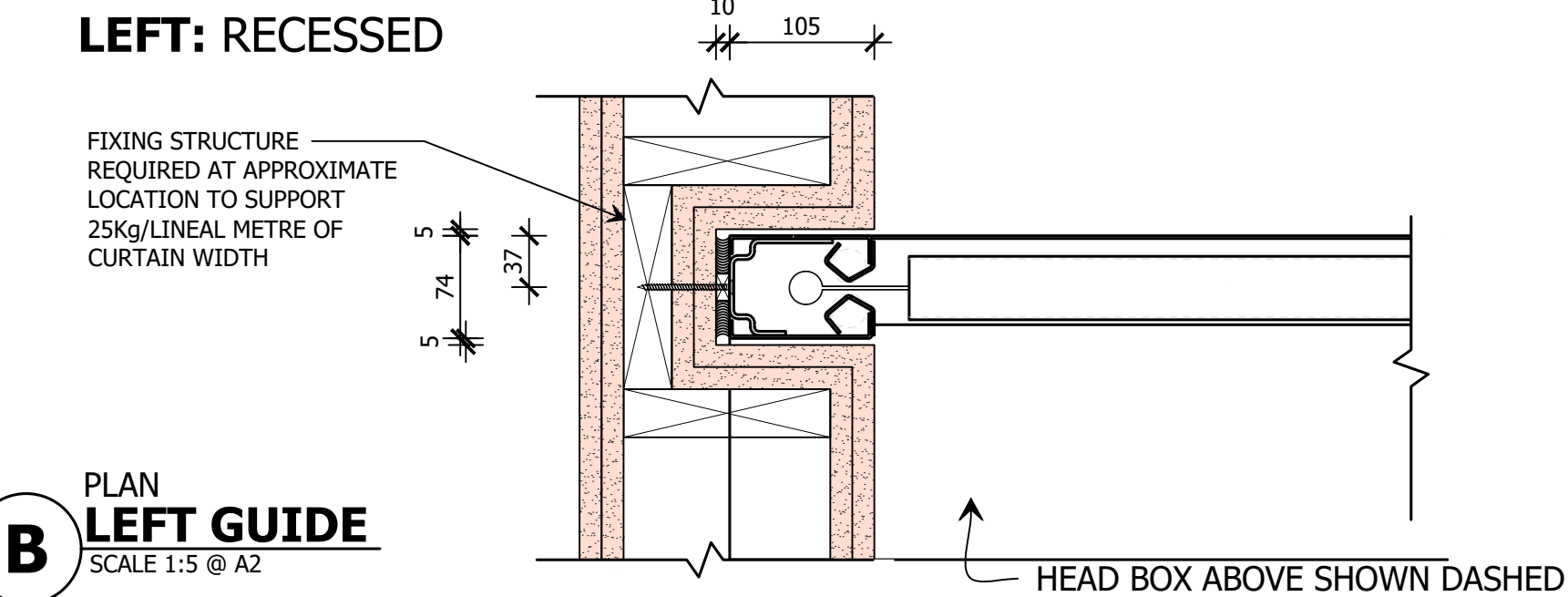
B PLAN
LEFT GUIDE
SCALE 1:5 @ A2

RIGHT: FACE FIXED



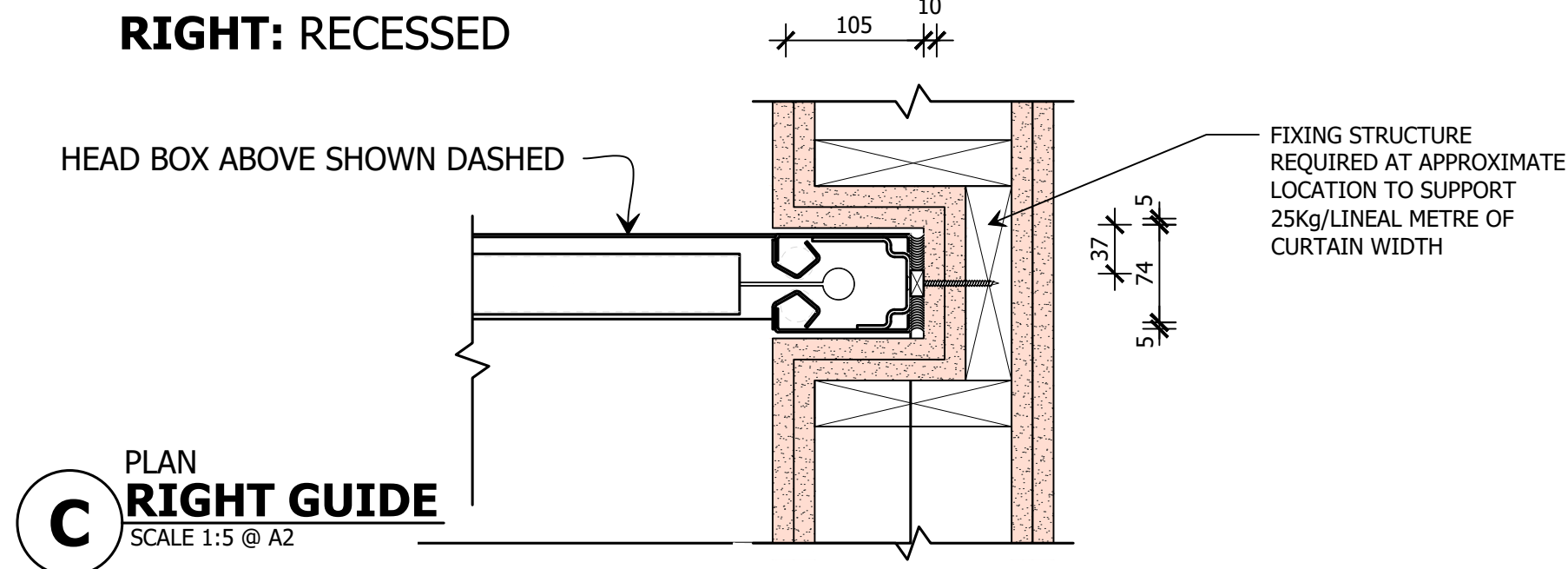
C PLAN
RIGHT GUIDE
SCALE 1:5 @ A2

LEFT: RECESSED



B PLAN
LEFT GUIDE
SCALE 1:5 @ A2

RIGHT: RECESSED



C PLAN
RIGHT GUIDE
SCALE 1:5 @ A2

DISCLAIMER
 INFORMATION GIVEN IN SMOKECONTROL.COM.AU AND PUBLICATIONS FOR DOWNLOAD ARE GIVEN TO THE BEST OF OUR KNOWLEDGE AND IN GOOD FAITH. SMOKE CONTROL IS NOT RESPONSIBLE IF RECIPIENTS OF TEST REPORTS, ASSESSMENTS OR LITERATURE MISINTERPRET THE CONTENTS AND WRONGLY USE PRODUCTS BASED ON THOSE MISINTERPRETATIONS. NO LIABILITY IS ACCEPTED FOR ERROR OMISSIONS IN THIS WEB SITE OR OUR DOCUMENTS. IN THE INTERESTS OF IMPROVEMENTS AND CONTINUED DEVELOPMENT SMOKE CONTROL RESERVES THE RIGHT TO CHANGE SPECIFICATION WITHOUT NOTICE.

INFORMATION COPY ONLY

WWW.SMOKECONTROL.COM.AU
 WWW.SMOKECONTROL.CO.NZ
 WWW.SMOKECONTROL.COM
 AUSTRALIAN HEADOFFICE PHONE: 1300 665 471
 NEW ZEALAND PHONE: 09 300 1980
 INFO@SMOKECONTROL.COM.AU INFO@SMOKECONTROL.CO.NZ

PROJECT
SCS - FSULR
 FIBERSHIELD ULR120 STANDARD TEMPLATE

CLIENT

TITLE
 PLAN VIEW
 SIDEGUIDE MOUNTING OPTION

SUB SET (CATEGORY)
00 - SPECIFICATIONS

DRAWING NUMBER
SCS - FSULR-0005

DRAWN BY
 I.A.
 START DATE
 07/09/2020

ISSUE STATUS:
 FOR INFORMATION

SCALE
 AS SHOWN @A2

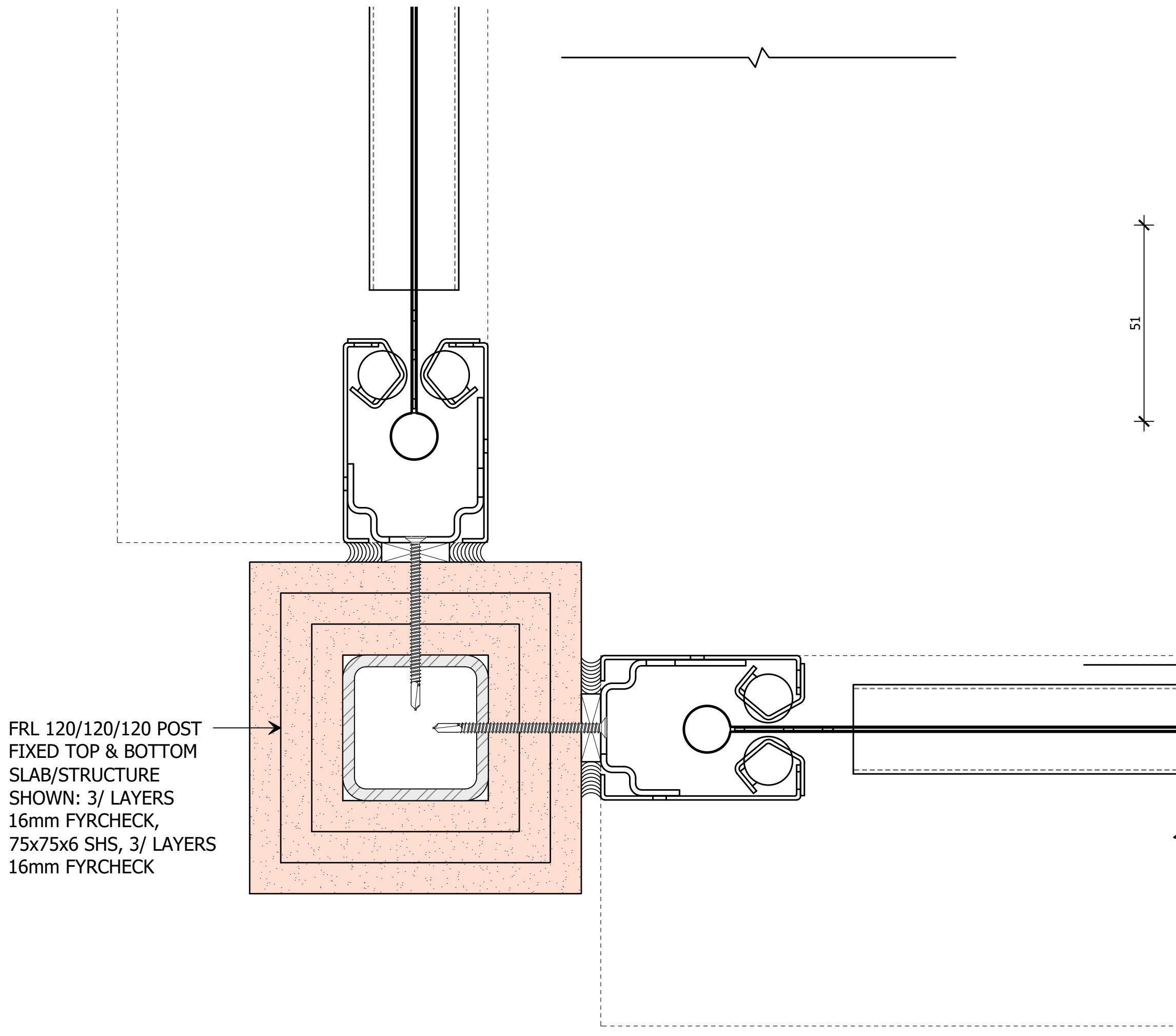
FILE: SCS-FSULR.dwg --- PLOTTED ON 08/09/2020 BY ISHTIAQUE ALAM

420mm
 594mm

CORNER POST DETAIL:

BOTTOM BAR OPTIONS:

STANDARD BOTTOM BAR



FRL 120/120/120 POST
FIXED TOP & BOTTOM
SLAB/STRUCTURE
SHOWN: 3/ LAYERS
16mm FYRCHECK,
75x75x6 SHS, 3/ LAYERS
16mm FYRCHECK

75 GAP IN CEILING

51

D ELEVATION SECTION
BOTTOM BAR
SCALE 1:1 @ A2

THIS DRAWING IS COPYRIGHT AND THE PROPERTY OF THE AUTHOR, AND MUST NOT BE RETAINED, COPIED OR USED WITHOUT THE AUTHORITY OF SMOKE CONTROL SYSTEMS PTY. LTD.
DO NOT SCALE FROM DRAWING, USE PROVIDED DIMENSIONS ONLY.
ALL DISCREPANCIES MUST BE BROUGHT TO THE ATTENTION OF AUTHOR.
SMOKE CONTROL SYSTEMS DO NOT TAKE RESPONSIBILITY OF MEASUREMENTS PROVIDED BY OTHERS.

REV	CHK	REASON	DATE
-	AC	RELEASED	08/09/2020

DISCLAIMER

INFORMATION GIVEN IN SMOKECONTROL.COM.AU AND PUBLICATIONS FOR DOWNLOAD ARE GIVEN TO THE BEST OF OUR KNOWLEDGE AND IN GOOD FAITH. SMOKE CONTROL IS NOT RESPONSIBLE IF RECIPIENTS OF TEST REPORTS, ASSESSMENTS OR LITERATURE MISINTERPRET THE CONTENTS AND WRONGLY USE PRODUCTS BASED ON THOSE MISINTERPRETATIONS. NO LIABILITY IS ACCEPTED FOR ERROR OMISSIONS IN THIS WEB SITE OR OUR DOCUMENTS. IN THE INTERESTS OF IMPROVEMENTS AND CONTINUED DEVELOPMENT SMOKE CONTROL RESERVES THE RIGHT TO CHANGE SPECIFICATION WITHOUT NOTICE.

**INFORMATION
COPY ONLY**



WWW.SMOKECONTROL.COM.AU
WWW.SMOKECONTROL.CO.NZ
WWW.SMOKECONTROL.COM
AUSTRALIAN HEADOFFICE NEW ZEALAND
PHONE: 1300 665 471 PHONE: 09 300 1980
INFO@SMOKECONTROL.COM.AU INFO@SMOKECONTROL.CO.NZ

PROJECT
SCS - FSULR
FIBERSHIELD ULR120 STANDARD TEMPLATE

CLIENT

TITLE
CORNER POST DETAIL
BOTTOM BAR

SUB SET (CATEGORY)
00 - SPECIFICATIONS

DRAWING NUMBER
SCS - FSULR-0006 REV -

DRAWN BY
I.A. ISSUE STATUS:
FOR INFORMATION

START DATE
07/09/2020 SCALE
AS SHOWN @A2

FILE: SCS-FSULR.dwg --- PLOTTED ON 08/09/2020 BY ISHTIAQUE ALAM

IRS40 OBSTRUCTION SENSORS

PROTECT YOUR ASSET FROM DAMAGE CAUSED BY OBSTRUCTIONS AND ENSURE FULL DEPLOYMENT OF YOUR FIRE AND SMOKE CURTAIN SYSTEM AND THEREFORE FULL COMPLIANCE WITH THE FIRE ENGINEERS REPORT.

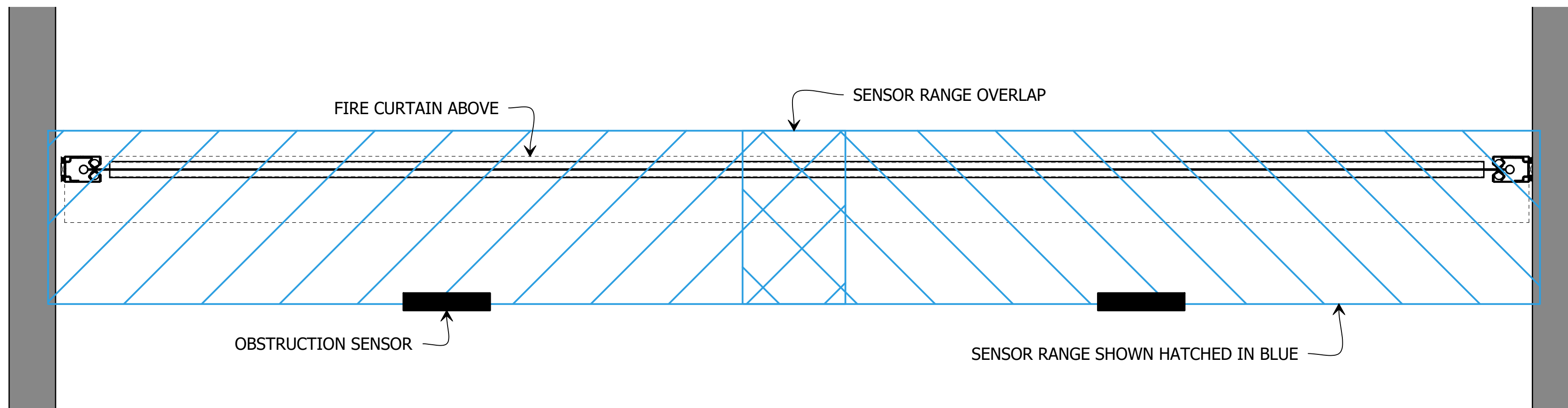
ELIMINATE THE REQUIREMENT FOR LINE MARKINGS AND MULTI-COLOURED EXCLUSION ZONES WHICH DETRACT FROM THE INTERIOR DESIGN! THE AUTOMATED IRS40 IS SUITABLE FOR USE ON ALL OF SMOKE CONTROL'S FIRE AND SMOKE CURTAIN SYSTEMS.

OTHER SENSOR SYSTEMS CAN REGISTER SMOKE AS AN OBSTRUCTION AND PREVENT DEPLOYMENT OF THE BARRIER WHEN IT IS ACTUALLY REQUIRED AND CONFLICT WITH THE INTENT OF THE ALTERNATIVE SOLUTION.

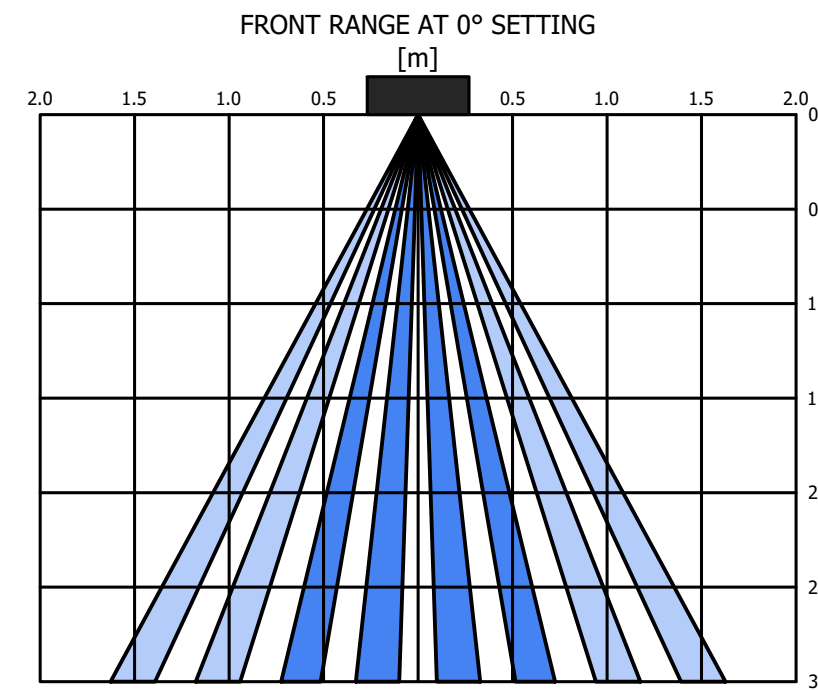
THE IRS40 SENSOR SYSTEM IS UNIQUE AND WILL NOT CAUSE THIS CONFLICT, ALLOWING THE BARRIER TO BOTH OPERATE AS INTENDED AND MAINTAIN COMPLIANCE WITH THE PERFORMANCE SOLUTION AT ALL TIMES.

WHEN AN OBSTRUCTION IS DETECTED UNDER THE DEPLOYMENT AREA OF THE BARRIER, THE SYSTEM WILL WAIT FOR A SPECIFIED TIME DELAY, THEN AN AUDIO-VISUAL SIGNAL WILL NOTIFY THE OCCUPANTS THAT THE OBSTRUCTION MUST BE REMOVED. THE SYSTEM AUTOMATICALLY RESETS ONCE THE OBSTRUCTION IS REMOVED FROM THE DEPLOYMENT AREA.

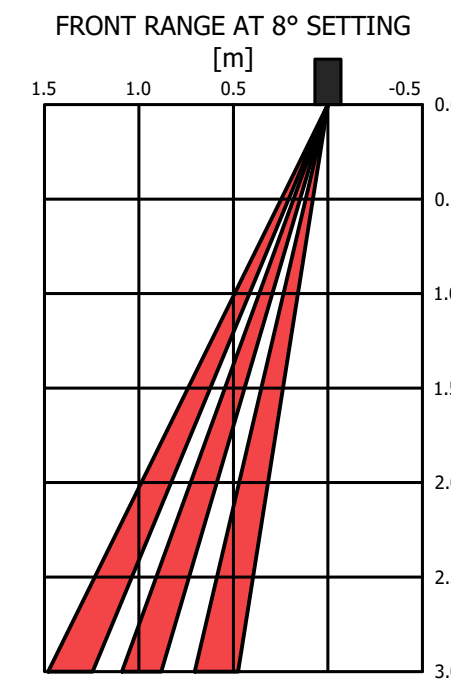
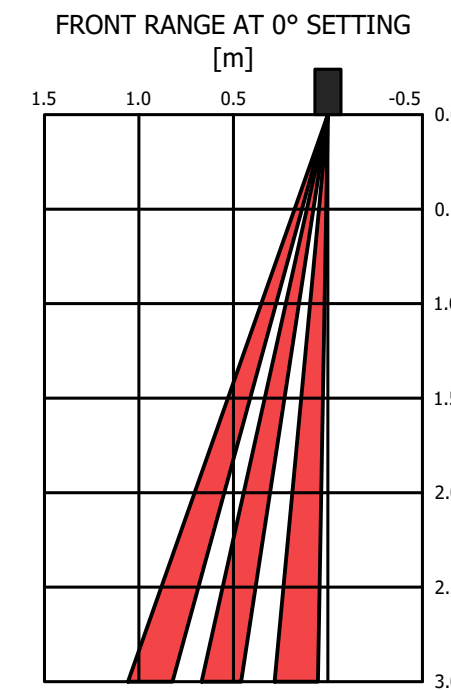
DIMENSIONS: 230mm (W), 70mm (H), 44mm (D)
IP RATING: IP54



REFLECTED PLAN
1 OBSTRUCTION SENSOR LAYOUT
 SCALE 1:10 @ A2



GRAPHS SHOWN ARE APPROXIMATE RANGES



THIS DRAWING IS COPYRIGHT AND THE PROPERTY OF THE AUTHOR, AND MUST NOT BE REPRODUCED, COPIED OR USED WITHOUT THE AUTHORITY OF SMOKE CONTROL SYSTEMS PTY. LTD.
 DO NOT SCALE FROM DRAWING, USE PROVIDED DIMENSIONS ONLY.
 ALL DISCREPANCIES MUST BE BROUGHT TO THE ATTENTION OF AUTHOR.
 SMOKE CONTROL SYSTEMS DO NOT TAKE RESPONSIBILITY OF MEASUREMENTS PROVIDED BY OTHERS.

REV	CHK	REASON	DATE
-	AC	RELEASED	08/09/2020

DISCLAIMER

INFORMATION GIVEN IN SMOKECONTROL.COM.AU AND PUBLICATIONS FOR DOWNLOAD ARE GIVEN TO THE BEST OF OUR KNOWLEDGE AND IN GOOD FAITH. SMOKE CONTROL IS NOT RESPONSIBLE IF RECIPIENTS OF TEST REPORTS, ASSESSMENTS OR LITERATURE MISINTERPRET THE CONTENTS AND WRONGLY USE PRODUCTS BASED ON THOSE MISINTERPRETATIONS. NO LIABILITY IS ACCEPTED FOR ERROR OMISSIONS IN THIS WEB SITE OR OUR DOCUMENTS. IN THE INTERESTS OF IMPROVEMENTS AND CONTINUED DEVELOPMENT SMOKE CONTROL RESERVES THE RIGHT TO CHANGE SPECIFICATION WITHOUT NOTICE.

INFORMATION COPY ONLY



WWW.SMOKECONTROL.COM.AU
 WWW.SMOKECONTROL.CO.NZ
 WWW.SMOKECONTROL.COM
 AUSTRALIAN HEADOFFICE PHONE: 1300 665 471
 INFO@SMOKECONTROL.COM.AU
 NEW ZEALAND PHONE: 09 300 1980
 INFO@SMOKECONTROL.CO.NZ

PROJECT
 SCS - FSULR
 FIBERSHIELD ULR120 STANDARD TEMPLATE

CLIENT

TITLE
 OBSTRUCTION SENSORS

SUB SET (CATEGORY)
00 - SPECIFICATIONS

DRAWING NUMBER
SCS - FSULR-0007 REV

DRAWN BY
 I.A. ISSUE STATUS:
 FOR INFORMATION

START DATE
 07/09/2020 SCALE
 AS SHOWN @A2

FILE: SCS-FSULR.dwg --- PLOTTED ON 08/09/2020 BY ISHTIAQUE ALAM