

PROPRIETARY ITEM: SMOKEHALT - V
AUTOMATIC OVERHEAD COILING FABRIC SMOKE CURTAIN

PART 1 - GENERAL

1.01 SUMMARY

- A. Section Includes:
 - 1. Fire alarm or smoke detector-activated, overhead coiling fabric smoke curtain.
 - 2. Self-closing without auxiliary power.
 - 3. For small and medium protected openings.
- B. Related Requirements:
 - 1. Access Panels.
 - 2. Load Bearing Header Framing
 - 3. Finish: Powder coating of specified components.
 - 4. Detection and Alarm: Provision of fire alarm.
 - 5. Site Electrical: Provision of 240VAC, 10Amp General purpose outlets (GPO's)
 - 6. Product Electrical: System connection including cable glands, junction boxes, conductors, wiring devices, and backup power.

1.02 REFERENCES

- A. National Construction Code and Fire Engineers Report:
 - 1. NCC 2014/2015
 - 2. FE Report Y; Version XX, Dated;
- B. Standards:
 - 1. AS1670 – Automatic detection and alarm systems
 - 2. EN12101.1 – Smoke and heat control systems. Specification for smoke barriers.
 - 3. AS3837– Method of test for heat and smoke release rates for materials and products using an oxygen consumption calorimeter
 - 4. AS6905.1 – Smoke Doors
 - 5. AS1530.7 – Methods for fire tests on building materials, components and structures. Part 7 – Smoke control assemblies – ambient and medium temperature leakage test procedure.

1.03 SUSTAINABLE DESIGN REQUIREMENTS

- A. ESD: Comply with sustainable design requirements including, without limitation, submittal and documentation requirements.
- B. Credit/Point Goals Applicable To This Section: In addition to global project credit/point goals:
 - 1. Materials & Resources - construction waste management
 - 2. Materials & Resources - recycled content
 - 3. Materials & Resources - regional materials
 - 4. Indoor Environmental Quality - construction IAQ management plan

1.04 SUBMITTALS

- A. Comply with Submittal Procedures:
 - 1. NCC Clause A2.2 Evidence of Suitability – submit Approval clearly identifying maximum Smoke Performance Level and maximum allowable sizes.
 - 2. Manufacturers Product data
 - 3. Shop drawings:
 - a. Curtain location and unique identification number
 - b. Include opening dimensions
 - c. Show and identify related work performed under other sections of the specifications including access and electrical requirements
 - 4. Quality Assurance/Control Submittals:
 - a. Site Inspection and Test Plan.
 - b. Manufacturers ISO 9001 Certificate of Accreditation

1.05 CLOSEOUT SUBMITTALS

- A. Comply with Project Closeout:
 - 1. Certificate of Compliance with reference to Fire Engineers Report and Evidence of Suitability.
 - 2. Operation and maintenance manual.
 - 3. Manufacturer's warranty.

1.06 QUALITY ASSURANCE

- A. Certifications:
 - 1. EN12101.1 – Smoke and heat control systems. Specification for smoke barriers.
 - 2. National Construction Code Clause C1.10 when tested to AS3837
 - 3. Laboratory cycle tested on a 3m x 3m complete assembly
- B. Pre-Installation Meeting:
 - 1. Schedule and convene a pre-installation meeting prior to commencement of field operations with representatives of the following in attendance: Owner, Architect, General Contractor, fire curtain sub-contractor, mechanical sub-contractor, electrical sub-contractor, and ceiling/fitout sub-contractor
 - 2. Review substrate conditions, requirements of related work, installation instructions, storage and handling procedures, and protection measures.
 - 3. Document the responsibilities of various parties and deviations from specifications and installation instructions.

1.07 DELIVERY, STORAGE, AND HANDLING

- A. Comply with project delivery, storage, and handling requirements.
- B. Comply with manufacturer's instructions.

1.08 WARRANTY

- A. Provide manufacturer's standard one year warranty for Defect Liability Period.
- B. Maintenance and Testing:
 - 1. Perform minimum quarterly maintenance and testing on each fire curtain as required by the manufacturer's warranty, AS1851 - Maintenance, and as required by the Fire Engineers Report.

2. Provide Commissioning documentation including Project name, project address, location and curtain number, number of cycles tested, observations, comments (eg: curtain out of alignment), notes (eg: curtain alignment repaired), Pass/fail.
3. Re-certification after the defect liability period

PART 2 - PRODUCTS

2.01 MANUFACTURED UNITS

- A. Proprietary item; Model Smokehalt - V automatic overhead coiling smoke curtain.
- B. Manufacturer:
 1. Smoke Control Systems Pty Ltd
 2. Distributed by Smoke Control Systems Pty Ltd, 26 Ferndell St, South Granville, NSW 2142, Australia www.smokecontrol.com.au
- C. Label each fire curtain with following information:
 1. Manufacturer's name and contact details.
 2. Curtain location and unique identification number
 3. Fire Resistance Level
 4. Date of installation

2.02 DESIGN CRITERIA

- A. Country of Manufacture: Australia
- B. Maximum permissible size; 8000mm wide x 3000mm drop and 4000mm wide x 4000 mm drop.
- C. Head box; 165 H x 163 W mm
- D. Bearing type: Standard fixed end bearings
- E. Side guide; 100 mm x 50mm

See manufacturer's literature for head box and side guide mounting options.

- F. Side guide restraint system; Standard tab and button type
- G. Fabric type; 660g/m² stainless steel woven fabric, incorporating a coated glassfibre material to reduce radiant heat transmission.
- H. Motor type; Proprietary Smoke Control 24V tubular motor with torque selection based on curtain size, upper limited determined by overload current (resistance), reverting to hold current.
- I. Bottom bar; 35mm wide (at the base) Triangular section, requiring a 50mm min. slot in the ceiling lining.
- J. Accessories;
 - a. Curtain mounted re-wind switch,
 - b. Linear obstruction sensors mounted at 200mm above finished floor level
 - c. Strobes and sounders
 - d. Bottom bar cover
- K. Finishes; Dulux Duralloy colour range (Standard)

- L. Load requirements at head = 25kg/m of width
- M. Load requirements at sides = 20kg/m of height
- N. Mounting orientation
 - 1. Installation Configuration: Housing attached directly to substrate above opening, face fixed to wall or suspended from slab above. [*delete mounting type not applicable*].
 - 2. Fabricate and install mounting brackets, hardware, and fasteners needed to attach fire curtain assembly to building structure.
- O. Signage on curtain (standard stencils)
 - 1. Green running man (350 x 350mm)
 - 2. Arrows (350 x 190mm high)
 - 3. Fire Safety Curtain (150mm high x 1500mm long)
 - 4. Push Button (100mm high)

2.03 PERFORMANCE CRITERIA

- 1. Smoke Performance Level (FRL): D30
- 2. Smoke leakage: Not applicable
- 3. Group Number for fabric: 1 when tested in accordance with AS3837
- 4. Durability; light duty – tested to 30,000 maintenance free cycles
- 5. Maximum pressure; $\Delta 25\text{Pa}$
- 6. Maximum allowable gap to non-combustible sill 25mm
- 7. Combustible floor coverings permitted at threshold (conditions apply)
- 8. Closing time of 100 - 200mm/sec
- 9. Time delay to required (exhaust/pressurization) fan speed = 60 seconds (min) – 90 seconds (max). Time is dependent on drop height of curtain.
- 10. Time delay for rewind; ensure fan speed is zero + 20 seconds prior to reset of alarm signal from FIP enabling curtain rewind.
- 11. Fail safe close on loss of power and/or signal trip using battery backup.
- 12. Motor rewind automatically on re-set of power and alarm signal, no service call needed.
- 13. Battery backup for nuisance deploys (power failure only) (*delete if not required*)
- 14. Commissioning shall be conducted in conjunction with Mechanical services and detection/alarm system. Systems shall be balanced to work together without over pressurizing the fire curtain.
- 15. Maintenance shall be conducted quarterly by the Manufacturer and/or their nominated representative to the Manufacturers recommendations.

2.04 COMPONENTS

- A. Curtain Fabric: Smokehalt glass fibre material coated on a single side with polyurethane.
- B. Side Guide Assembly: 1.6mm thick Zinalume mild steel incorporating a welded pin along its spine for rigidity.
- C. Housing/Bearing Type: 1.6mm thick galvanized mild steel head box incorporating a fixed pivot bearing.
- D. Bottom Bar: 2mm thick galvanized mild steel triangular section to assist with resistance to pressure differentials incorporating staggered joints to span wider distances.
- E. SCS2000 Series Rewind Motor
 - 1. Tubular motor with fail safe gravity deploy operation.
 - 2. Upper limit set by placing physical obstruction in the path of the bottom bar.
 - 3. 24 VDC.
- F. SCS2034 Series Trigger Unit

1. Battery backup (*delete if not required*).
2. 240 VAC power
3. Normally closed 0 Volt alarm signal

PART 3 - EXECUTION

3.01 EXAMINATION

- A. Examine substrates upon which work will be installed.
 1. Verify related work performed under other sections is complete and in accordance with shop drawings.
 2. Verify wall surfaces are acceptable for installation of smoke curtain system components
 3. Verify setout point locations.
- B. Coordinate with responsible entity to perform corrective work on unsatisfactory substrates.
- C. Coordinate electrical interface and connection with Electrical sub-contractor.
- D. Coordinate fire and alarm interface with fire sub-contractor.
- E. Commencement of work by installer is acceptance of substrate.

3.02 INSTALLATION

- A. Install smoke curtain system components in accordance with smoke curtain approvals and manufacturer's installation instructions.
- B. While some Registered Testing Authorities provide Formal Opinions in regards to the expected smoke performance level of smoke curtains, they do not discuss nor provide a warranty in regards to their reliability. Experience shows that some manufacturer designs of smoke curtains do not operate reliably once installed and attract extraordinarily high maintenance costs. For this reason multiple barrel, overlapped smoke curtains are deemed not equivalent to this specification on this project and shall not be substituted for a single barrel continuous span system.
- C. Once installed it shall be demonstrated that the system shall gravity fail safe close on the receipt of an alarm signal or loss of power without the need of battery backup. On reset of power and the alarm signal the system shall automatically rewind to its standby position.

3.03 FIELD QUALITY CONTROL

A. Field Test 1: Calibration

Follow manufacturer's cycle test procedures prior to application of mechanical services.

1. Conduct a minimum of 10 consecutive, error free cycle tests
2. Complete Inspection and Test Plan

B. Field Test 2: Balancing test

Test operation on general alarm in conjunction with mechanical services

1. Adjust fan speed and activation timing to ensure pressure does not exceed $\Delta 25\text{Pa}$ across smoke curtain and to minimize gaps at the sill.

C. Field Test 3: Commissioning

- Test operation on general alarm (or zone alarm as required by Fire Engineers Report) by activating an adjacent smoke detector
1. Notify Owner's Representative, local Fire Services and alarm sub-contractor minimum one week in advance of scheduled testing.
 2. Complete Commissioning submittals.

END OF SECTION

SCS PROJECT - SCS-SH

SMOKEALT INFORMATION TEMPLATE



ATTENTION: TECHNICAL REQUIREMENTS FOR THIS PROJECT



No	DESCRIPTION	REQUIREMENT	RESPONSIBILITY
1	WORKS DONE BY OTHERS	ALL DETAILS PERTAINING TO WORK BY OTHERS IS AN ADVISEMENT ONLY AND IT IS THE RESPONSIBILITY OF THE SUPPLIER AND INSTALLER OF THE ITEM/S TO CONFIRM COMPLIANCE TO ITS SUITABILITY FOR THE PURPOSE AND TO CERTIFY ITS COMPLIANCE TO THE REQUIRED FRL TO THE SATISFACTION OF THE FE OR CERTIFIER.	BUILDER, ARCHITECT, OTHER TRADES
2	SHOP DRAWINGS	APPROVAL OF SHOP DRAWINGS (SIGNITURE AND DATE) IS REQUIRED TO BE RETURNED TO SMOKE CONTROL SYSTEM BEFORE MANUFACTURE CAN COMMENCE.	BUILDER, ARCHITECT
3	DELIVERIES TO SITE	IF REQD. FORKLIFT TO BE MADE AVAILABLE.	BUILDER
4	VERTICAL MOVEMENT OF PRODUCT	IF REQD. CRANE SHALL BE AVAILABLE TO SMOKE CONTROL SYSTEMS AT AGREED TIME OF DELIVERY. IF THIS IS NOT AVAILABLE, THIS MAY INCUR EXTRA CHARGES.	BUILDER
5	STORAGE	SUFFICIENT CLEAR FLOOR SPACE TO BE MADE AVAILABLE IMMEDIATELY ADJACENT TO EACH INSTALLATION LOCATION.	BUILDER
6	ACCESS TO WORKFACE (INSTALLATION)	REASONABLY ADEQUATE WORKING AREA REQD., MIN 500mm FROM SYSTEM TO STRUCTURE IS IDEAL. SUBJECT TO SITE CONDITIONS.	BUILDER
7	BALUSTRADES (WHERE PRESENT)	BALUSTRADES MUST NOT INTERFERE WITH THE OPERATION OF CURTAIN IN ANY WAY. MIN. 100mm FROM SYSTEM TO BALUSTRADE OFFSET IS IDEAL.	BUILDER
8	ACCESS PANELS (INSTALATION WITHIN CEILING CAVITY)	450X450 NOM. ACCESS PANELS TO BE PROVIDED. THREE EQUALLY SPACED PANELS (ONE ON EITHER END AND ONE DEAD CENTRE) WILL BE REQUIRED WHERE ACCESS TO HEAD BOX IS RESTRICTED. MAY NOT BE REQD. WHERE REMOVABLE GRID CEILING ALLOWS FOR CLEAR ACCESS TO CURTAIN CONTROLLERS.	BUILDER, CEILING CONTRACTOR
9	POWER REQUIREMENTS	240 VOLT 10 AMP GPO TO BE LOCATED NO MORE THAN 1m AWAY FROM NOMINATED LOCATION OF CURTAIN CONTROLLERS.	BUILDER, ELECTRICAL
10	ALARM SIGNAL, ACTIVATION	0 VOLT NORMALLY CLOSED CONTACT (OPEN ON ALARM) TO BE PROVIDED WITHIN 1 METRE OF CURTAIN CONTROLLER.	BUILDER, ELECTRICAL, FIRE
11	PRESSURISATION, EXHAUST SYSTEMS	IMPORTANT: BALANCING TO CONSIDER AFFECTS OF CURTAINS 20 PA MAX. PRESSURE DIFFERENTIAL STRONGLY RECOMMENDED.	BULDER, MECHANICAL SERVICES
12	TUNING	ALL SCAFFOLDING & OTHER TRADES TO BE CLEAR 2 DAYS PRIOR TO TUNING & COMMISSIONING.	BUILDER
13	COMMISSIONING STAGE 1	PRACTICAL COMPLETION TESTS: PERMANENT POWER & ALARMS CONNECTED FOR DRY RUN PRIOR TO CSC. CURTAINS MUST BE ISOLATED DURING INDIVIDUAL COMMISSIONING OF OTHER ESSENTIAL SERVICES. (PRODUCT LOCKED IN OPEN POSITION AFTER TESTING)	SMOKE CONTROL SYSTEMS & BUILDER
14	COMMISSIONING STAGE 2	COORDINATED SERVICES COMMISSIONING (CSC)	SMOKE CONTROL SYSTEMS
15	COMMISSIONING STAGE 3	WITNESS TESTING, FINAL COMMISSIONING & HANDOVER	SMOKE CONTROL SYSTEMS

DRAWING INDEX

SHEET	DESCRIPTION	REV
0001	COVER SHEET	A
0101	TYPICAL SHOP DRAWING	A
0102	'L' CONFIGURATION DETAILS	A
0103	HEAD BOX FIXING DETAILS & BOTTOM BAR OPTION	A
0104	SIDE GUIDE FIXING DETAIL	A

THIS DRAWING IS COPYRIGHT AND THE PROPERTY OF THE AUTHOR, AND MUST NOT BE RETAINED, COPIED OR USED WITHOUT THE AUTHORITY OF SMOKE CONTROL SYSTEMS PTY. LTD.
 • DO NOT SCALE FROM DRAWING, USE PROVIDED DIMENSIONS ONLY.
 • ALL DISCREPANCIES MUST BE BROUGHT TO THE ATTENTION OF AUTHOR.
 • SMOKE CONTROL SYSTEMS DO NOT TAKE RESPONSIBILITY OF MEASUREMENTS PROVIDED BY OTHERS.

REV	CHK	REASON	DATE
A	BK	FOR INFORMATION	06/04/2017

FOR APPROVAL

PLEASE PROVIDE NAME, COMPANY, DATE, & SIGNATURE FOR YOUR FORMAL APPROVAL OF THESE SHOP DRAWINGS. THIS IS REQD. FOR SCS TO COMMENCE MANUFACTURE OF PARTS.

SMOKE CONTROL

WWW.SMOKECONTROL.COM.AU

AUSTRALIAN HEADOFFICE NEW ZEALAND
 PHONE: 1300 665 471 PHONE: 09 300 1980
 INFO@SMOKECONTROL.COM.AU INFO@SMOKECONTROL.CO.NZ

PROJECT
 SCS-SH
 SMOKEHALT INFORMATION
 PRODUCT TEMPLATE

CLIENT
 FOR INFORMATION ONLY

TITLE
 COVER SHEET

SUB SET (CATEGORY)
SPECIFICATIONS

DRAWING NUMBER
SCS-SH-0001

DRAWN BY IGOR REBENKO	ISSUE STATUS: INFORMATION
--------------------------	------------------------------

START DATE 04/11/2015	SCALE N/A
--------------------------	--------------

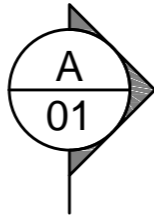
<<< 594mm

SMOKEHALTS	HEAD BOX & BOTTOM BAR	GALVANISED STEEL	SMOKE RATED UL1784 & AS1530.7 UP TO DH120	HEAD BOX	SIDE GUIDES	BOTTOM BAR	POWDER COATED TO DULUX DURALLOY COLOUR RANGE AVAILABLE IN GALVANISED AND STAINLESS FINISH (PLEASE ENQUIRE)
SYSTEM	COMPONENT	MATERIALS	FRL	COLOUR/FINISH			
	SIDE GUIDES	GALVANISED STEEL					
	FABRIC	1100°C RATED					

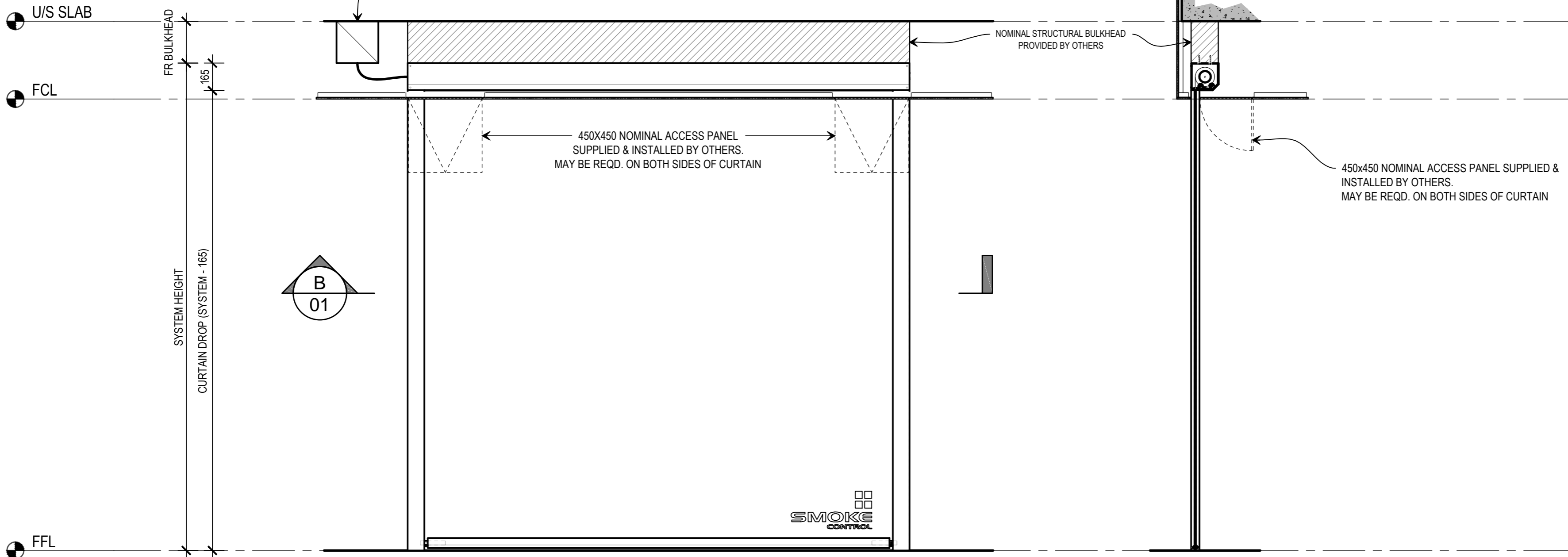
PRODUCT SPECIFICATIONS

FILE: SCS-SH-TEMP.dwg -- PLOTTED ON 06/04/2017 BY IGOR REBENKO

CURTAIN CONTROLLER:
 SCS2034 SERIES TRIGGER UNIT
 REQS. 240V 10A GPO & 0 VOLT NORMALLY CLOSED
 DRY CONTACT TO FIP TO BE PROVIDED BY OTHERS.
 DIMS: APPROX. 250x250x100
 MUST BE LOCATED NO FURTHER THAN 1m AWAY
 FROM MOTOR

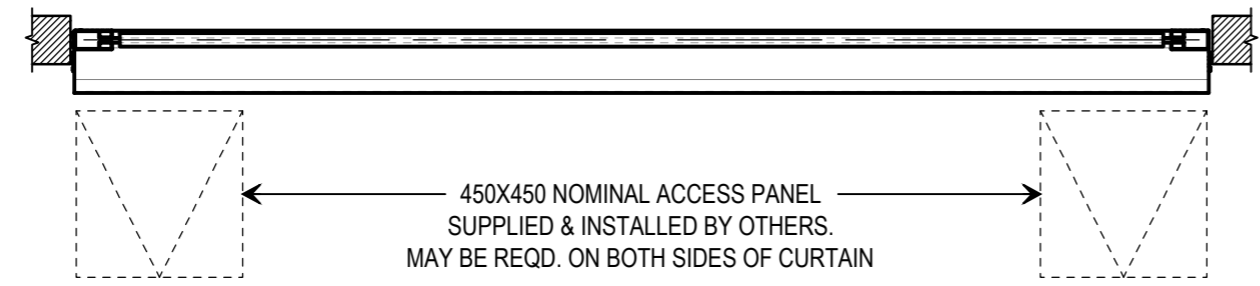


SYSTEM WIDTH
 BETWEEN SIDE GUIDE (SYSTEM - 200)



1 FRONT ELEVATION
 TYPICAL FYREHALT INSTALL
 SCALE 1:20 @ A2

B SIDE ELEVATION
 SECTION
 SCALE 1:20 @ A2



B REFLECTED PLAN
 SECTION
 SCALE 1:20 @ A2

THIS DRAWING IS COPYRIGHT AND THE PROPERTY OF THE AUTHOR, AND MUST NOT BE
 RETAINED, COPIED OR USED WITHOUT THE AUTHORITY OF SMOKE CONTROL SYSTEMS
 PTY. LTD.
 DO NOT SCALE FROM DRAWING. USE PROVIDED DIMENSIONS ONLY.
 ALL DISCREPANCIES MUST BE BROUGHT TO THE ATTENTION OF AUTHOR.
 SMOKE CONTROL SYSTEMS DO NOT TAKE RESPONSIBILITY OF MEASUREMENTS
 PROVIDED BY OTHERS.

CHK	REASON	DATE
A BK	FOR INFORMATION	06/04/2017

DISCLAIMER

INFORMATION GIVEN IN SMOKECONTROL.COM.AU AND PUBLICATIONS FOR
 DOWNLOAD ARE GIVEN TO THE BEST OF OUR KNOWLEDGE AND IN GOOD
 FAITH. SMOKE CONTROL IS NOT RESPONSIBLE IF RECIPIENTS OF TEST
 REPORTS, ASSESSMENTS OR LITERATURE MISINTERPRET THE CONTENTS
 AND WRONGLY USE PRODUCTS BASED ON THOSE MISINTERPRETATIONS. NO
 LIABILITY IS ACCEPTED FOR ERROR OMISSIONS IN THIS WEB SITE OR OUR
 DOCUMENTS. IN THE INTERESTS OF IMPROVEMENTS AND CONTINUED
 DEVELOPMENT SMOKE CONTROL RESERVES THE RIGHT TO CHANGE
 SPECIFICATION WITHOUT NOTICE.

**INFORMATION
 COPY ONLY**

SMOKE CONTROL
 WWW.SMOKECONTROL.COM.AU
 AUSTRALIAN HEADOFFICE: 1300 665 471
 NEW ZEALAND: 09 300 1980
 INFO@SMOKECONTROL.COM.AU

PROJECT
 SCS-SH
 SMOKEHALT INFORMATION
 PRODUCT TEMPLATE
 CLIENT
 FOR INFORMATION ONLY

TITLE
 TYPICAL SHOP DRAWING

SMOKEHALT SMOKE CURTAIN
 UP TO DH120

SUB SET (CATEGORY)
ARCHITECTURAL

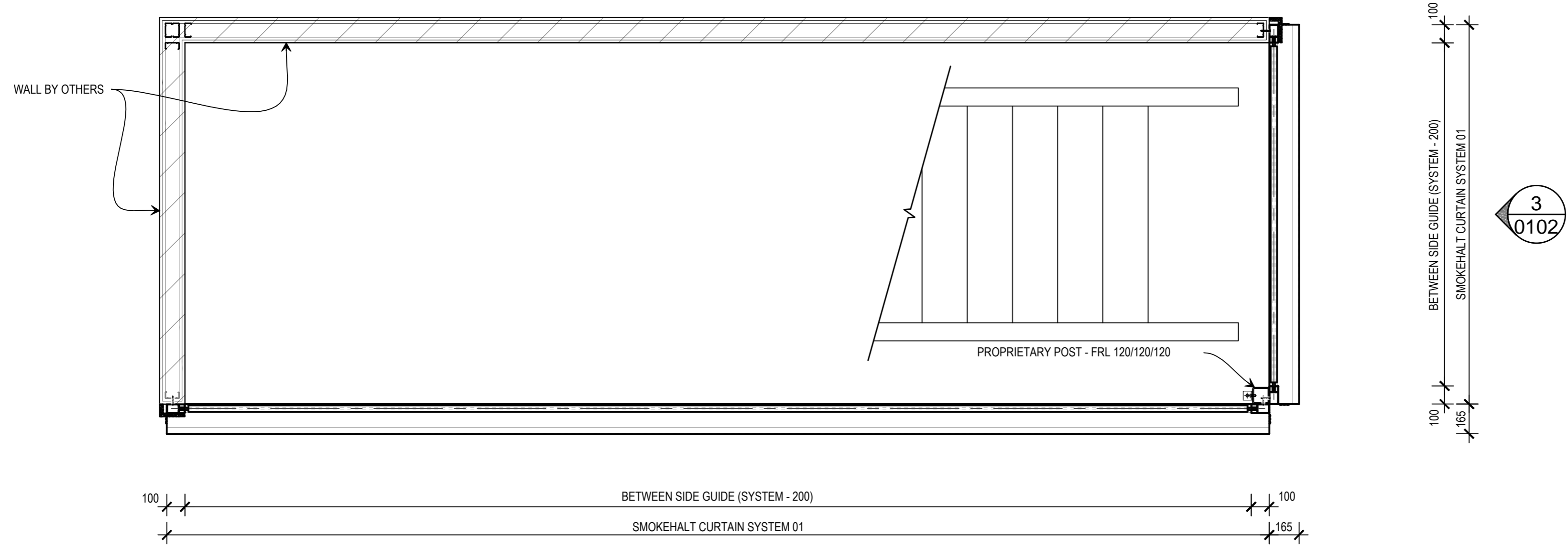
DRAWING NUMBER
SCS-SH-TEMP-0101

DRAWN BY IGOR REBENKO	ISSUE STATUS: INFORMATION
START DATE 04/11/2015	SCALE 1:20

FILE: SCS-SH-TEMP.dwg -- PLOTTED ON 06/04/2017 BY: IGOR REBENKO

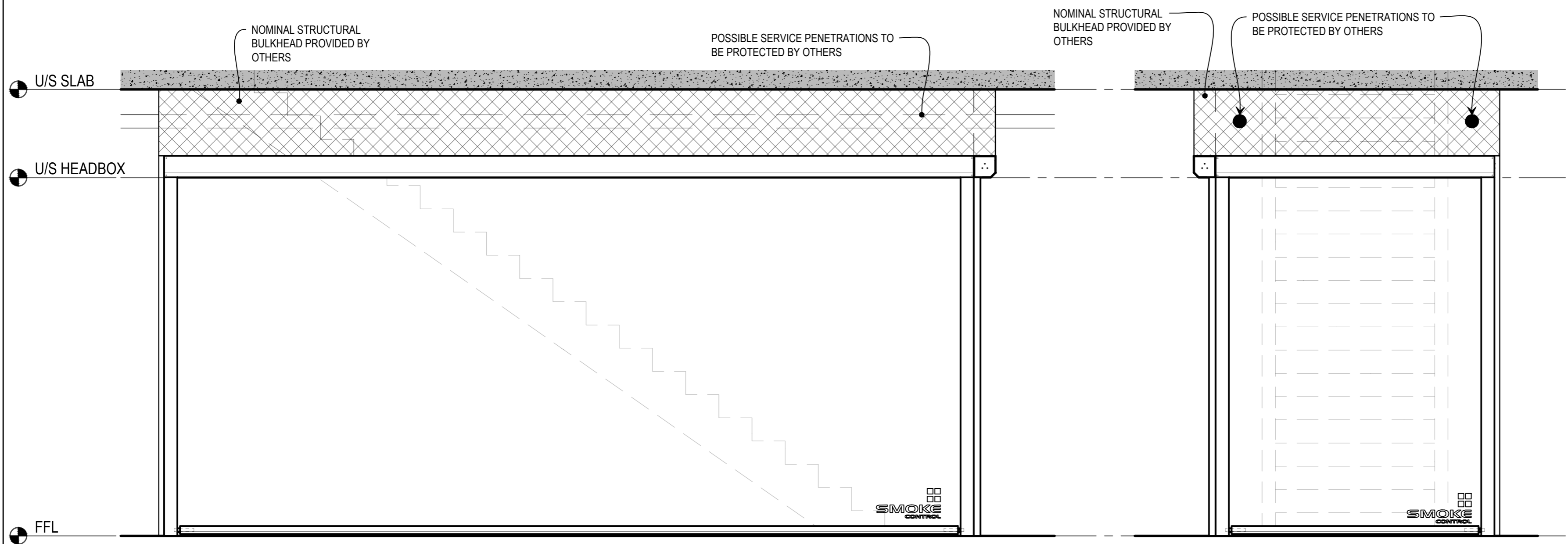
THIS DRAWING IS COPYRIGHT AND THE PROPERTY OF THE AUTHOR, AND MUST NOT BE RETAINED, COPIED OR USED WITHOUT THE AUTHORITY OF SMOKE CONTROL SYSTEMS PTY. LTD.
 DO NOT SCALE FROM DRAWING. USE PROVIDED DIMENSIONS ONLY.
 ALL DISCREPANCIES MUST BE BROUGHT TO THE ATTENTION OF AUTHOR.
 SMOKE CONTROL SYSTEMS DO NOT TAKE RESPONSIBILITY OF MEASUREMENTS PROVIDED BY OTHERS.

NO	CHK	REASON	DATE
A	BK	FOR INFORMATION	06/04/2017



1 FLOOR PLAN
SMOKEHALT EXAMPLE CONFIGURATION
 SCALE 1:20 @ A2

2
 0102



2 ELEVATION
CURTAIN 01 - FRONT VIEW
 SCALE 1:25 @ A2

3 ELEVATION
CURTAIN 02 - FRONT VIEW
 SCALE 1:25 @ A2

DISCLAIMER
 INFORMATION GIVEN IN SMOKECONTROL.COM.AU AND PUBLICATIONS FOR DOWNLOAD ARE GIVEN TO THE BEST OF OUR KNOWLEDGE AND IN GOOD FAITH. SMOKE CONTROL IS NOT RESPONSIBLE IF RECIPIENTS OF TEST REPORTS, ASSESSMENTS OR LITERATURE MISINTERPRET THE CONTENTS AND WRONGLY USE PRODUCTS BASED ON THOSE MISINTERPRETATIONS. NO LIABILITY IS ACCEPTED FOR ERROR OMISSIONS IN THIS WEB SITE OR OUR DOCUMENTS. IN THE INTERESTS OF IMPROVEMENTS AND CONTINUED DEVELOPMENT SMOKE CONTROL RESERVES THE RIGHT TO CHANGE SPECIFICATION WITHOUT NOTICE.

INFORMATION COPY ONLY

SMOKE CONTROL
 WWW.SMOKECONTROL.COM.AU
 AUSTRALIAN HEADOFFICE PHONE: 1300 665 471
 NEW ZEALAND PHONE: 09 300 1980
 INFO@SMOKECONTROL.COM.AU INFO@SMOKECONTROL.CO.NZ

PROJECT
 SCS-SH
 SMOKEHALT INFORMATION
 PRODUCT TEMPLATE
 CLIENT
 FOR INFORMATION ONLY

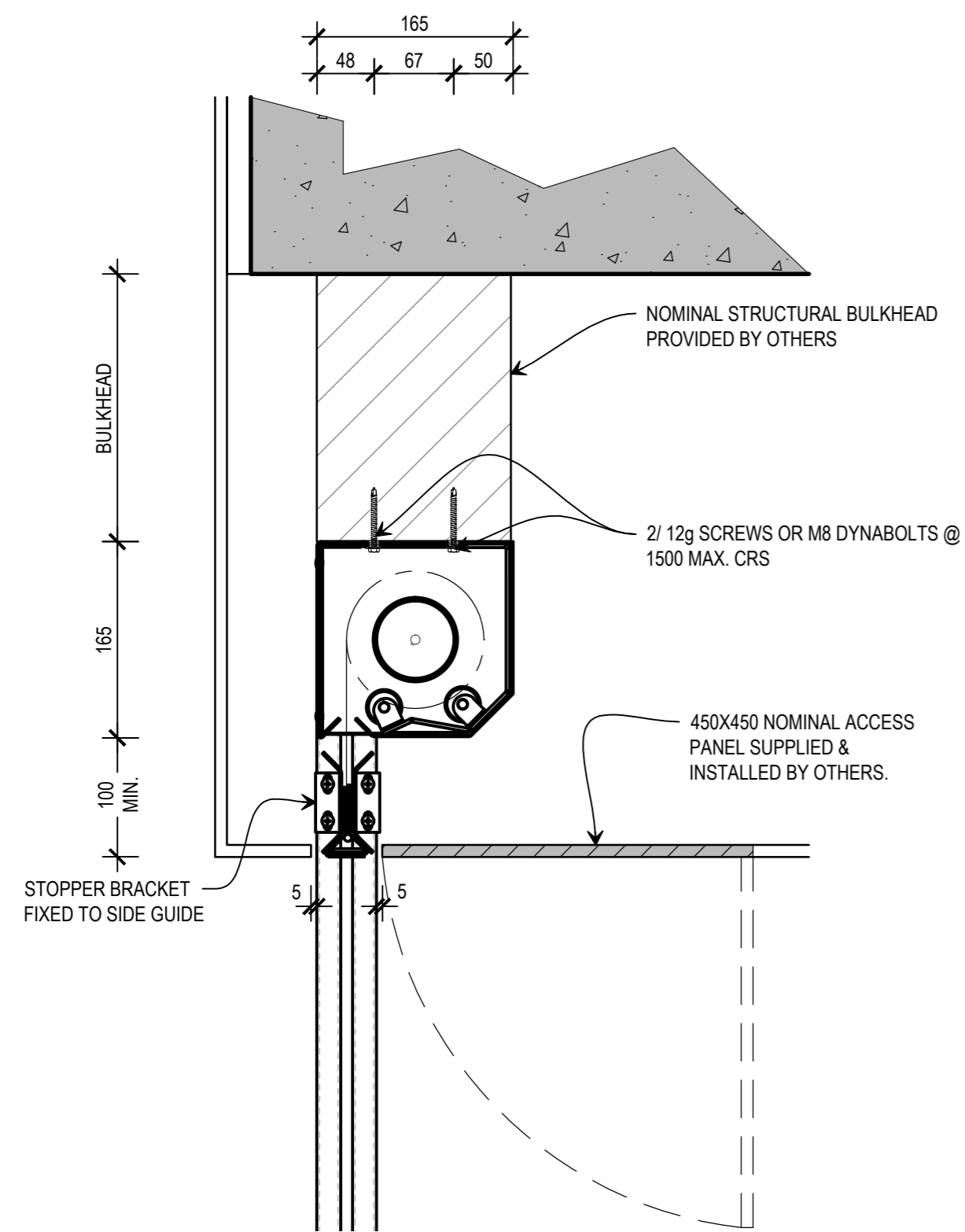
TITLE
 'L' CONFIGURATION DETAILS
 SMOKEHALT SMOKE CURTAIN

SUB SET (CATEGORY)
ARCHITECTURAL
 DRAWING NUMBER
SCS-SH-TEMP-0102

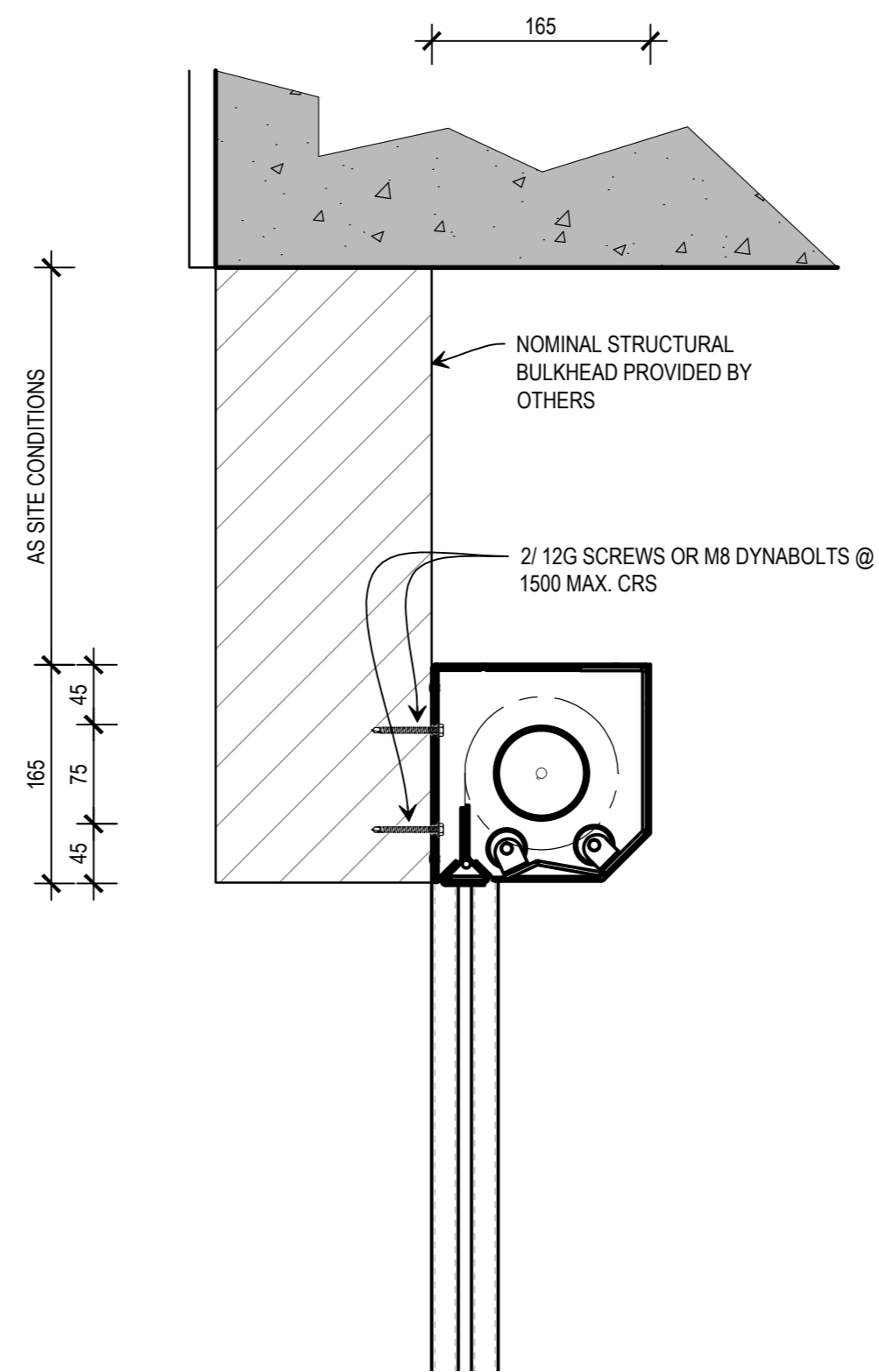
DRAWN BY IGOR REBENKO	ISSUE STATUS: INFORMATION
START DATE 04/11/2015	SCALE 1:20, 1:25 @A2

FILE: SCS-SH-TEMP.dwg -- PLOTTED ON 06/04/2017 BY: IGOR REBENKO

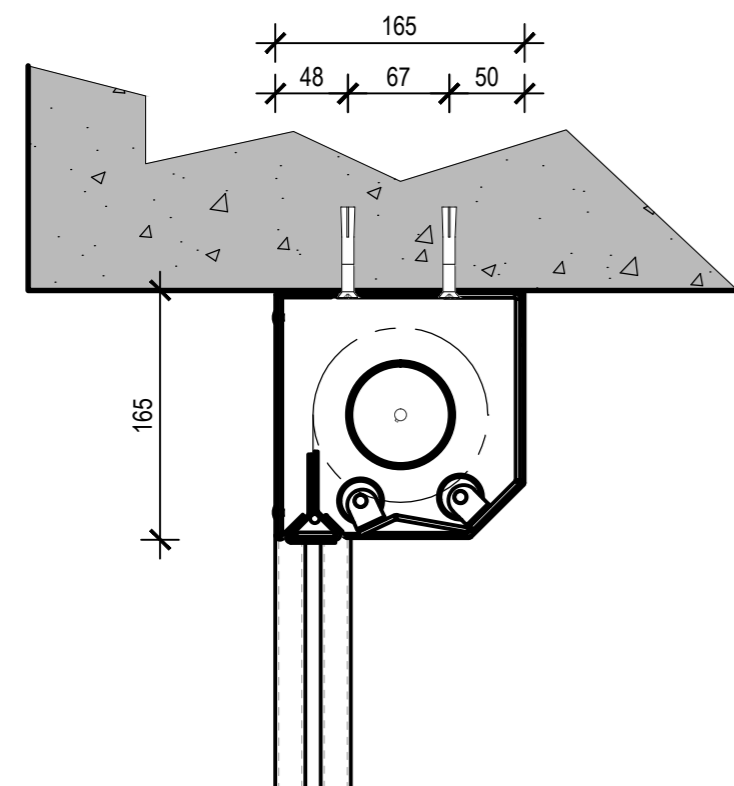
420mm >>>
 <<< 594mm



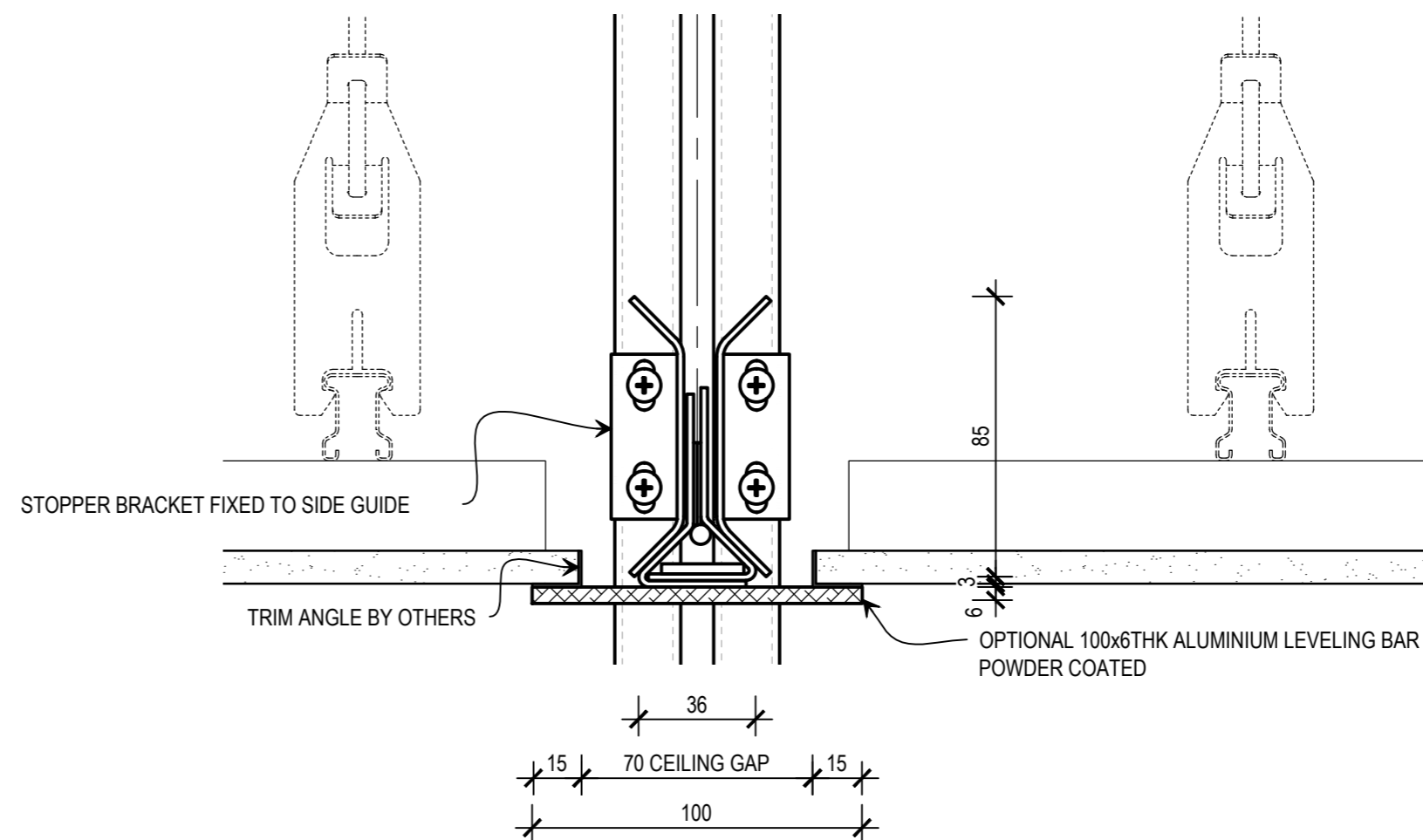
1 SIDE ELEVATION
SOFFIT FIXING DETAIL
SCALE 1:5 @ A2



2 ELEVATION
FACE FIXING DETAIL
SCALE 1:5 @ A2



3 SIDE ELEVATION
FIXED TO SLAB
SCALE 1:5 @ A2



4 ELEVATION
OPTIONAL LEVELING BOTTOM BAR
SCALE 1:2 @ A2

THIS DRAWING IS COPYRIGHT AND THE PROPERTY OF THE AUTHOR, AND MUST NOT BE RETAINED, COPIED OR USED WITHOUT THE AUTHORITY OF SMOKE CONTROL SYSTEMS PTY. LTD.
DO NOT SCALE FROM DRAWING. USE PROVIDED DIMENSIONS ONLY.
ALL DISCREPANCIES MUST BE BROUGHT TO THE ATTENTION OF AUTHOR.
SMOKE CONTROL SYSTEMS DO NOT TAKE RESPONSIBILITY OF MEASUREMENTS PROVIDED BY OTHERS.

CHK	REASON	DATE
A BK	FOR INFORMATION	06/04/2017

DISCLAIMER

INFORMATION GIVEN IN SMOKECONTROL.COM.AU AND PUBLICATIONS FOR DOWNLOAD ARE GIVEN TO THE BEST OF OUR KNOWLEDGE AND IN GOOD FAITH. SMOKE CONTROL IS NOT RESPONSIBLE IF RECIPIENTS OF TEST REPORTS, ASSESSMENTS OR LITERATURE MISINTERPRET THE CONTENTS AND WRONGLY USE PRODUCTS BASED ON THOSE MISINTERPRETATIONS. NO LIABILITY IS ACCEPTED FOR ERROR OMISSIONS IN THIS WEB SITE OR OUR DOCUMENTS. IN THE INTERESTS OF IMPROVEMENTS AND CONTINUED DEVELOPMENT SMOKE CONTROL RESERVES THE RIGHT TO CHANGE SPECIFICATION WITHOUT NOTICE.

INFORMATION COPY ONLY



WWW.SMOKECONTROL.COM.AU

AUSTRALIAN HEADOFFICE PHONE: 1300 665 471
NEW ZEALAND PHONE: 09 300 1980
INFO@SMOKECONTROL.COM.AU INFO@SMOKECONTROL.CO.NZ

PROJECT
SCS-SH
SMOKEHALT INFORMATION
PRODUCT TEMPLATE

CLIENT
FOR INFORMATION ONLY

TITLE
HEAD BOX FIXING DETAIL
OPTIONAL LEVELING BOTTOM BAR
SMOKEHALT SMOKE CURTAIN

SUB SET (CATEGORY)
ARCHITECTURAL

DRAWING NUMBER
SCS-SH-TEMP-0103

DRAWN BY
IGOR REBENKO

ISSUE STATUS:
INFORMATION

START DATE
04/11/2015

SCALE
1:5, 1:2

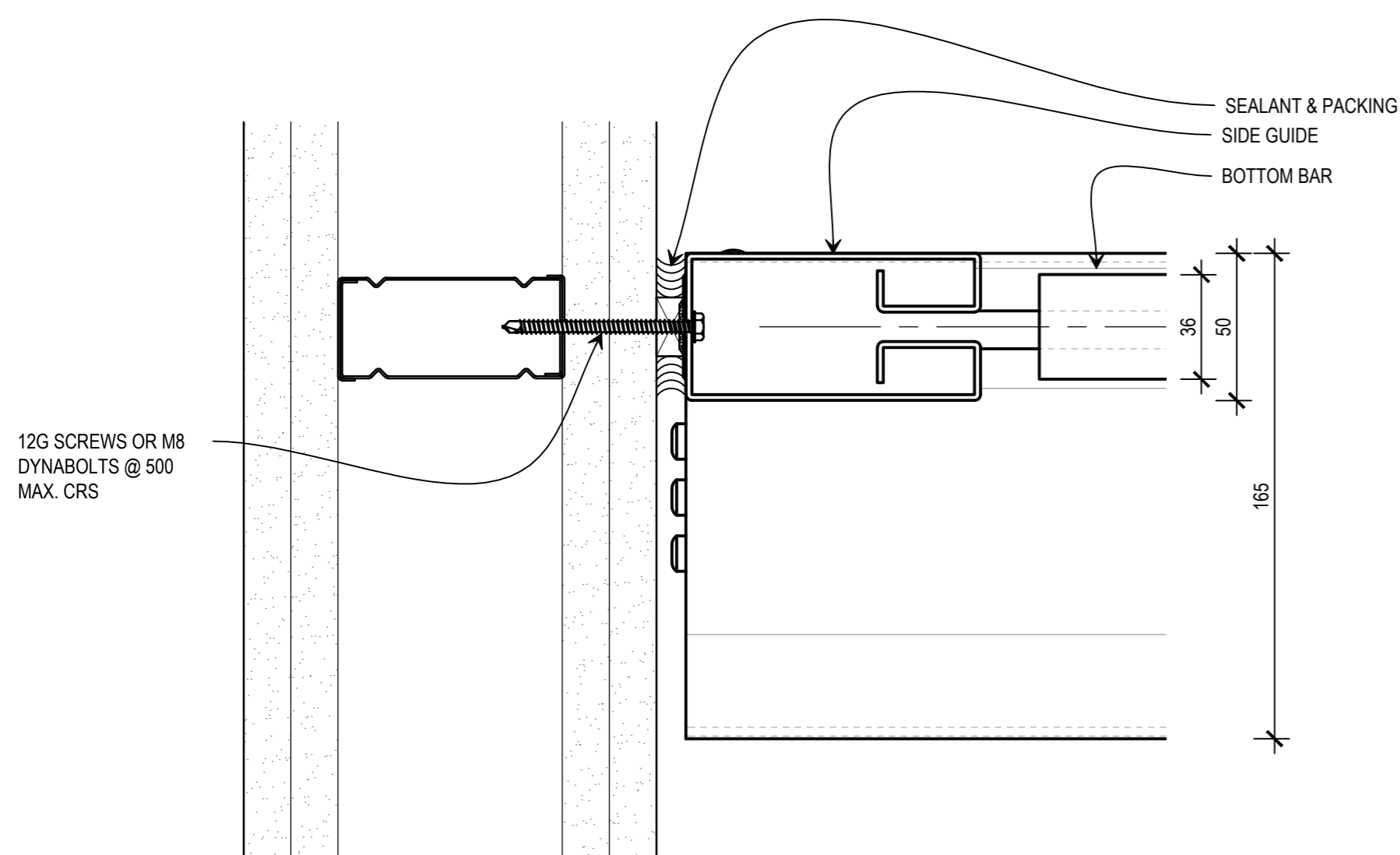
@A2

<<< 594mm

FILE: SCS-SH-TEMP.dwg -- PLOTTED ON 06/04/2017 BY: IGOR REBENKO

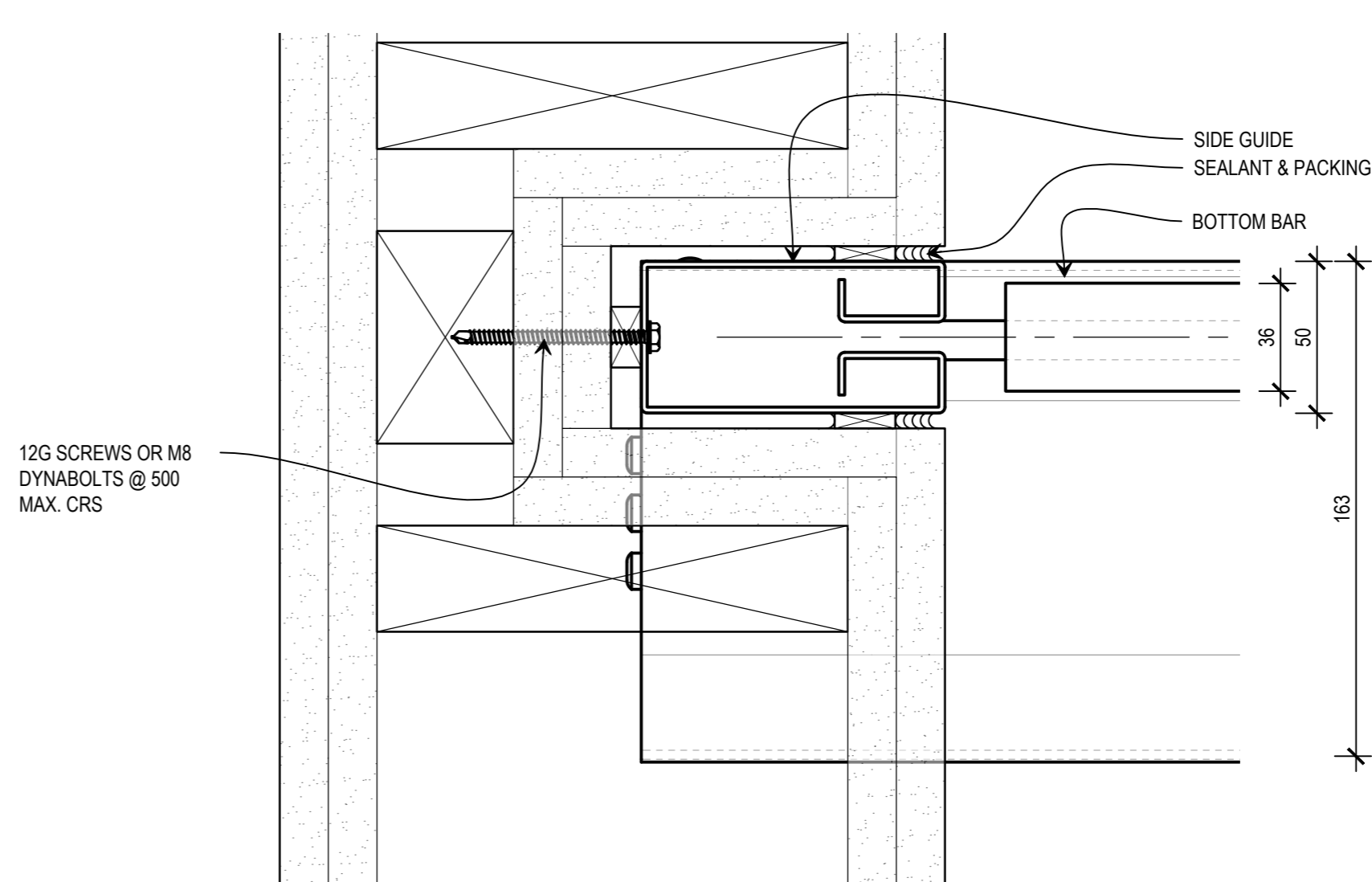
>>> 420mm

10-20 100 10

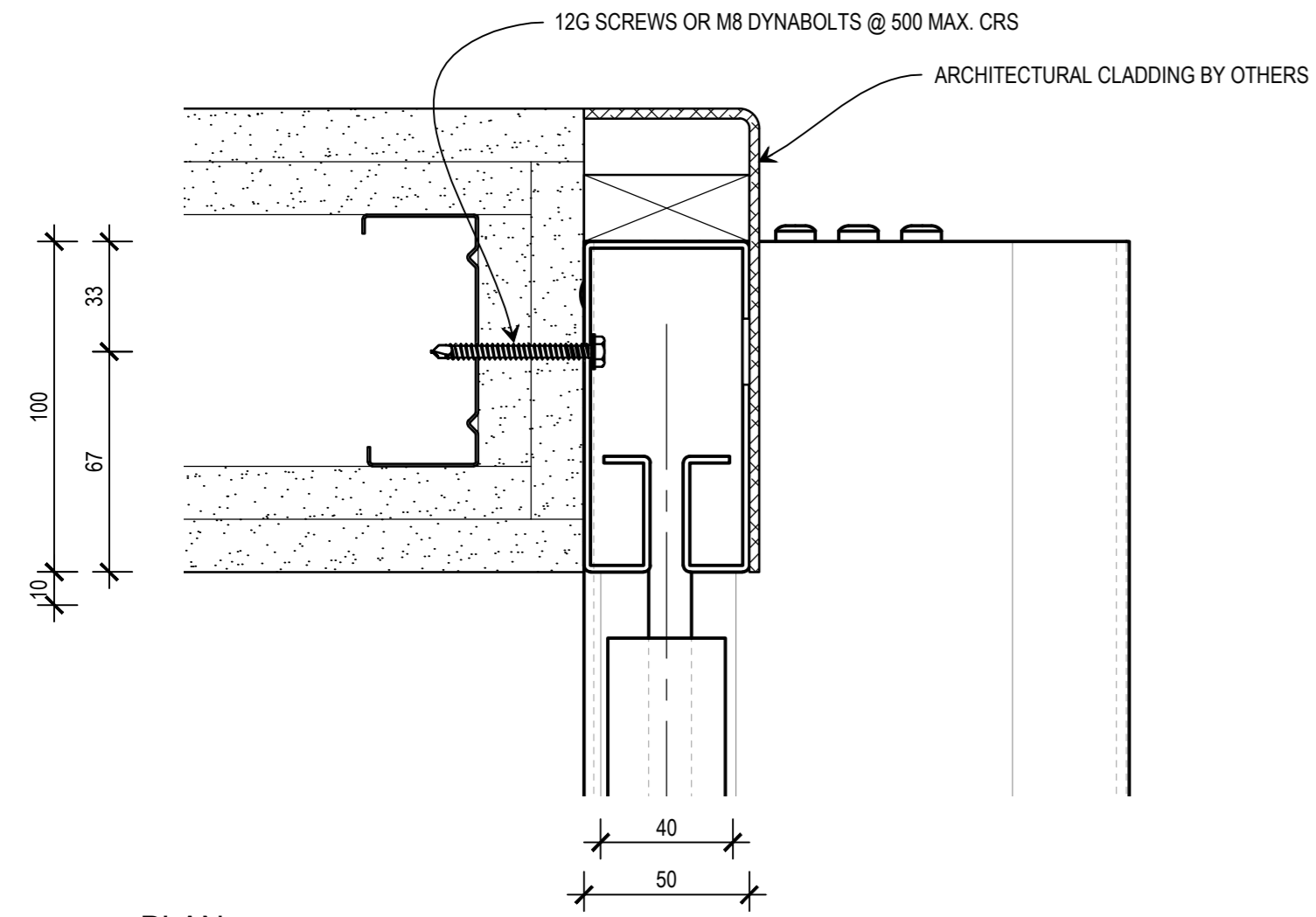


1 PLAN
TOE FIXED SIDE GUIDE
SCALE 1:2 @ A2

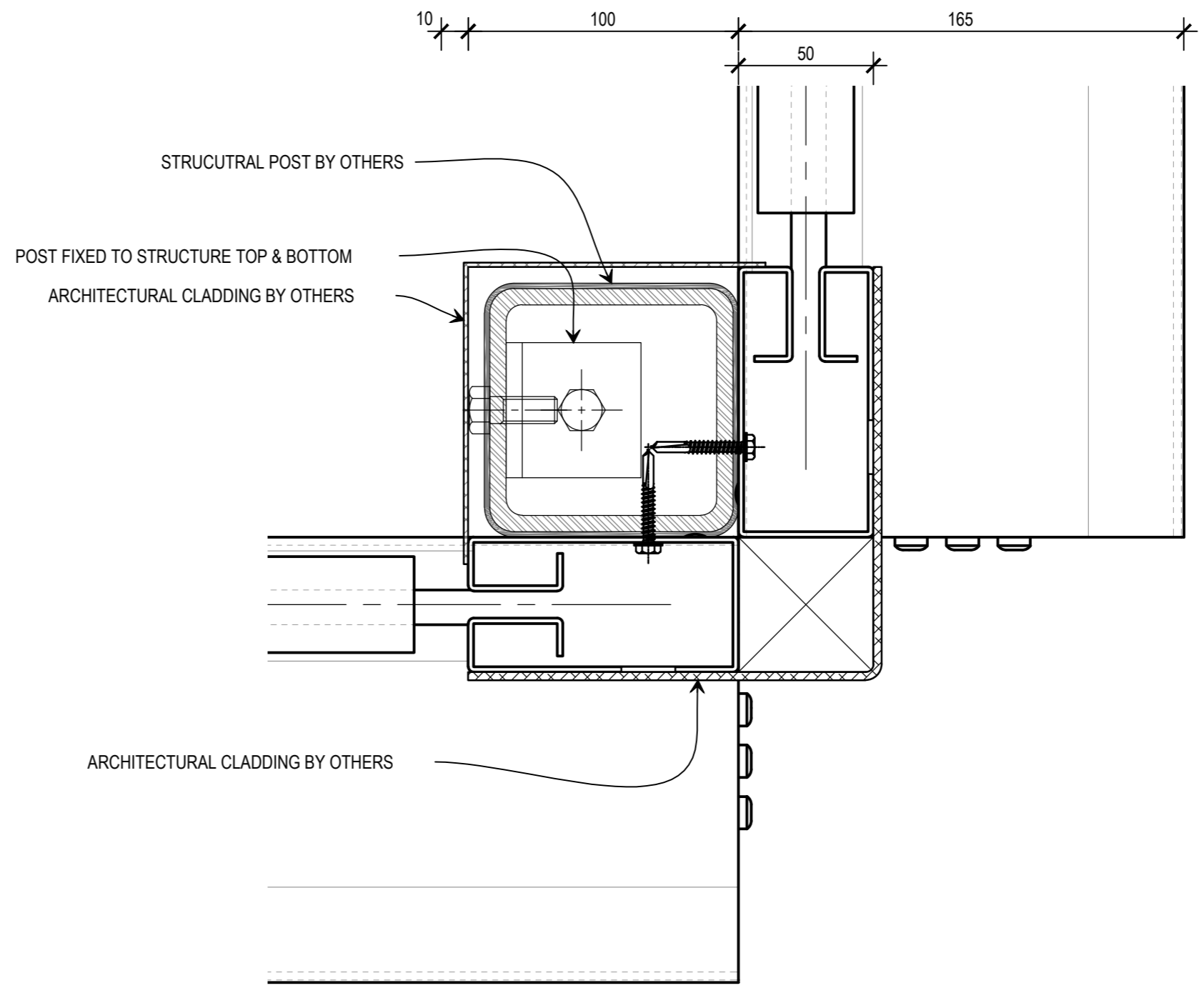
10-20 100 10



2 PLAN
REBATED SIDE GUIDE
SCALE 1:2 @ A2



3 PLAN
FACE FIXED SIDE GUIDE
SCALE 1:2 @ A2



4 PLAN
90° POST DETAIL
SCALE 1:2 @ A2

THIS DRAWING IS COPYRIGHT AND THE PROPERTY OF THE AUTHOR, AND MUST NOT BE RETAINED, COPIED OR USED WITHOUT THE AUTHORITY OF SMOKE CONTROL SYSTEMS PTY. LTD.
DO NOT SCALE FROM DRAWING, USE PROVIDED DIMENSIONS ONLY.
ALL DISCREPANCIES MUST BE BROUGHT TO THE ATTENTION OF AUTHOR.
SMOKE CONTROL SYSTEMS DO NOT TAKE RESPONSIBILITY OF MEASUREMENTS PROVIDED BY OTHERS.

CHK	REASON	DATE
A BK	FOR INFORMATION	06/04/2017

DISCLAIMER

INFORMATION GIVEN IN SMOKECONTROL.COM.AU AND PUBLICATIONS FOR DOWNLOAD ARE GIVEN TO THE BEST OF OUR KNOWLEDGE AND IN GOOD FAITH. SMOKE CONTROL IS NOT RESPONSIBLE IF RECIPIENTS OF TEST REPORTS, ASSESSMENTS OR LITERATURE MISINTERPRET THE CONTENTS AND WRONGLY USE PRODUCTS BASED ON THOSE MISINTERPRETATIONS. NO LIABILITY IS ACCEPTED FOR ERROR OMISSIONS IN THIS WEB SITE OR OUR DOCUMENTS. IN THE INTERESTS OF IMPROVEMENTS AND CONTINUED DEVELOPMENT SMOKE CONTROL RESERVES THE RIGHT TO CHANGE SPECIFICATION WITHOUT NOTICE.

INFORMATION COPY ONLY



WWW.SMOKECONTROL.COM.AU
AUSTRALIAN HEADOFFICE PHONE: 1300 665 471
NEW ZEALAND PHONE: 09 300 1980
INFO@SMOKECONTROL.COM.AU INFO@SMOKECONTROL.CO.NZ

PROJECT
SMOKEHALT INFORMATION PRODUCT TEMPLATE

CLIENT
FOR INFORMATION ONLY

TITLE
SIDE GUIDE FIXING DETAIL
90° POST CONFIGURATION
SMOKEHALT SMOKE CURTAIN

SUB SET (CATEGORY)
ARCHITECTURAL

DRAWING NUMBER
SCS-SH-TEMP-0104

DRAWN BY
IGOR REBENKO

ISSUE STATUS:
INFORMATION

START DATE
04/11/2015

SCALE
1:2

@A2

FILE: SCS-SH-TEMP.dwg -- PLOTTED ON 06/04/2017 BY: IGOR REBENKO

<<< 594mm >>>