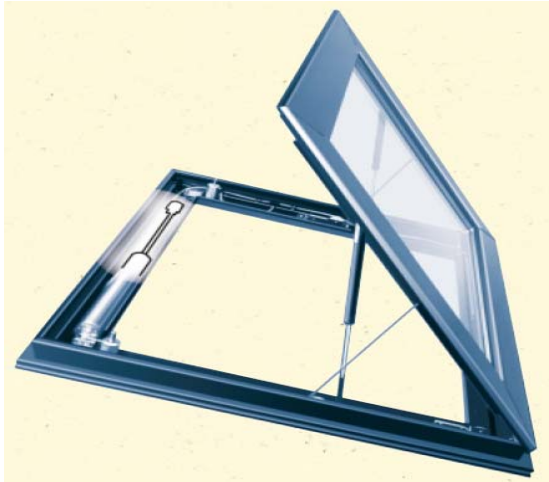


LUMA

SMOKE AND HEAT VENTS



Natural ventilation.
Vents close automatically
on detection of rain.

**Fully concealed
operating system**
For an aesthetic solution from
both inside and outside
of a building



The Luma is suitable for both day to day ventilation and smoke & heat ventilation applications.

The framework is available in a variety of versions including single walled aluminium, double walled insulated aluminium, laminated glass, insulation glass, double and triple-walled polycarbonate.

Operation.

In its closed position cylinders, gas springs, and electro-motors are hidden inside the Luma frame profile.

The Luma can be fitted with a compressed air operation, an electric 24V operation or an electric 230V operation. Both the pneumatic and electric operating systems can be configured in a Fail-Safe manner.

Application

Thanks to its stylish framework, minimal depth and hidden control, the Luma is ideal for use in aesthetically designed glass constructions.

Material

The Luma is constructed with a fully thermally broken aluminium profile, ensuring a high value of insulation is achieved.

The system is available with a powder coated finish to any RAL colour, mill finish or anodised.

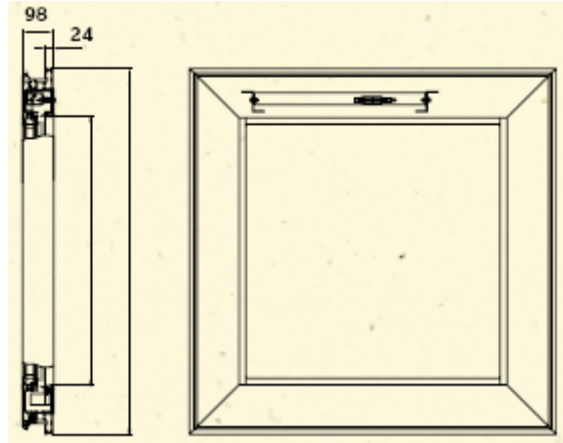
Features

- Thermally broken aluminium profile
- Fully concealed operating system
- Available with various finishes
- Ideal for venting in glass constructions
- Suitable for natural ventilation and smoke and heat venting.

Luma

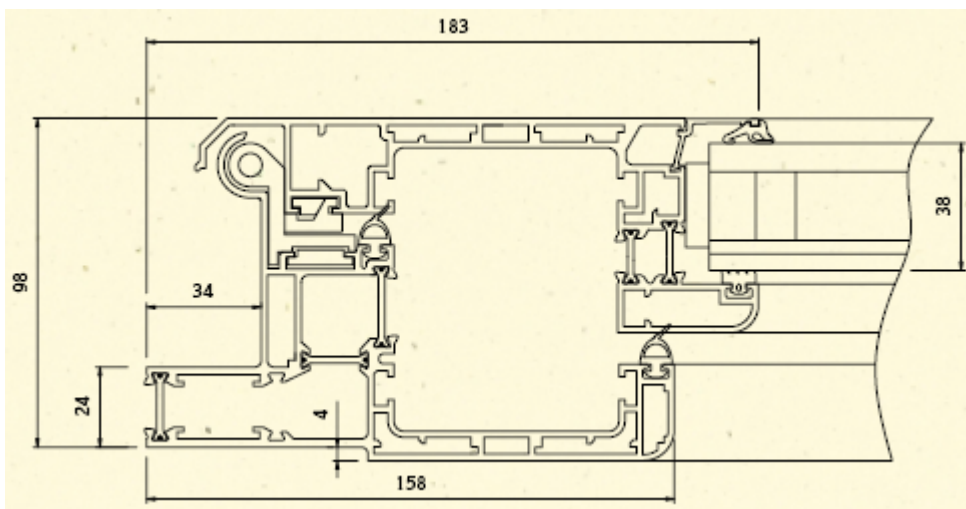
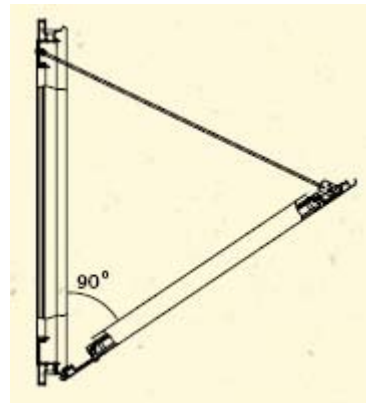
LUMA

SMOKE AND HEAT VENTS



Design data

- Maximum frame height 600 - 2000mm
- Maximum frame width 600 - 2500mm
- Maximum surface area 3.5 m²
- Weight is dependant on the dimensions and the panel insulation.
- The maximum weight of the panel insulation is 45 kg/m²
- Suitable for built in angles from 10⁰ to 90⁰.
- Opening angle is variable to a max of 90⁰
- Flange min thickness 24mm
- Flange max thickness 40mm



Luma