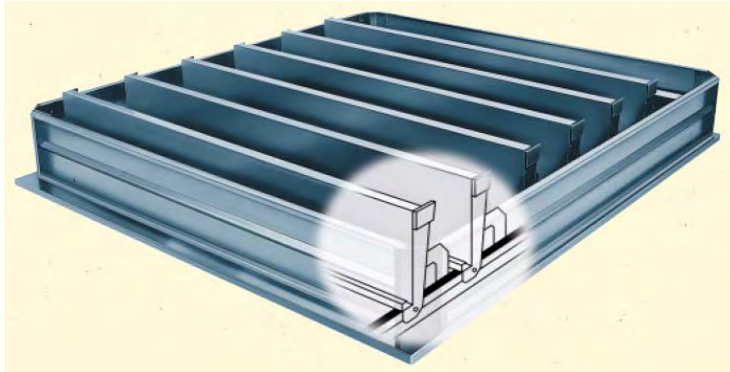


EURA

SMOKE AND HEAT RELEASE VENTS



Natural ventilation.
Vents close automatically
on detection of rain.



The Eura is a multilateral natural louver ventilator that can extract large volumes of warm air and smoke within a short period of time. The Eura's distinguishing features include its high ventilation capacity, low investment level and swift opening and closing rate.

Operation.

- **P** Single-acting compressed air operation
- **P2** Double-acting compressed air operation
- **M** Motor operation
- **K** Cable operation

Suffix: **B** Fire function
FS Failsafe

Application

Its stylish design has seen the Eura used for a wide range of applications including industrial buildings, offices, shopping centres and atria.

Material

Hardened, sea water and corrosion resistant Aluminium (AlMg3) complete with corrosion resistant bearings. Longitudinal sealing is achieved with weatherproof sealing tape and energy strips and is fitted in such a manner as to guarantee it to be frost proof and have a high level of air tightness.

The aluminium is totally corrosion resistant, and is supplied untreated or powder coated to any RAL colour.

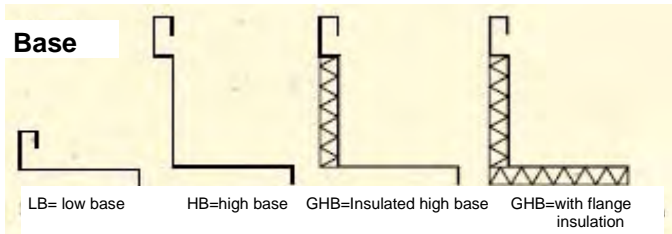
Features

- Corrosion resistant AlMg3
- Rain sensors supplied standard
- Glazed or translucent blade options available
- Powder coated finish available
- Cost effective solution
- High ventilation capacity

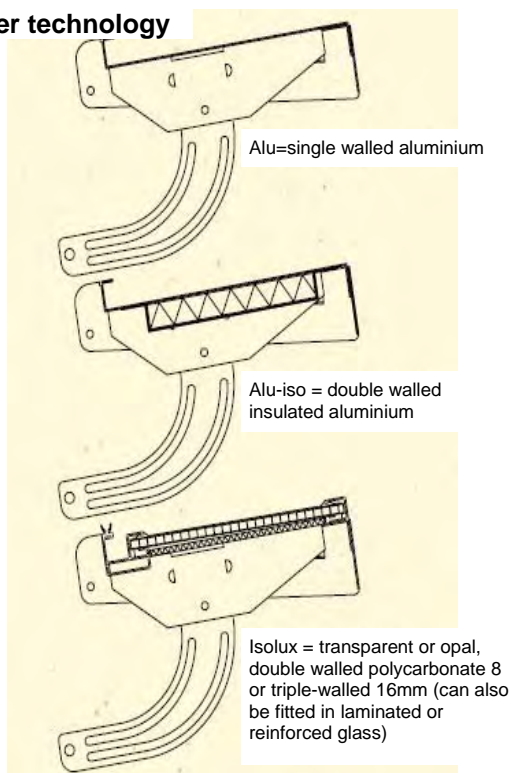
EURA

EURA

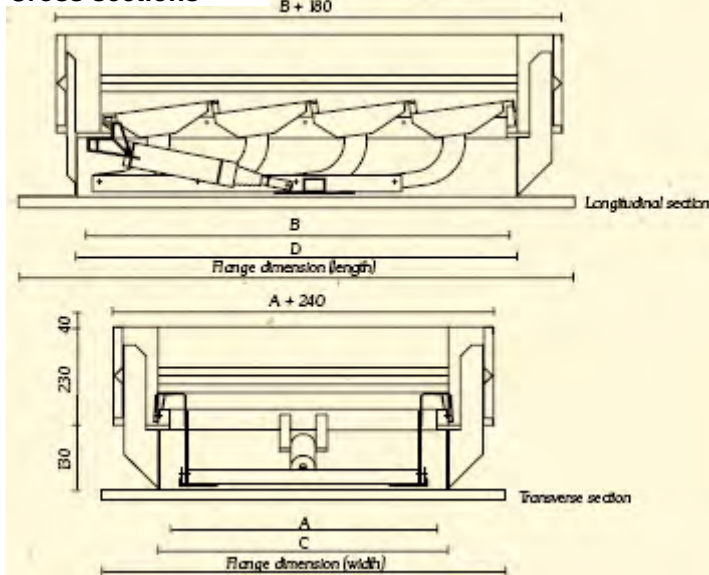
SMOKE AND HEAT RELEASE VENTS



Louver technology

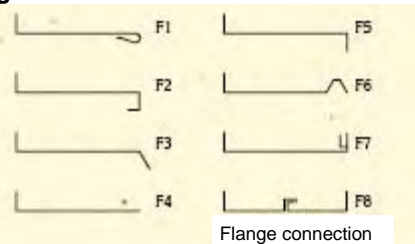


Cross sections



Type	Upper louver		Weight (kg)	Minimum clear width (mm)	
	Geom. surface (m ²)	Aerod. surface (m ²)		LB/GHB A x B	HB C x D
60 - 4	0.63	0.42	23	600 x 940	640 x 980
60 - 5	0.77	0.52	27	600 x 1160	640 x 1200
60 - 6	0.91	0.61	30	600 x 1380	640 x 1420
60 - 7	1.05	0.70	33	600 x 1600	640 x 1640
60 - 8	1.19	0.88	36	600 x 1820	640 x 1860
60 - 9	1.33	0.89	39	600 x 2040	640 x 2080
60 - 10	1.47	0.98	42	600 x 2260	640 x 2300
60 - 11	1.61	1.08	45	600 x 2480	640 x 2520
60 - 12	1.75	1.17	48	600 x 2700	640 x 2740
60 - 13	1.89	1.27	51	600 x 2920	640 x 2960
120 - 4	1.22	0.82	33	1200 x 940	1240 x 980
120 - 5	1.49	1.00	38	1200 x 1160	1240 x 1200
120 - 6	1.76	1.18	42	1200 x 1380	1240 x 1420
120 - 7	2.03	1.36	47	1200 x 1600	1240 x 1640
120 - 8	2.31	1.55	51	1200 x 1820	1240 x 1860
120 - 9	2.58	1.73	56	1200 x 2040	1240 x 2080
120 - 10	2.85	1.91	60	1200 x 2260	1240 x 2300
1200 - 11	3.12	2.09	65	1200 x 2480	1240 x 2520
120 - 12	3.40	2.28	69	1200 x 2700	1240 x 2740
120 - 13	3.67	2.46	74	1200 x 2920	1240 x 2960
180 - 4	1.80	1.21	42	1800 x 940	1840 x 980
180 - 5	2.21	1.48	48	1800 x 1160	1840 x 1200
180 - 6	2.61	1.75	54	1800 x 1380	1840 x 1420
180 - 7	3.02	2.02	60	1800 x 1600	1840 x 1640
180 - 8	3.42	2.29	66	1800 x 1820	1840 x 1860
180 - 9	3.83	2.57	72	1800 x 2040	1840 x 2080
180 - 10	4.23	2.83	78	1800 x 2260	1840 x 2300
180 - 11	4.64	3.11	84	1800 x 2480	1840 x 2520
180 - 12	5.04	3.38	90	1800 x 2700	1840 x 2740
180 - 13	5.45	3.65	96	1800 x 2920	1840 x 2960
240 - 4	2.39	1.60	52	2400 x 940	2440 x 980
240 - 5	2.93	1.96	59	2400 x 1160	2440 x 1200
240 - 6	3.46	2.32	66	2400 x 1380	2440 x 1420
240 - 7	4.00	2.68	73	2400 x 1600	2440 x 1640
240 - 8	4.54	3.04	80	2400 x 1820	2440 x 1860
240 - 9	5.08	3.40	87	2400 x 2040	2440 x 2080
240 - 10	5.61	3.76	94	2400 x 2260	2440 x 2300
240 - 11	6.15	4.12	101	2400 x 2480	2440 x 2520
240 - 12	6.69	4.48	108	2400 x 2700	2440 x 2740
240 - 13	7.22	4.84	115	2400 x 2920	2440 x 2960

Flanges



EURA