

**PROPRIETARY ITEM: FYREHALT - V**  
**AUTOMATIC OVERHEAD COILING FABRIC FIRE CURTAIN**

**PART 1 - GENERAL**

1.01 SUMMARY

- A. Section Includes:
  - 1. Fire alarm or smoke detector-activated, overhead coiling fabric fire curtain.
  - 2. Self-closing without auxiliary power.
  - 3. For small and medium protected openings.
- B. Related Requirements:
  - 1. Access Panels.
  - 2. Load Bearing Header Framing
  - 3. Finish: Powder coating of specified components.
  - 4. Detection and Alarm: Provision of fire alarm.
  - 5. Site Electrical: Provision of 240VAC, 10Amp General purpose outlets (GPO's)
  - 6. Product Electrical: System connection including cable glands, junction boxes, conductors, wiring devices, and backup power.

1.02 REFERENCES

- A. National Construction Code and Fire Engineers Report:
  - 1. NCC 2014/2015
  - 2. FE Report Y; Version XX, Dated;
- B. Standards:
  - 1. UL10D – Fire tests of fire protective curtain assemblies
  - 2. BS476.22 – Fire tests on building materials and structures. Method for determination of the fire resistance of non-loadbearing elements of construction
  - 3. UL1784 – Standard for Air Leakage Tests of Door Assemblies
  - 4. EN13501.2 – Fire classification of construction products and building elements, Part 2 Classification using data from fire resistance tests, excluding ventilation services
  - 5. AS1670 – Automatic detection and alarm systems
  - 6. AS1530.4 – Methods for fire tests on building materials, components and structures, Part 4 Fire-resistance test of elements of construction.
  - 7. AS1905.2 – Fire Shutters.
  - 8. AS3837– Method of test for heat and smoke release rates for materials and products using an oxygen consumption calorimeter
  - 9. AS6905.1 – Smoke Doors
  - 10. AS1530.7 – Methods for fire tests on building materials, components and structures. Part 7 – Smoke control assemblies – ambient and medium temperature leakage test procedure.

1.03 SUSTAINABLE DESIGN REQUIREMENTS

- A. ESD: Comply with sustainable design requirements including, without limitation, submittal and documentation requirements.
- B. Credit/Point Goals Applicable To This Section: In addition to global project credit/point goals:
  - 1. Materials & Resources - construction waste management
  - 2. Materials & Resources - recycled content

3. Materials & Resources - regional materials
4. Indoor Environmental Quality - construction IAQ management plan

#### 1.04 SUBMITTALS

- A. Comply with Submittal Procedures:
  1. NCC Clause A2.4 Evidence of Suitability – submit full scale fire test report and Formal Opinion from a Registered Testing Authority clearly identifying maximum Fire Resistance Level and maximum allowable sizes.
  2. Manufacturers Product data
  3. Shop drawings:
    - a. Curtain location and unique identification number
    - b. Include opening dimensions
    - c. Show and identify related work performed under other sections of the specifications including access and electrical requirements
  4. Quality Assurance/Control Submittals:
    - a. Site Inspection and Test Plan.
    - b. Manufacturers ISO 9001 Certificate of Accreditation

#### 1.05 CLOSEOUT SUBMITTALS

- A. Comply with Project Closeout:
  1. Certificate of Compliance with reference to Fire Engineers Report and Evidence of Suitability.
  2. Operation and maintenance manual.
  3. Manufacturer’s warranty.

#### 1.06 QUALITY ASSURANCE

- A. Certifications:
  1. AS1530.4 full scale fire test on a complete assembly in plasterboard and masonry/concrete wall
  2. National Construction Code Clause C1.10 when tested to AS3837
  3. AS1530.7 full scale air (smoke) leakage test on a complete assembly
  4. Laboratory cycle tested on a 3m x 3m complete assembly
- B. Pre-Installation Meeting:
  1. Schedule and convene a pre-installation meeting prior to commencement of field operations with representatives of the following in attendance: Owner, Architect, General Contractor, fire curtain sub-contractor, mechanical sub-contractor, electrical sub-contractor, and ceiling/fitout sub-contractor
  2. Review substrate conditions, requirements of related work, installation instructions, storage and handling procedures, and protection measures.
  3. Document the responsibilities of various parties and deviations from specifications and installation instructions.

#### 1.07 DELIVERY, STORAGE, AND HANDLING

- A. Comply with project delivery, storage, and handling requirements.
- B. Comply with manufacturer’s instructions.

#### 1.08 WARRANTY

- A. Provide manufacturer’s standard one year warranty for Defect Liability Period.

- B. Maintenance and Testing:
  - 1. Perform minimum quarterly maintenance and testing on each fire curtain as required by the manufacturer's warranty, AS1851 - Maintenance, and as required by the Fire Engineers Report.
  - 2. Provide Commissioning documentation including Project name, project address, location and curtain number, number of cycles tested, observations, comments (eg: curtain out of alignment), notes (eg: curtain alignment repaired), Pass/fail.
  - 3. Re-certification after the defect liability period

## PART 2 - PRODUCTS

### 2.01 MANUFACTURED UNITS

- A. Proprietary item; Model Fyrehalt - V automatic fire curtain.
- B. Manufacturer:
  - 1. Smoke Control Systems Pty Ltd
  - 2. Distributed by Smoke Control Systems Pty Ltd, 26 Ferndell St, South Granville, NSW 2142, Australia [www.smokecontrol.com.au](http://www.smokecontrol.com.au)
- C. Label each fire curtain with following information:
  - 1. Manufacturer's name and contact details.
  - 2. Curtain location and unique identification number
  - 3. Fire Resistance Level
  - 4. Date of installation

### 2.02 DESIGN CRITERIA

- A. Country of Manufacture: Australia
- B. Head box; 165 H x 163 W mm
- C. Bearing type: Standard fixed end bearings
- D. Side guide; 100 mm x 50mm

See manufacturer's literature for head box and side guide mounting options.

- E. Side guide restraint system; Standard tab and button type
- F. Fabric type; 660g/m<sup>2</sup> stainless steel woven fabric, incorporating a coated glassfibre material to reduce radiant heat transmission.
- G. Motor type; Proprietary Smoke Control 24V tubular motor with torque selection based on curtain size, upper limited determined by overload current (resistance), reverting to hold current.
- H. Bottom bar; 35mm wide (at the base) Triangular section, requiring a 50mm min. slot in the ceiling lining.
- I. Accessories;
  - a. Curtain mounted re-wind switch,
  - b. Linear obstruction sensors mounted at 200mm above finished floor level
  - c. Strobes and sounders
  - d. Bottom bar cover
- J. Finishes; Dulux Duralloy colour range (Standard)

- K. Load requirements at head = 25kg/m of width
- L. Load requirements at sides = 20kg/m of height
- M. Mounting orientation
  - 1. Installation Configuration: Housing attached directly to substrate above opening or face fixed to wall. *[delete mounting type not applicable]*.
  - 2. Fabricate and install mounting brackets, hardware, and fasteners needed to attach fire curtain assembly to building structure.
- N. Signage on curtain (standard stencils)
  - 1. Green running man (350 x 350mm)
  - 2. Arrows (350 x 190mm high)
  - 3. Fire Safety Curtain (150mm high x 1500mm long)
  - 4. Push Button (100mm high)

#### 2.03 PERFORMANCE CRITERIA

- 1. Fire Resistance Level (FRL): -/120/-
- 2. Smoke leakage:  $\leq 75\text{m}^3/\text{hour}$
- 3. Group Number for fabric: 1 when tested in accordance with AS3837
- 4. Durability; light duty – tested to 30,000 maintenance free cycles
- 5. Maximum pressure;  $\Delta 25\text{Pa}$
- 6. Maximum allowable gap to non-combustible sill 25mm
- 7. Combustible floor coverings permitted at threshold (conditions apply)
- 8. Closing time of 100 - 200mm/sec
- 9. Time delay to required (exhaust/pressurization) fan speed = 60 seconds (min) – 90 seconds (max). Time is dependent on drop height of curtain.
- 10. Time delay for rewind; ensure fan speed is zero + 20 seconds prior to reset of alarm signal from FIP enabling curtain rewind.
- 11. Fail safe close on loss of power and/or signal trip using battery backup.
- 12. Motor rewind automatically on re-set of power and alarm signal, no service call needed.
- 13. Battery backup for nuisance deploys (power failure only) *(delete if not required)*
- 14. Commissioning shall be conducted in conjunction with Mechanical services and detection/alarm system. Systems shall be balanced to work together without over pressurizing the fire curtain.
- 15. Maintenance shall be conducted quarterly by the Manufacturer and/or their nominated representative to the Manufacturers recommendations.

#### 2.04 COMPONENTS

- A. Curtain Fabric: Fyrehalt fabric glass 2060/1A - Glass fibre material with stainless steel wire reinforcement, coated on a single side with polyurethane.
- B. Side Guide Assembly: 1.6mm thick Zinalume mild steel incorporating a welded pin along its spine for rigidity incorporating a tab and bobbin restraint system.
- C. Housing/Bearing Type: 1.6mm thick galvanized mild steel head box incorporating a fixed pivot bearing.
- D. Bottom Bar: 2mm thick galvanized mild steel triangular section to assist with resistance to pressure differentials incorporating staggered joints to span wider distances.
- E. SCS2000 Series Rewind Motor
  - 1. Tubular motor with fail safe gravity deploy operation.
  - 2. Upper limit set by placing physical obstruction in the path of the bottom bar.
  - 3. 24 VDC.

- F. SCS2034 Series Trigger Unit
  - 1. Battery backup (*delete if not required*).
  - 2. 240 VAC power
  - 3. Normally closed 0 Volt alarm signal

### **PART 3 - EXECUTION**

#### **3.01 EXAMINATION**

- A. Examine substrates upon which work will be installed.
  - 1. Verify related work performed under other sections is complete and in accordance with shop drawings.
  - 2. Verify wall surfaces are acceptable for installation of fire curtain system components
  - 3. Verify setout point locations.
- B. Coordinate with responsible entity to perform corrective work on unsatisfactory substrates.
- C. Coordinate electrical interface and connection with Electrical sub-contractor.
- D. Coordinate fire and alarm interface with fire sub-contractor.
- E. Commencement of work by installer is acceptance of substrate.

#### **3.02 INSTALLATION**

- A. Install fire curtain system components in accordance with fire test approvals and manufacturer's installation instructions.
- B. While some Registered Testing Authorities provide Formal Opinions in regards to the expected fire resistance level of fire curtains, they do not discuss nor provide a warranty in regards to their reliability. Experience shows that some manufacturer designs of fire curtains do not operate reliably once installed and attract extraordinarily high maintenance costs. For this reason multiple barrel, overlapped fire curtains are deemed not equivalent to this specification on this project and shall not be substituted for a single barrel continuous span system.
- C. Once installed it shall be demonstrated that the system shall gravity fail safe close on the receipt of an alarm signal or loss of power without the need of battery backup. On reset of power and the alarm signal the system shall automatically rewind to its standby position.

#### **3.03 FIELD QUALITY CONTROL**

##### **A. Field Test 1: Calibration**

Follow manufacturer's cycle test procedures prior to application of mechanical services.

- 1. Conduct a minimum of 10 consecutive, error free cycle tests
- 2. Complete Inspection and Test Plan

##### **B. Field Test 2: Balancing test**

Test operation on general alarm in conjunction with mechanical services

- 1. Adjust fan speed and activation timing to ensure pressure does not exceed  $\Delta 25\text{Pa}$  across fire curtain and to minimize gaps at the sill.

- C. Field Test 3: Commissioning  
Test operation on general alarm (or zone alarm as required by Fire Engineers Report) by activating an adjacent smoke detector
1. Notify Owner's Representative, local Fire Services and alarm sub-contractor minimum one week in advance of scheduled testing.
  2. Complete Commissioning submittals.

END OF SECTION

# SCS PROJECT - SCS-FH

## FYREHALT INFORMATION TEMPLATE



### ATTENTION: TECHNICAL REQUIREMENTS FOR THIS PROJECT



No	DESCRIPTION	REQUIREMENT	RESPONSIBILITY
1	WORKS DONE BY OTHERS	ALL DETAILS PERTAINING TO WORK BY OTHERS IS AN ADVISEMENT ONLY AND IT IS THE RESPONSIBILITY OF THE SUPPLIER AND INSTALLER OF THE ITEM/S TO CONFIRM COMPLIANCE TO ITS SUITABILITY FOR THE PURPOSE AND TO CERTIFY ITS COMPLIANCE TO THE REQUIRED FRL TO THE SATISFACTION OF THE FE OR CERTIFIER.	BUILDER, ARCHITECT, OTHER TRADES
2	SHOP DRAWINGS	APPROVAL OF SHOP DRAWINGS (SIGNITURE AND DATE) IS REQUIRED TO BE RETURNED TO SMOKE CONTROL SYSTEM BEFORE MANUFACTURE CAN COMMENCE.	BUILDER, ARCHITECT
3	DELIVERIES TO SITE	IF REQD. FORKLIFT TO BE MADE AVAILABLE.	BUILDER
4	VERTICAL MOVEMENT OF PRODUCT	IF REQD. CRANE SHALL BE AVAILABLE TO SMOKE CONTROL SYSTEMS AT AGREED TIME OF DELIVERY. IF THIS IS NOT AVAILABLE, THIS MAY INCUR EXTRA CHARGES.	BUILDER
5	STORAGE	SUFFICIENT CLEAR FLOOR SPACE TO BE MADE AVAILABLE IMMEDIATELY ADJACENT TO EACH INSTALLATION LOCATION.	BUILDER
6	ACCESS TO WORKFACE (INSTALLATION)	REASONABLY ADEQUATE WORKING AREA REQD., MIN 500mm FROM SYSTEM TO STRUCTURE IS IDEAL. SUBJECT TO SITE CONDITIONS.	BUILDER
7	BALUSTRADES (WHERE PRESENT)	BALUSTRADES MUST NOT INTERFERE WITH THE OPERATION OF CURTAIN IN ANY WAY. MIN. 100mm FROM SYSTEM TO BALUSTRADE OFFSET IS IDEAL.	BUILDER
8	ACCESS PANELS (INSTALATION WITHIN CEILING CAVITY)	450X450 NOM. ACCESS PANELS TO BE PROVIDED. THREE EQUALLY SPACED PANELS (ONE ON EITHER END AND ONE DEAD CENTRE) WILL BE REQUIRED WHERE ACCESS TO HEAD BOX IS RESTRICTED. MAY NOT BE REQD. WHERE REMOVABLE GRID CEILING ALLOWS FOR CLEAR ACCESS TO CURTAIN CONTROLLERS.	BUILDER, CEILING CONTRACTOR
9	POWER REQUIREMENTS	240 VOLT 10 AMP GPO TO BE LOCATED NO MORE THAN 1m AWAY FROM NOMINATED LOCATION OF CURTAIN CONTROLLERS.	BUILDER, ELECTRICAL
10	ALARM SIGNAL, ACTIVATION	0 VOLT NORMALLY CLOSED CONTACT (OPEN ON ALARM) TO BE PROVIDED WITHIN 1 METRE OF CURTAIN CONTROLLER.	BUILDER, ELECTRICAL, FIRE
11	PRESSURISATION, EXHAUST SYSTEMS	<b>IMPORTANT:</b> BALANCING TO CONSIDER AFFECTS OF CURTAINS 20 PA MAX. PRESSURE DIFFERENTIAL STRONGLY RECOMMENDED.	BULDER, MECHANICAL SERVICES
12	TUNING	ALL SCAFFOLDING & OTHER TRADES TO BE CLEAR 2 DAYS PRIOR TO TUNING & COMMISSIONING.	BUILDER
13	COMMISSIONING STAGE 1	PRACTICAL COMPLETION TESTS: PERMANENT POWER & ALARMS CONNECTED FOR DRY RUN PRIOR TO CSC. CURTAINS MUST BE ISOLATED DURING INDIVIDUAL COMMISSIONING OF OTHER ESSENTIAL SERVICES. (PRODUCT LOCKED IN OPEN POSITION AFTER TESTING)	SMOKE CONTROL SYSTEMS & BUILDER
14	COMMISSIONING STAGE 2	COORDINATED SERVICES COMMISSIONING (CSC)	SMOKE CONTROL SYSTEMS
15	COMMISSIONING STAGE 3	WITNESS TESTING, FINAL COMMISSIONING & HANDOVER	SMOKE CONTROL SYSTEMS

### DRAWING INDEX

SHEET	DESCRIPTION	REV
0001	COVER SHEET	A
0101	TYPICAL SHOP DRAWING	A
0102	'L' CONFIGURATION DETAILS	A
0103	HEAD BOX FIXING DETAILS & BOTTOM BAR OPTION	A
0104	SIDE GUIDE FIXING DETAIL	A

THIS DRAWING IS COPYRIGHT AND THE PROPERTY OF THE AUTHOR, AND MUST NOT BE RETAINED, COPIED OR USED WITHOUT THE AUTHORITY OF SMOKE CONTROL SYSTEMS PTY. LTD.  
 • DO NOT SCALE FROM DRAWING, USE PROVIDED DIMENSIONS ONLY.  
 • ALL DISCREPANCIES MUST BE BROUGHT TO THE ATTENTION OF AUTHOR.  
 • SMOKE CONTROL SYSTEMS DO NOT TAKE RESPONSIBILITY OF MEASUREMENTS PROVIDED BY OTHERS.

REV	CHK	REASON	DATE
A	BK	FOR INFORMATION	06/04/2017

### FOR APPROVAL

PLEASE PROVIDE NAME, COMPANY, DATE, & SIGNATURE FOR YOUR FORMAL APPROVAL OF THESE SHOP DRAWINGS. THIS IS REQD. FOR SCS TO COMMENCE MANUFACTURE OF PARTS.



WWW.SMOKECONTROL.COM.AU

AUSTRALIAN HEADOFFICE      NEW ZEALAND  
 PHONE: 1300 665 471      PHONE: 09 300 1980  
 INFO@SMOKECONTROL.COM.AU      INFO@SMOKECONTROL.CO.NZ

PROJECT  
 SCS-FH  
 FYREHALT INFORMATION  
 PRODUCT TEMPLATE

CLIENT  
 FOR INFORMATION ONLY

TITLE  
 COVER SHEET

SUB SET (CATEGORY)  
**SPECIFICATIONS**

DRAWING NUMBER

**SCS-FH-0001**

DRAWN BY  
 IGOR REBENKO      ISSUE STATUS:  
 INFORMATION

START DATE      SCALE  
 04/11/2015      N/A      @A2

FYREHALTS	HEAD BOX & BOTTOM BAR	GALVANISED STEEL	UPTO -/120/-	HEAD BOX	POWDER COATED TO DULUX DURALLOY COLOUR RANGE AVAILABLE IN GALVANISED AND STAINLESS FINISH (PLEASE ENQUIRE)
	SIDE GUIDES	GALVANISED STEEL		SIDE GUIDES	
	FABRIC	1100°C RATED		BOTTOM BAR	
<b>SYSTEM</b>	<b>COMPONENT</b>	<b>MATERIALS</b>	<b>FRL</b>	<b>COLOUR/FINISH</b>	

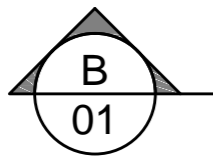
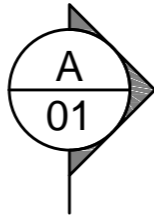
### PRODUCT SPECIFICATIONS

FILE: SCS-FH-TEMP.dwg --- PLOTTED ON 06/04/2017 BY IGOR REBENKO

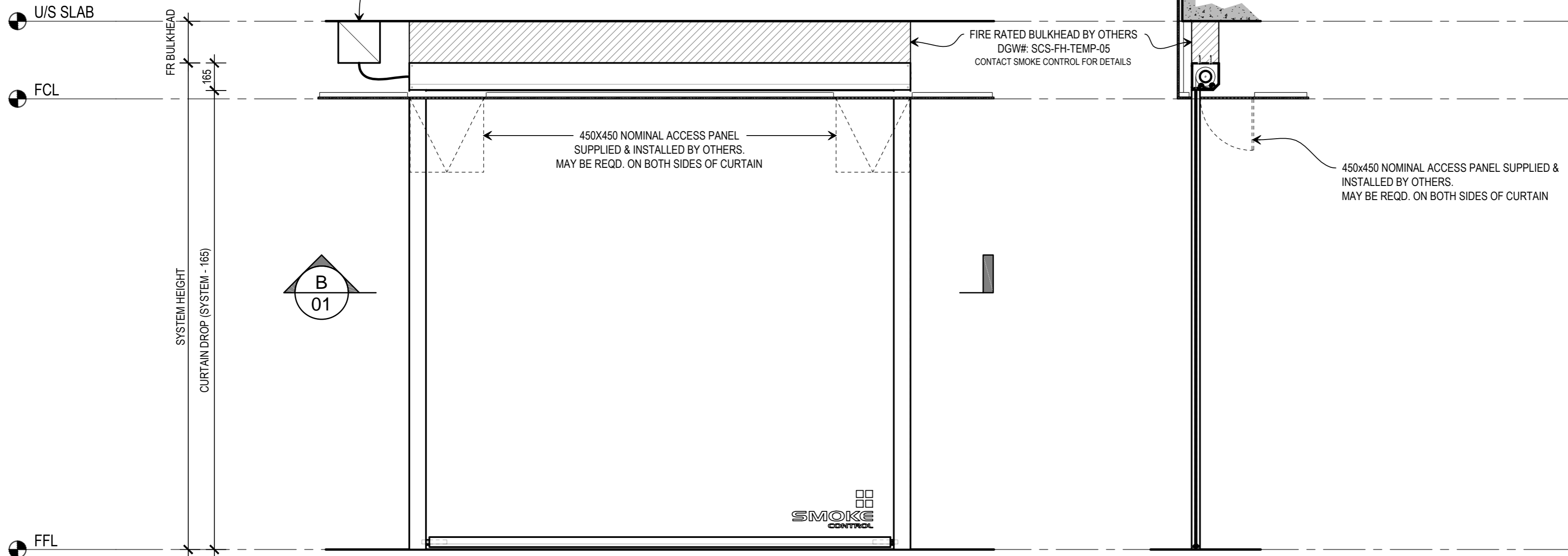
420mm <<< 594mm



**CURTAIN CONTROLLER:**  
 SCS2034 SERIES TRIGGER UNIT  
 REQS. 240V 10A GPO & 0 VOLT NORMALLY CLOSED  
 DRY CONTACT TO FIP TO BE PROVIDED BY OTHERS.  
 DIMS: APPROX. 250x250x100  
 MUST BE LOCATED NO FURTHER THAN 1m AWAY  
 FROM MOTOR

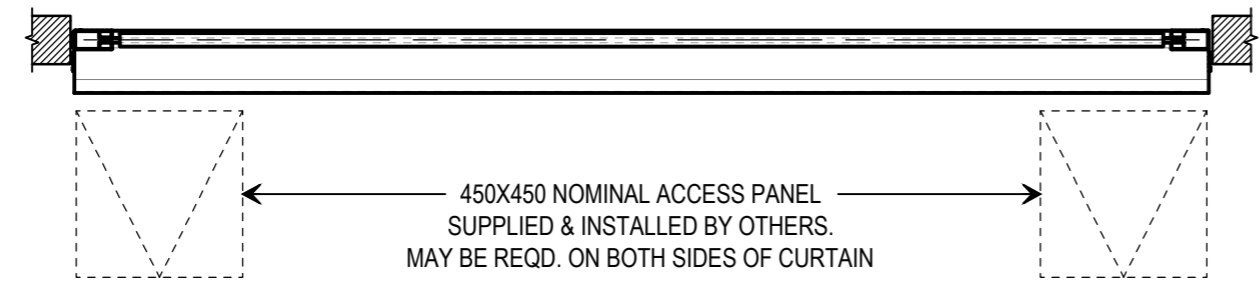


SYSTEM WIDTH  
 BETWEEN SIDE GUIDE (SYSTEM - 200)



**1** FRONT ELEVATION  
 TYPICAL FYREHALT INSTALL  
 SCALE 1:20 @ A2

**B** SIDE ELEVATION  
 SECTION  
 SCALE 1:20 @ A2



**B** REFLECTED PLAN  
 SECTION  
 SCALE 1:20 @ A2

THIS DRAWING IS COPYRIGHT AND THE PROPERTY OF THE AUTHOR, AND MUST NOT BE  
 RETAINED, COPIED OR USED WITHOUT THE AUTHORITY OF SMOKE CONTROL SYSTEMS  
 PTY. LTD.  
 DO NOT SCALE FROM DRAWING. USE PROVIDED DIMENSIONS ONLY.  
 ALL DISCREPANCIES MUST BE BROUGHT TO THE ATTENTION OF AUTHOR.  
 SMOKE CONTROL SYSTEMS DO NOT TAKE RESPONSIBILITY OF MEASUREMENTS  
 PROVIDED BY OTHERS.

CHK	REASON	DATE
A BK	FOR INFORMATION	06/04/2017

**DISCLAIMER**

INFORMATION GIVEN IN SMOKECONTROL.COM.AU AND PUBLICATIONS FOR  
 DOWNLOAD ARE GIVEN TO THE BEST OF OUR KNOWLEDGE AND IN GOOD  
 FAITH. SMOKE CONTROL IS NOT RESPONSIBLE IF RECIPIENTS OF TEST  
 REPORTS, ASSESSMENTS OR LITERATURE MISINTERPRET THE CONTENTS  
 AND WRONGLY USE PRODUCTS BASED ON THOSE MISINTERPRETATIONS. NO  
 LIABILITY IS ACCEPTED FOR ERROR OMISSIONS IN THIS WEB SITE OR OUR  
 DOCUMENTS. IN THE INTERESTS OF IMPROVEMENTS AND CONTINUED  
 DEVELOPMENT SMOKE CONTROL RESERVES THE RIGHT TO CHANGE  
 SPECIFICATION WITHOUT NOTICE.

**INFORMATION  
 COPY ONLY**



WWW.SMOKECONTROL.COM.AU  
 AUSTRALIAN HEADOFFICE NEW ZEALAND  
 PHONE: 1300 665 471 PHONE: 09 300 1980  
 INFO@SMOKECONTROL.COM.AU INFO@SMOKECONTROL.CO.NZ

PROJECT  
 SCS-FH  
 FYREHALT INFORMATION  
 PRODUCT TEMPLATE

CLIENT  
 FOR INFORMATION ONLY

TITLE  
 TYPICAL SHOP DRAWING  
 FYREHALT FIRE CURTAIN

SUB SET (CATEGORY)  
 ARCHITECTURAL

DRAWING NUMBER  
**SCS-FH-TEMP-0101**

DRAWN BY  
 IGOR REBENKO

ISSUE STATUS:  
 INFORMATION

START DATE  
 04/11/2015

SCALE  
 1:20

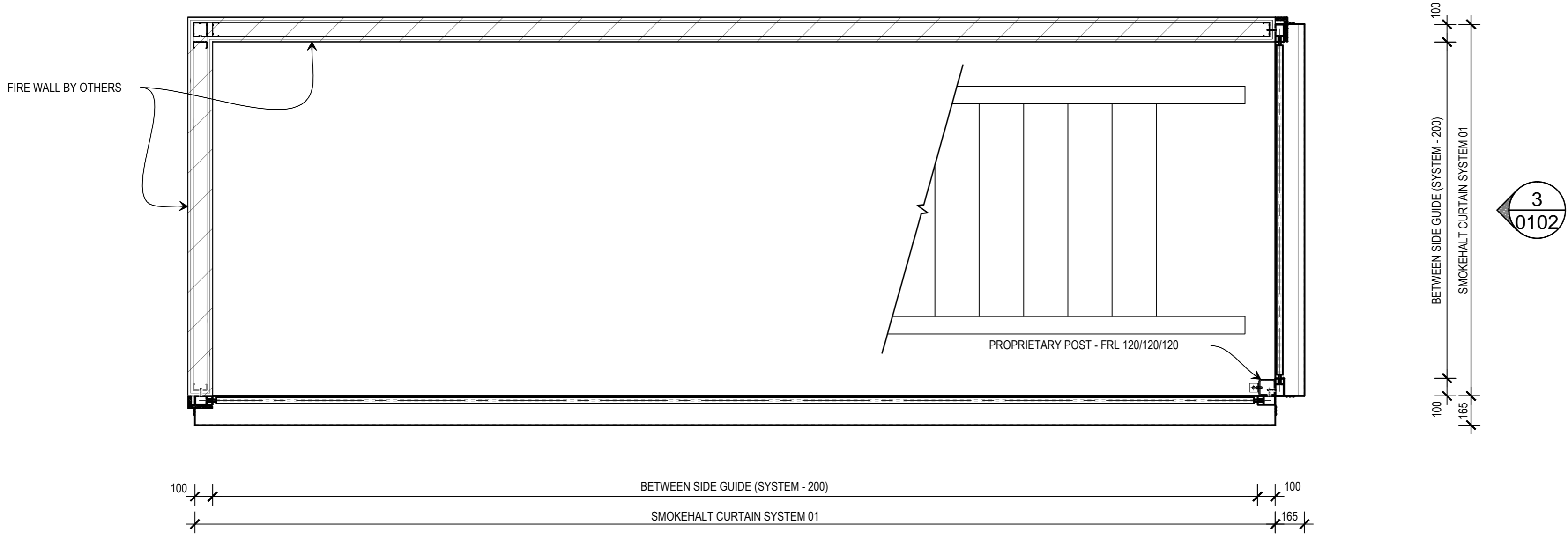
@A2

FILE: SCS-FH-TEMP.dwg -- PLOTTED ON 06/04/2017 BY: IGOR REBENKO



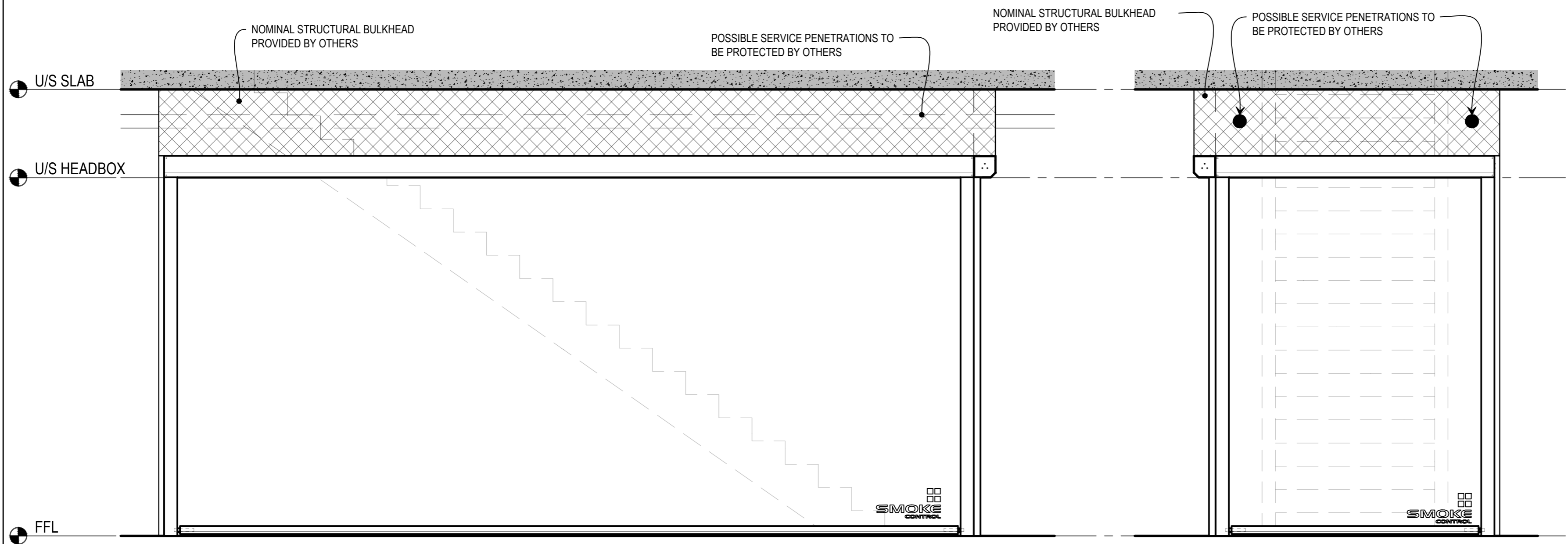
THIS DRAWING IS COPYRIGHT AND THE PROPERTY OF THE AUTHOR, AND MUST NOT BE RETAINED, COPIED OR USED WITHOUT THE AUTHORITY OF SMOKE CONTROL SYSTEMS PTY. LTD.  
 DO NOT SCALE FROM DRAWING. USE PROVIDED DIMENSIONS ONLY.  
 ALL DISCREPANCIES MUST BE BROUGHT TO THE ATTENTION OF AUTHOR.  
 SMOKE CONTROL SYSTEMS DO NOT TAKE RESPONSIBILITY OF MEASUREMENTS PROVIDED BY OTHERS.

NO	CHK	REASON	DATE
A	BK	FOR INFORMATION	06/04/2017



**1** FLOOR PLAN  
**SMOKEHALT EXAMPLE CONIFURATION**  
 SCALE 1:20 @ A2

**2**  
 0102



**2** ELEVATION  
**CURTAIN 01 - FRONT VIEW**  
 SCALE 1:25 @ A2

**3** ELEVATION  
**CURTAIN 02 - FRONT VIEW**  
 SCALE 1:25 @ A2

**DISCLAIMER**  
 INFORMATION GIVEN IN SMOKECONTROL.COM.AU AND PUBLICATIONS FOR DOWNLOAD ARE GIVEN TO THE BEST OF OUR KNOWLEDGE AND IN GOOD FAITH. SMOKE CONTROL IS NOT RESPONSIBLE IF RECIPIENTS OF TEST REPORTS, ASSESSMENTS OR LITERATURE MISINTERPRET THE CONTENTS AND WRONGLY USE PRODUCTS BASED ON THOSE MISINTERPRETATIONS. NO LIABILITY IS ACCEPTED FOR ERROR OMISSIONS IN THIS WEB SITE OR OUR DOCUMENTS. IN THE INTERESTS OF IMPROVEMENTS AND CONTINUED DEVELOPMENT SMOKE CONTROL RESERVES THE RIGHT TO CHANGE SPECIFICATION WITHOUT NOTICE.

**INFORMATION COPY ONLY**

**SMOKE CONTROL**  
 WWW.SMOKECONTROL.COM.AU  
 AUSTRALIAN HEADOFFICE PHONE: 1300 665 471  
 NEW ZEALAND PHONE: 09 300 1980  
 INFO@SMOKECONTROL.COM.AU INFO@SMOKECONTROL.CO.NZ

PROJECT  
 SCS-FH  
 FYREHALT INFORMATION  
 PRODUCT TEMPLATE  
 CLIENT  
 FOR INFORMATION ONLY

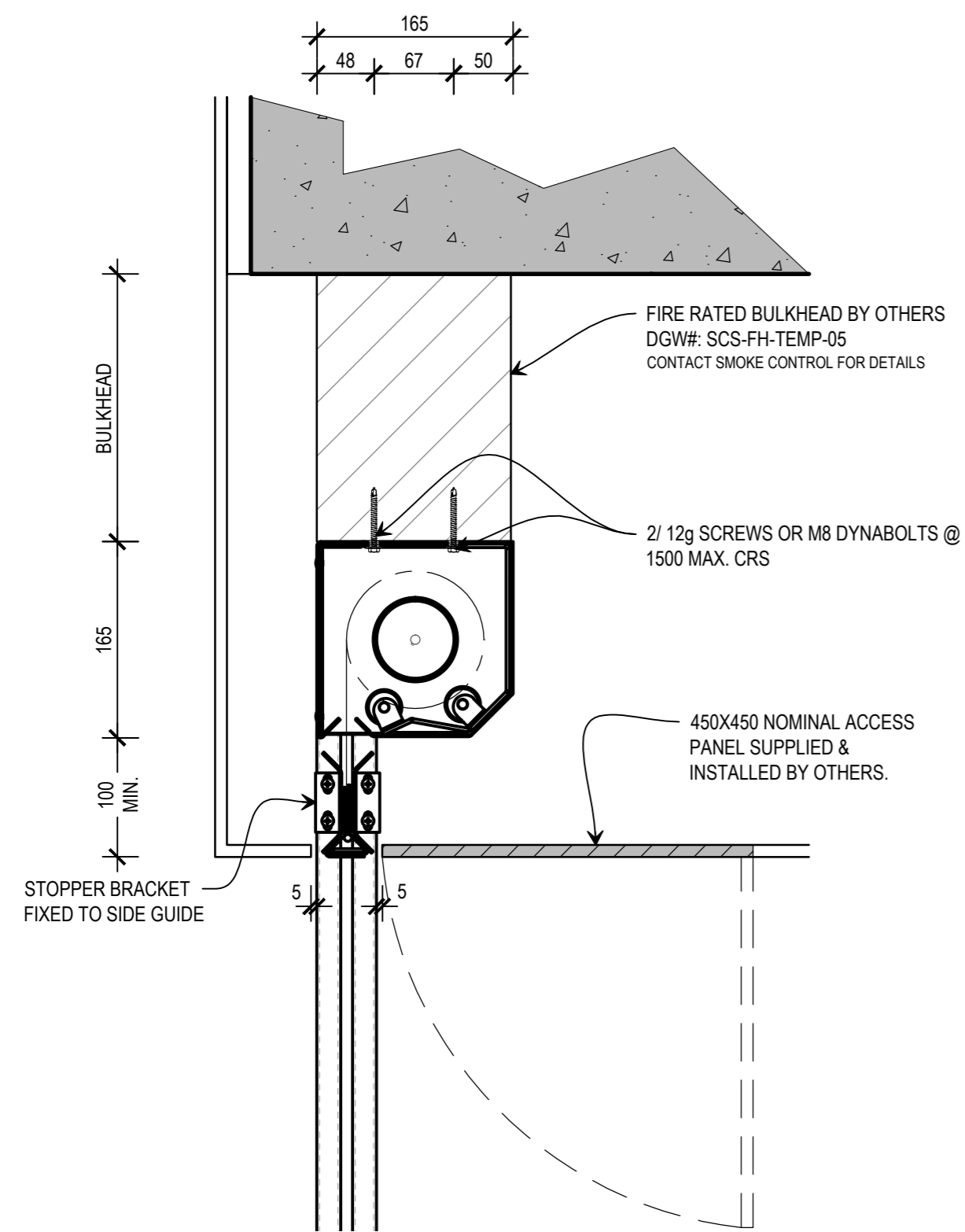
TITLE  
 'L' CONFIGURATION DETAILS  
 FYREHALT FIRE CURTAIN

SUB SET (CATEGORY)  
**ARCHITECTURAL**  
 DRAWING NUMBER  
**SCS-FH-TEMP-0102**

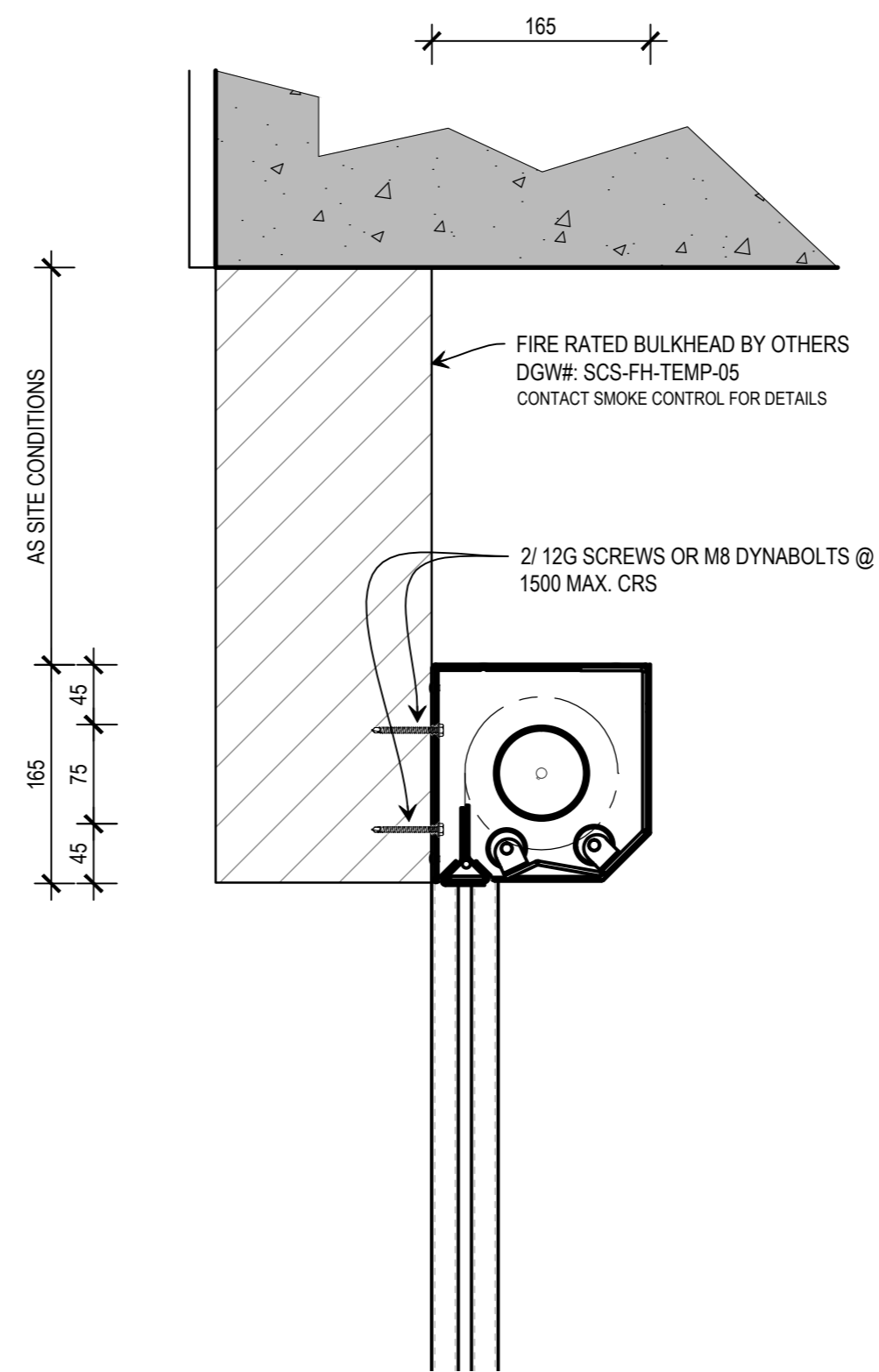
DRAWN BY IGOR REBENKO	ISSUE STATUS: INFORMATION
START DATE 04/11/2015	SCALE 1:20, 1:25 @A2

FILE: SCS-FH-TEMP.dwg -- PLOTTED ON 06/04/2017 BY IGOR REBENKO

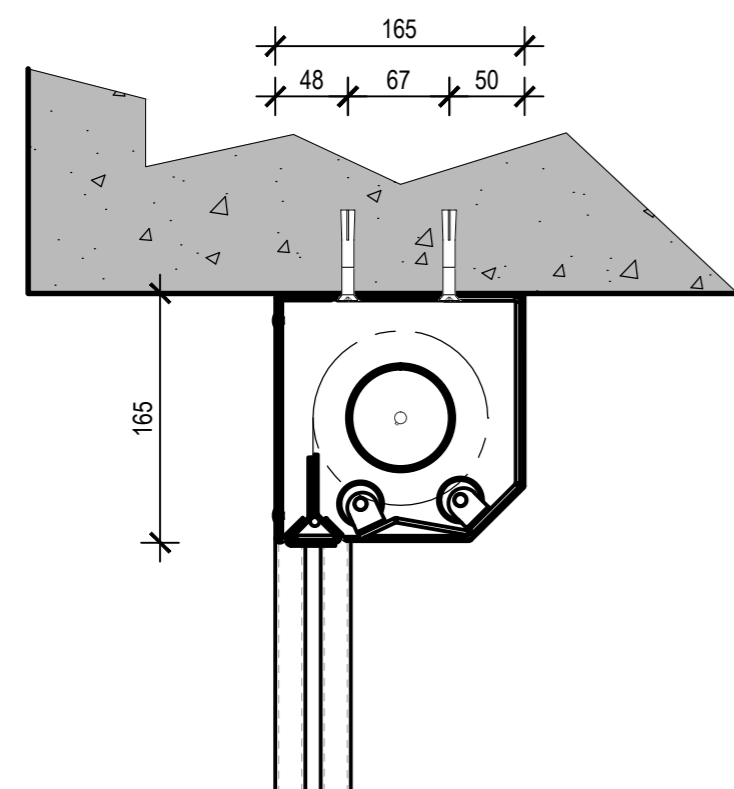
>>> 420mm >>>  
 <<< 594mm <<<



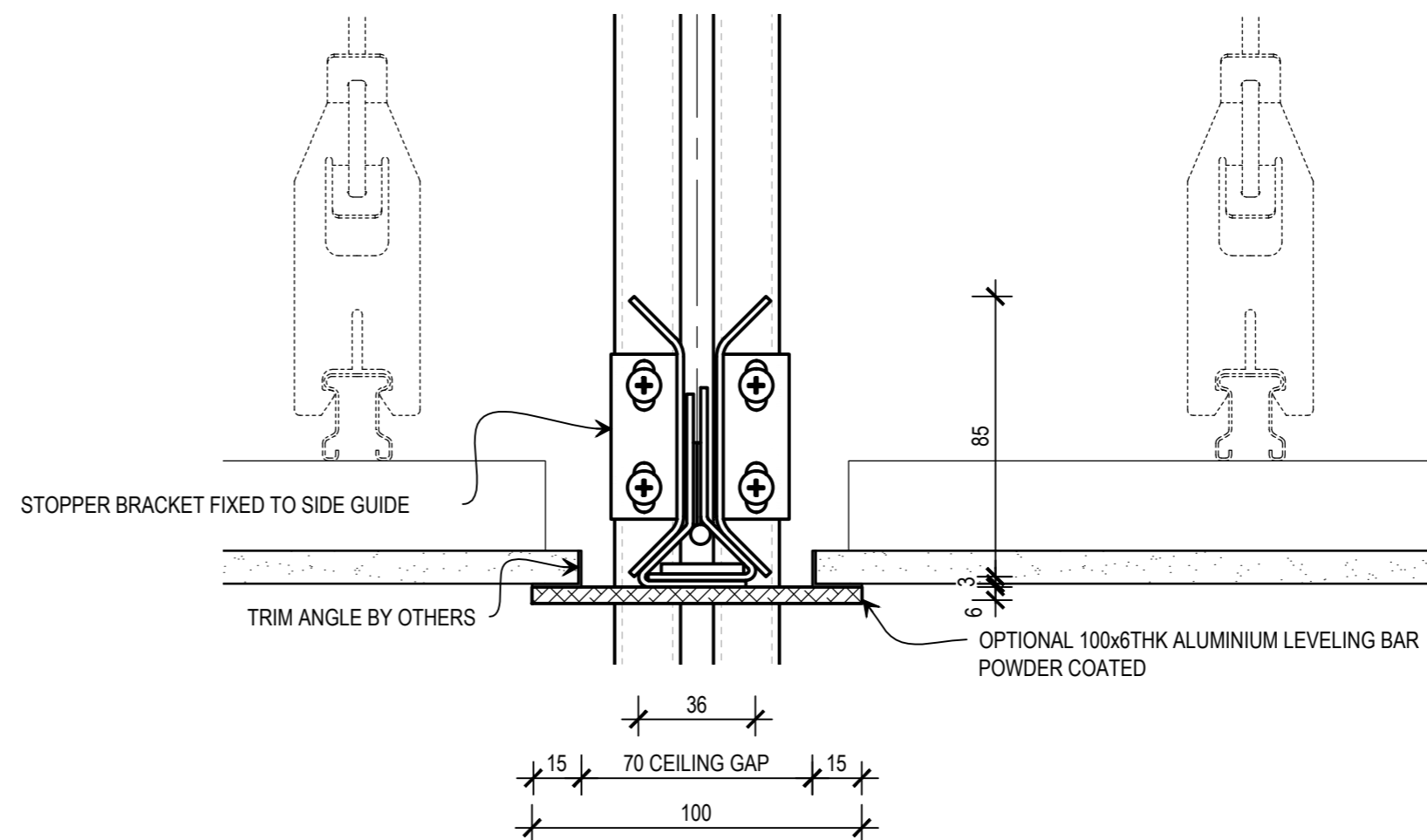
**1** SIDE ELEVATION  
SOFFIT FIXING DETAIL  
SCALE 1:5 @ A2



**2** ELEVATION  
FACE FIXING DETAIL  
SCALE 1:5 @ A2



**3** SIDE ELEVATION  
FIXED TO SLAB  
SCALE 1:5 @ A2



**4** ELEVATION  
OPTIONAL LEVELING BOTTOM BAR  
SCALE 1:2 @ A2

THIS DRAWING IS COPYRIGHT AND THE PROPERTY OF THE AUTHOR, AND MUST NOT BE RETAINED, COPIED OR USED WITHOUT THE AUTHORITY OF SMOKE CONTROL SYSTEMS PTY. LTD.  
DO NOT SCALE FROM DRAWING. USE PROVIDED DIMENSIONS ONLY.  
ALL DISCREPANCIES MUST BE BROUGHT TO THE ATTENTION OF AUTHOR.  
SMOKE CONTROL SYSTEMS DO NOT TAKE RESPONSIBILITY OF MEASUREMENTS PROVIDED BY OTHERS.

CHK	REASON	DATE
A BK	FOR INFORMATION	06/04/2017

**DISCLAIMER**

INFORMATION GIVEN IN SMOKECONTROL.COM.AU AND PUBLICATIONS FOR DOWNLOAD ARE GIVEN TO THE BEST OF OUR KNOWLEDGE AND IN GOOD FAITH. SMOKE CONTROL IS NOT RESPONSIBLE IF RECIPIENTS OF TEST REPORTS, ASSESSMENTS OR LITERATURE MISINTERPRET THE CONTENTS AND WRONGLY USE PRODUCTS BASED ON THOSE MISINTERPRETATIONS. NO LIABILITY IS ACCEPTED FOR ERROR OMISSIONS IN THIS WEB SITE OR OUR DOCUMENTS. IN THE INTERESTS OF IMPROVEMENTS AND CONTINUED DEVELOPMENT SMOKE CONTROL RESERVES THE RIGHT TO CHANGE SPECIFICATION WITHOUT NOTICE.

**INFORMATION  
COPY ONLY**



WWW.SMOKECONTROL.COM.AU  
AUSTRALIAN HEADOFFICE PHONE: 1300 665 471  
NEW ZEALAND PHONE: 09 300 1980  
INFO@SMOKECONTROL.COM.AU INFO@SMOKECONTROL.CO.NZ

PROJECT  
SCS-FH  
FYREHALT INFORMATION  
PRODUCT TEMPLATE

CLIENT  
FOR INFORMATION ONLY

TITLE  
HEAD BOX FIXING DETAIL  
OPTIONAL LEVELING BOTTOM BAR  
FYREHALT FIRE CURTAIN

SUB SET (CATEGORY)  
ARCHITECTURAL

DRAWING NUMBER  
**SCS-FH-TEMP-0103**

DRAWN BY  
IGOR REBENKO

ISSUE STATUS:  
INFORMATION

START DATE  
04/11/2015

SCALE  
1:5, 1:2

@A2

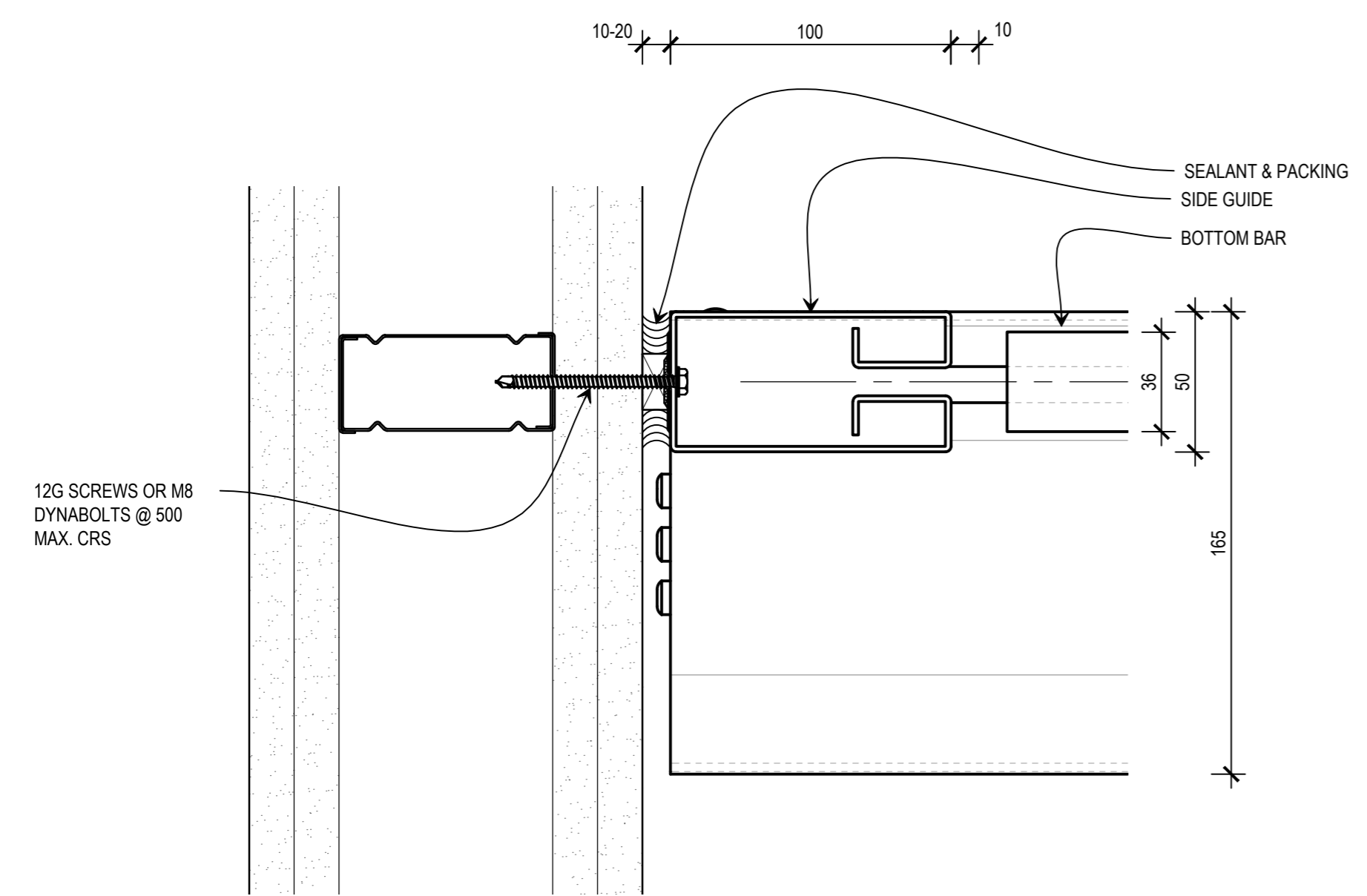
<<< 594mm

FILE: SCS-FH-TEMP.dwg - PLOTTED ON 06/04/2017 BY: IGOR REBENKO

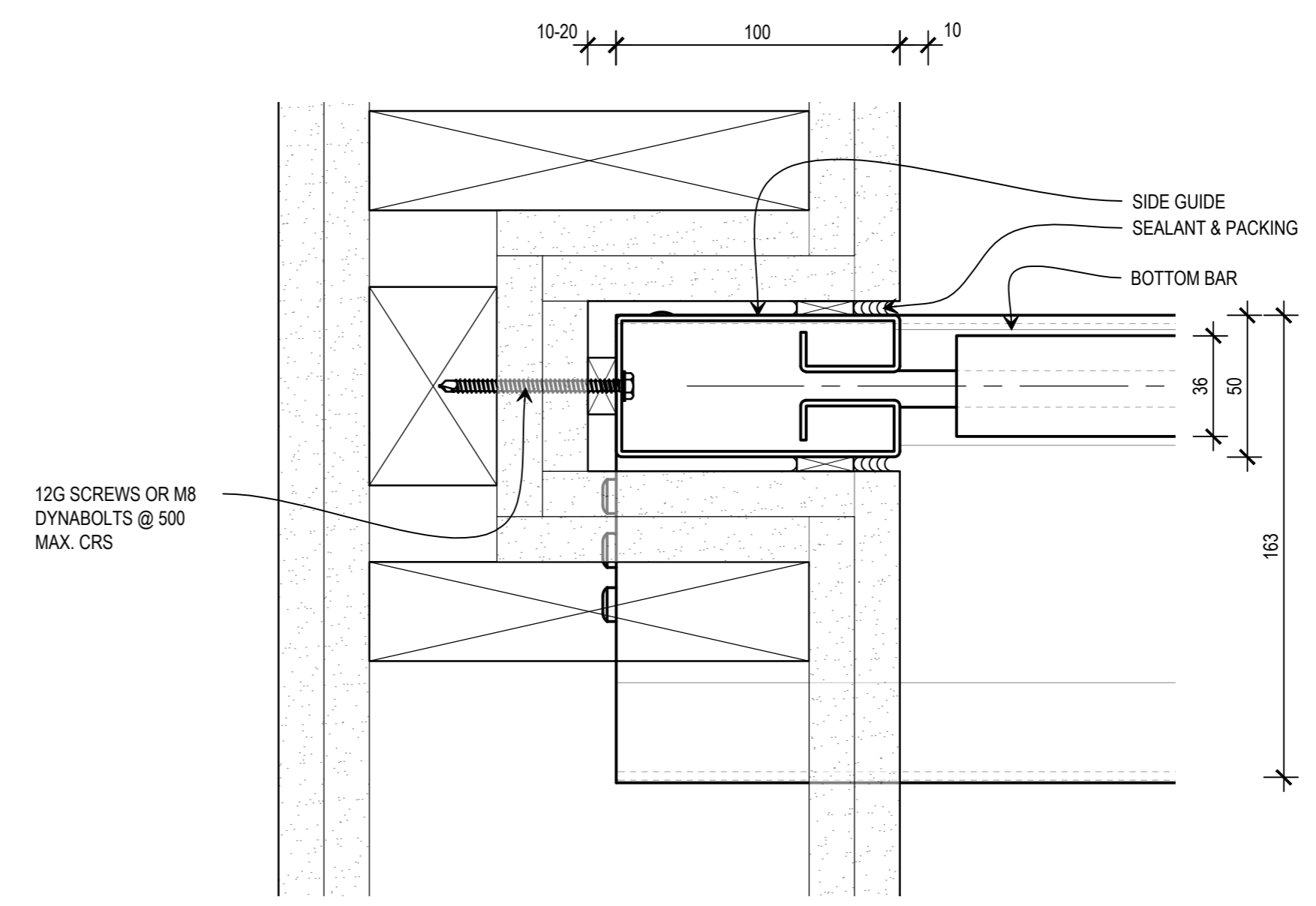
>>> 420mm

THIS DRAWING IS COPYRIGHT AND THE PROPERTY OF THE AUTHOR, AND MUST NOT BE RETAINED, COPIED OR USED WITHOUT THE AUTHORITY OF SMOKE CONTROL SYSTEMS PTY. LTD.  
 • DO NOT SCALE FROM DRAWING, USE PROVIDED DIMENSIONS ONLY.  
 • ALL DISCREPANCIES MUST BE BROUGHT TO THE ATTENTION OF AUTHOR.  
 • SMOKE CONTROL SYSTEMS DO NOT TAKE RESPONSIBILITY OF MEASUREMENTS PROVIDED BY OTHERS.

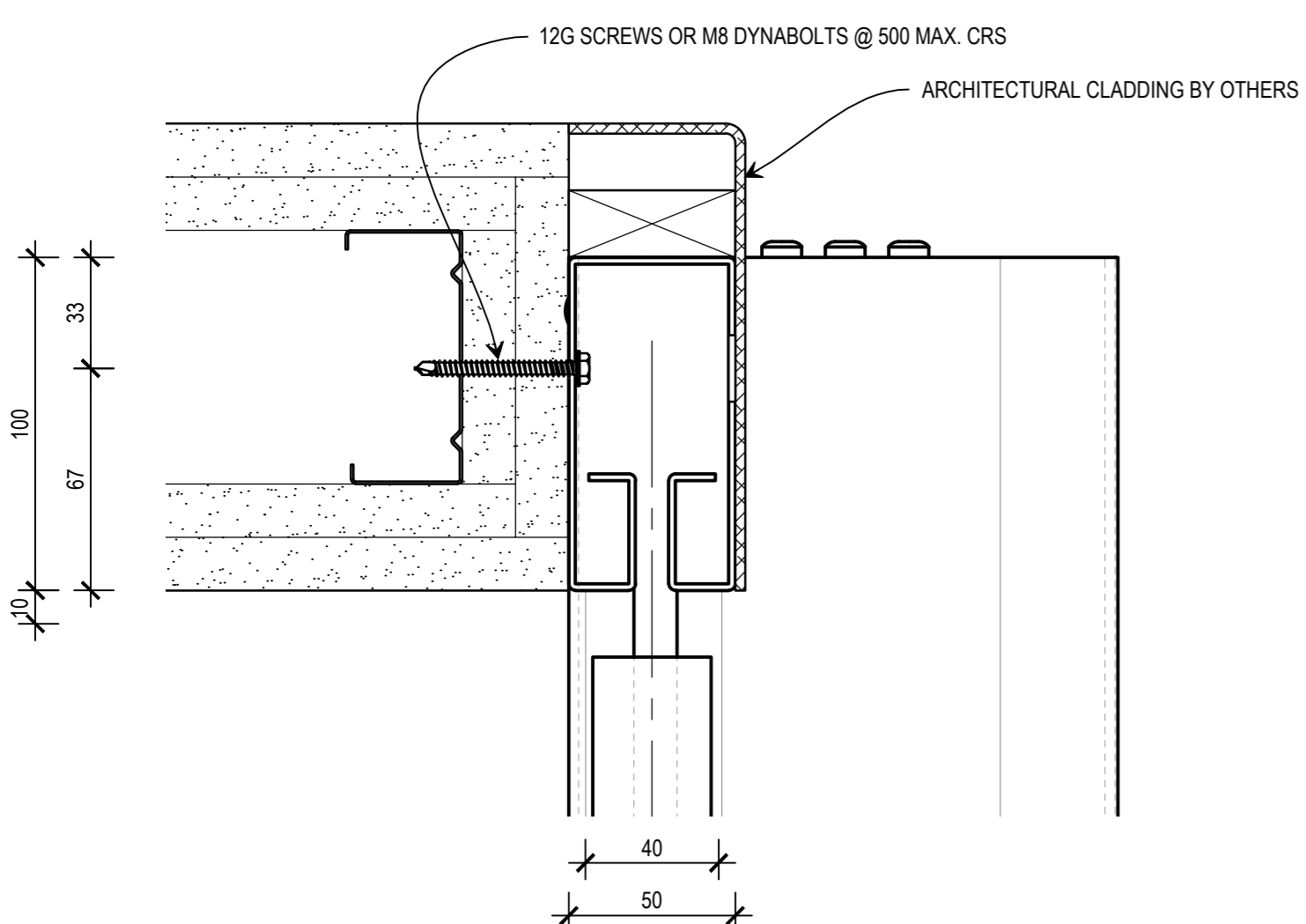
CHK	REASON	DATE
A BK	FOR INFORMATION	06/04/2017



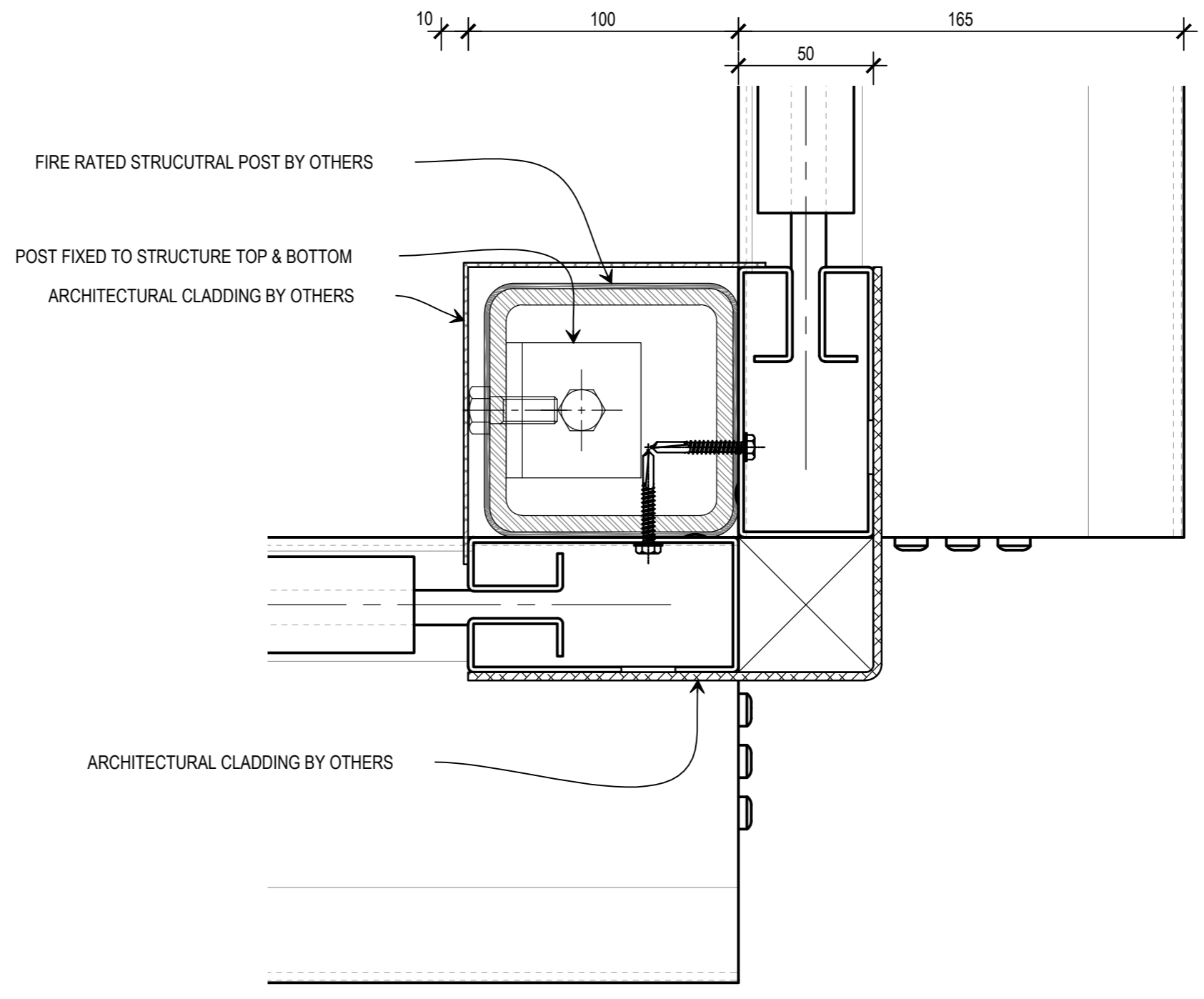
**1** PLAN  
**TOE FIXED SIDE GUIDE**  
 SCALE 1:2 @ A2



**2** PLAN  
**REBATED SIDE GUIDE**  
 SCALE 1:2 @ A2



**3** PLAN  
**FACE FIXED SIDE GUIDE**  
 SCALE 1:2 @ A2



**4** PLAN  
**90° POST DETAIL**  
 SCALE 1:2 @ A2

**DISCLAIMER**

INFORMATION GIVEN IN SMOKECONTROL.COM.AU AND PUBLICATIONS FOR DOWNLOAD ARE GIVEN TO THE BEST OF OUR KNOWLEDGE AND IN GOOD FAITH. SMOKE CONTROL IS NOT RESPONSIBLE IF RECIPIENTS OF TEST REPORTS, ASSESSMENTS OR LITERATURE MISINTERPRET THE CONTENTS AND WRONGLY USE PRODUCTS BASED ON THOSE MISINTERPRETATIONS. NO LIABILITY IS ACCEPTED FOR ERROR OMISSIONS IN THIS WEB SITE OR OUR DOCUMENTS. IN THE INTERESTS OF IMPROVEMENTS AND CONTINUED DEVELOPMENT SMOKE CONTROL RESERVES THE RIGHT TO CHANGE SPECIFICATION WITHOUT NOTICE.

**INFORMATION COPY ONLY**



WWW.SMOKECONTROL.COM.AU  
 AUSTRALIAN HEADOFFICE PHONE: 1300 665 471  
 NEW ZEALAND PHONE: 09 300 1980  
 INFO@SMOKECONTROL.COM.AU INFO@SMOKECONTROL.CO.NZ

PROJECT  
 FYREHALT INFORMATION PRODUCT TEMPLATE

CLIENT  
 FOR INFORMATION ONLY

TITLE  
 SIDE GUIDE FIXING DETAIL  
 90° POST CONFIGURATION  
 FYREHALT FIRE CURTAIN

SUB SET (CATEGORY)  
**ARCHITECTURAL**

DRAWING NUMBER  
**SCS-FH-TEMP-0104**

DRAWN BY  
 IGOR REBENKO  
 ISSUE STATUS:  
 INFORMATION

START DATE  
 04/11/2015  
 SCALE  
 1:2  
 @A2

FILE: SCS-FH-TEMP.dwg - PLOTTED ON 06/04/2017 BY IGOR REBENKO

<<< 594mm >>>