

PROPRIETARY ITEM: FIBERHSIELD – V
AUTOMATIC OVERHEAD COILING TYPE FABRIC FIRE CURTAIN

This master specification should be read in conjunction with “How to specify fire curtains technical guide” to be published 2017. In the interim, please contact our technical department on 1300 665 471 if you require further information.

PART 1 - GENERAL

1.01 SUMMARY

- A. Section Includes:
 - 1. Fire alarm or smoke detector-activated, overhead coiling fabric fire curtain.
 - 2. Self-closing without auxiliary power.
 - 3. For small and medium protected openings.

- B. Related Requirements:
 - 1. Access Panels.
 - 2. Load Bearing Header Framing
 - 3. Finish: Powder coating of specified components.
 - 4. Detection and Alarm: Provision of fire alarm.
 - 5. Site Electrical: Provision of 240VAC, 10Amp General purpose outlets (GPO's)
 - 6. Product Electrical: System connection including cable glands, junction boxes, conductors, wiring devices, and backup power.

1.02 REFERENCES

- A. National Construction Code and Fire Engineers Report:
 - 1. NCC 2014/2015
 - 2. FE Report Y; Version XX, Dated;

- B. Standards: (Relevant sections to be considered when writing an alternate solution)
 - 1. AS1670 – Automatic detection and alarm systems
 - 2. AS1530.4 – Methods for fire tests on building materials, components and structures, Part 4 Fire-resistance test of elements of construction.
 - 3. AS1905.2 – Fire Shutters.
 - 4. AS3837– Method of test for heat and smoke release rates for materials and products using an oxygen consumption calorimeter
 - 5. AS6905.1 – Smoke Doors
 - 6. AS1530.7 – Methods for fire tests on building materials, components and structures. Part 7 – Smoke control assemblies – ambient and medium temperature leakage test procedure.
 - 7. CE Mark

- C. Other Technical Data
 - 1. Heat and mass transfer calculations
 - 2. Fluid Dynamics calculations
 - 3. CFD Modeling

1.03 SUSTAINABLE DESIGN REQUIREMENTS

- A. ESD: Comply with sustainable design requirements including, without limitation, submittal and documentation requirements.
- B. Credit/Point Goals Applicable To This Section: In addition to global project credit/point goals:
 - 1. Materials & Resources - construction waste management
 - 2. Materials & Resources - recycled content
 - 3. Materials & Resources - regional materials
 - 4. Indoor Environmental Quality - construction IAQ management plan

1.04 SUBMITTALS

- A. Comply with Submittal Procedures:
 - 1. NCC Clause A2.4 Evidence of Suitability – submit full scale fire test report and Formal Opinion from a Registered Testing Authority clearly identifying maximum Fire Resistance Level and maximum allowable sizes.
 - 2. Manufacturers Product data
 - 3. Shop drawings:
 - i. Curtain location and unique identification number
 - ii. Include opening dimensions
 - iii. Show and identify related work performed under other sections of the specifications including access and electrical requirements
 - 4. Quality Assurance/Control Submittals:
 - i. Site Inspection and Test Plan.
 - ii. Manufacturers ISO 9001 Certificate of Accreditation

1.05 CLOSEOUT SUBMITTALS

- A. Comply with Project Closeout:
 - 1. Certificate of Compliance with reference to Fire Engineers Report and Evidence of Suitability.
 - 2. Operation and maintenance manual.
 - 3. Manufacturer's warranty.

1.06 QUALITY ASSURANCE

- A. Certifications:
 - 1. AS1530.4 full scale fire test on a complete assembly in a fire rated masonry/concrete slab
 - 2. National Construction Code Clause C1.10 when tested to AS3837
 - 3. AS1530.7 full scale air (smoke) leakage test on a complete assembly OR using calculations dependent on permeability data and gaps created.
 - 4. Laboratory cycle tested on a 3m x 3m complete assembly
- B. Pre-Installation Meeting:
 - 1. Schedule and convene a pre-installation meeting prior to commencement of field operations with representatives of the following in attendance: Owner, Architect, General Contractor, fire curtain sub-contractor, mechanical sub-contractor, electrical sub-contractor, and ceiling/fitout sub-contractor
 - 2. Review substrate conditions, requirements of related work, installation instructions, storage and handling procedures, and protection measures.
 - 3. Document the responsibilities of various parties and deviations from specifications and installation instructions.

1.07 DELIVERY, STORAGE, AND HANDLING

- A. Comply with project delivery, storage, and handling requirements.
- B. Comply with manufacturer's instructions.

1.08 WARRANTY

- A. Provide manufacturer's standard one year warranty for Defect Liability Period.
- B. Provide manufacturer's standard 5 year product and installation warranty in conjunction with a Smoke Control's standard 5 + 5 year maintenance contract
- C. Maintenance and Testing:
 - 1. Perform minimum quarterly maintenance and testing on each fire curtain as required by the manufacturer's warranty, AS1851 - Maintenance, and as required by the Fire Engineers Report.
 - 2. Provide Commissioning documentation including Project name, project address, location and curtain number, number of cycles tested, observations, comments (eg: curtain out of alignment), notes (eg: curtain alignment repaired), Pass/fail.
 - 3. Re-certification after the defect liability period

PART 2 - PRODUCTS

2.01 MANUFACTURED UNITS

- A. Proprietary item; Model Fibershield - V automatic vertical fire curtain.
- B. Manufacturer:
 - 1. Stoebich Brandschutz GmbH
 - 2. Distributed by Smoke Control Systems Pty Ltd, 26 Ferndell St, South Granville, NSW 2142, Australia www.smokecontrol.com.au
- C. Label each fire curtain with following information:
 - 1. Manufacturer's name and contact details.
 - 2. Curtain location and unique identification number
 - 3. Fire Resistance Level
 - 4. Date of installation

2.02 DESIGN CRITERIA

- A. Country of Manufacture: Germany
- B. Maximum allowable size: 30,000 mm wide x 6m drop and 8,000 mm wide x 10,000 mm drop.
- C. Head box; Single span, continuous without overlap system of dimensions as follows;
 - i) Less than and equal to 3.5m drop = 200 H x 190 W mm
 - ii) Less than 6m drop = 250 H x 190 W mm
 - iii) Less than 9m drop = 290 H x 235 W mm

- D. Bearing type: Patented floating bearings with intermediate roller system for fault free operation.
- E. Side guide;
 - i. Less than 6m drop; Type 105 E 105 mm x 74 mm concealed system
 - ii. Less than 9m drop; Type 140 E 140 mm x 74 mm concealed system

See manufacturer's literature for head box and side guide mounting options.

- F. Side guide restraint system; Patented double stitched pocket and continuous rod system for pressure resistance and premium performance.
- G. Fabric type; 660g/m² stainless steel woven fabric, incorporating a coated glassfibre material to reduce radiant heat transmission.
- H. Motor type; Gravigen 240V tubular motor with mechanical upper and lower limit settings
- I. Bottom bar; 65mm wide (at the base) heavy duty triangular section, requiring a 80mm min. slot in the ceiling lining.
- J. Accessories;
 - i. Self-levelling bottom bar cover
 - ii. Flush ceiling mounted radial obstruction sensors spaced as required
 - iii. Strobes and sounders
 - iv. Wall/podium mounted rewind button
- K. Finishes; Dulux Duralloy colour range (Standard)
- L. Load requirements at head = 25kg/m of width
- M. Load requirements at sides (only if side guide required) = 20kg/m of height
- N. Mounting orientation
 - 1. Installation Configuration: Housing attached directly to substrate above opening
 - 2. Fire rated bulkhead to be constructed by others in accordance with Smoke Control drawings
 - 2. Fabricate and install mounting brackets, hardware, and fasteners needed to attach fire curtain assembly to building structure.
- O. Signage on curtain (standard stencils)
 - 1. Green running man (350 x 350mm)
 - 2. Arrows (350 x 190mm high)
 - 3. Fire Safety Curtain (150mm high x 1500mm long)
 - 4. Push Button (100mm high)

2.03 PERFORMANCE CRITERIA

- 1. Fire Resistance Level (FRL): -/120/-
- 2. Smoke leakage: $\leq 25\text{m}^3/\text{hour}/\text{m}^2$ (fabric)
- 3. Group Number for fabric: 1 when tested in accordance with AS3837
- 4. Durability; medium – high duty – tested to 10,000 maintenance free cycles
- 5. Maximum pressure when fully deployed;
 - i. $\Delta 50\text{Pa}$ up to 100m^2 system
 - ii. $\Delta 100\text{Pa}$ up to 50m^2 system
- 6. Maximum allowable gap to non-combustible sill 25mm
- 7. Combustible floor coverings permitted at threshold (conditions apply)
- 8. Closing time of 100 - 200mm/sec

9. Time delay to required (exhaust/pressurization) fan speed = 60 seconds (min) – 90 seconds (max). Time is dependent on drop height of curtain.
10. Time delay for rewind; ensure fan speed is zero + 20 seconds prior to reset of alarm signal from FIP enabling curtain rewind.
11. Fail safe close on loss of power and/or signal trip using battery backup.
12. Motor rewind automatically on re-set of power and alarm signal, no service call needed.
13. Battery backup to reduce nuisance deploys required.
14. Commissioning shall be conducted in conjunction with Mechanical services and detection/alarm system. Systems shall be balanced to work together without over pressurizing the fire curtain.
15. Maintenance shall be conducted quarterly by the Manufacturer and/or their nominated representative to the Manufacturers recommendations.

2.04 COMPONENTS

- A. Curtain Fabric: Protex 1100.1 A2 - Glass fibre material with stainless steel wire reinforcement, coated on a single side with polyurethane and incorporating RED cotton stitching for product identification.
- B. Side Guide Assembly: 2.0mm thick Zinalume mild steel incorporating continuous rod and pocket restraint system.
- C. Housing Type: 2.0mm thick galvanized mild steel head box incorporating motor brackets, and single span drive system.
- D. Drive system: Drive shaft system forming a single continuous drive unit once installed. Powered by 240V motors and 240V motor controllers. All concealed within the head box structure.
- E. Bottom Bar: 2.0mm thick heavy duty galvanized mild steel triangular section with optional self levelling cover
- F. Gravigen™ Rewind Motor
 1. Tubular motor with fail safe gravity deploy operation.
 2. Mechanical upper and lower limit settings
 3. 240 VDC.
- G. Control option 1:

RZ-7 Master control with AM-S slave control set

 1. Push button user interface and mode indicators
 2. Battery backup incorporating low voltage alarm
 3. 240 VAC power
 4. Normally closed 0 Volt alarm signal
- H. Control Option 2:

AM-S-EV Trigger unit (Master/slave required for widths greater than 16m wide).

 1. 240 VAC power
 2. Normally closed 0 Vol
 3. Optional rewind button

PART 3 - EXECUTION

3.01 EXAMINATION

- A. Examine substrates upon which work will be installed.

1. Verify related work performed under other sections is complete and in accordance with shop drawings.
 2. Verify wall surfaces are acceptable for installation of fire curtain system components
 3. Verify setout point locations.
- B. Coordinate with responsible entity to perform corrective work on unsatisfactory substrates.
- C. Coordinate electrical interface and connection with Electrical sub-contractor.
- D. Coordinate fire and alarm interface with fire sub-contractor.
- E. Commencement of work by installer is acceptance of substrate.

3.02 INSTALLATION

- A. Install fire curtain system components in accordance with fire test approvals and manufacturer's installation instructions.
- B. While some Registered Testing Authorities provide Formal Opinions in regards to the expected fire resistance level of fire curtains, they do not discuss nor provide a warranty in regards to their reliability. Experience shows that some manufacturer designs of fire curtains do not operate reliably once installed and attract extraordinarily high maintenance costs. For this reason multiple barrel, overlapped fire curtains are deemed not equivalent to this specification on this project and shall not be substituted for a single barrel continuous span system.
- C. Once installed it shall be demonstrated that the system shall gravity fail safe close on loss of power without the need of battery backup and on the receipt of an alarm signal. On reset of power and the alarm signal the system shall automatically rewind to its standby position

3.03 FIELD QUALITY CONTROL

A. Field Test 1: Calibration

Follow manufacturer's cycle test procedures prior to application of mechanical services.

1. Conduct a minimum of 10 consecutive, error free cycle tests
2. Complete Inspection and Test Plan

B. Field Test 2: Balancing test

Test operation on general alarm in conjunction with mechanical services

1. Adjust fan speed and activation timing to ensure pressure does not exceed $\Delta 25\text{Pa}$ across fire curtain and to minimize gaps at the sill.

C. Field Test 3: Commissioning

Test operation on general alarm (or zone alarm as required by Fire Engineers Report) by activating an adjacent smoke detector

1. Notify Owner's Representative, local Fire Services and alarm sub-contractor minimum one week in advance of scheduled testing.
2. Complete Commissioning submittals.

END OF SECTION

SCS PROJECT - FSV FIBERSHIELD V



ATTENTION: TECHNICAL REQUIREMENTS FOR THIS PROJECT



No	DESCRIPTION	REQUIREMENT	RESPONSIBILITY
1	WORKS DONE BY OTHERS	ALL DETAILS PERTAINING TO WORK BY OTHERS IS AN ADVISEMENT ONLY AND IT IS THE RESPONSIBILITY OF THE SUPPLIER AND INSTALLER OF THE ITEM/S TO CONFIRM COMPLIANCE TO ITS SUITABILITY FOR THE PURPOSE AND TO CERTIFY ITS COMPLIANCE TO THE REQUIRED FRL TO THE SATISFACTION OF THE FE OR CERTIFIER.	BUILDER, ARCHITECT, OTHER TRADES
2	SHOP DRAWINGS	APPROVAL OF SHOP DRAWINGS (SIGNATURE AND DATE) IS REQUIRED TO BE RETURNED TO SMOKE CONTROL SYSTEM BEFORE MANUFACTURE CAN COMMENCE.	BUILDER, ARCHITECT
3	DELIVERIES TO SITE	IF REQD. FORKLIFT TO BE MADE AVAILABLE.	BUILDER
4	VERTICAL MOVEMENT OF PRODUCT	IF REQD. CRANE SHALL BE AVAILABLE TO SMOKE CONTROL SYSTEMS AT AGREED TIME OF DELIVERY. IF THIS IS NOT AVAILABLE, THIS MAY INCUR EXTRA CHARGES.	BUILDER
5	STORAGE	SUFFICIENT CLEAR FLOOR SPACE TO BE MADE AVAILABLE IMMEDIATELY ADJACENT TO EACH INSTALLATION LOCATION.	BUILDER
6	ACCESS TO WORKFACE (INSTALLATION)	REASONABLY ADEQUATE WORKING AREA REQD., MIN 500mm FROM SYSTEM TO STRUCTURE IS IDEAL. SUBJECT TO SITE CONDITIONS.	BUILDER
7	BALUSTRADES (WHERE PRESENT)	WHERE APPLICABLE, BALLUSTRADES MUST NOT INTERFERE WITH THE OPERATION OF CURTAIN IN ANY WAY. MIN. 100mm FROM SYSTEM TO BALUSTRADE OFFSET IS IDEAL.	BUILDER
8	ACCESS PANELS (INSTALLATION WITHIN CEILING CAVITY)	450X450 NOM. ACCESS PANELS TO BE PROVIDED. THREE EQUALLY SPACED PANELS (ONE ON EITHER END AND ONE DEAD CENTRE) WILL BE REQUIRED WHERE ACCESS TO HEAD BOX IS RESTRICTED. MAY NOT BE REQD. WHERE REMOVABLE GRID CEILING ALLOWS FOR CLEAR ACCESS TO CURTAIN CONTROLLERS.	BUILDER, CEILING CONTRACTOR
9	POWER REQUIREMENTS	240 VOLT 10 AMP GPO TO BE LOCATED NO MORE THAN 1m AWAY FROM NOMINATED LOCATION OF CURTAIN CONTROLLERS.	BUILDER, ELECTRICAL
10	ALARM SIGNAL, ACTIVATION	0 VOLT NORMALLY CLOSED CONTACT (OPEN ON ALARM) TO BE PROVIDED WITHIN 1 METRE OF CURTAIN CONTROLLER.	BUILDER, ELECTRICAL, FIRE
11	PRESSURISATION, EXHAUST SYSTEMS	IMPORTANT: BALANCING TO CONSIDER AFFECTS OF CURTAINS 20 PA MAX. PRESSURE DIFFERENTIAL STRONGLY RECOMMENDED.	BULDER, MECHANICAL SERVICES
12	TUNING	ALL SCAFFOLDING & OTHER TRADES TO BE CLEAR 2 DAYS PRIOR TO TUNING & COMMISSIONING.	BUILDER
13	COMMISSIONING STAGE 1	PRACTICAL COMPLETION TESTS: PERMANENT POWER & ALARMS CONNECTED FOR DRY RUN PRIOR TO CSC. CURTAINS MUST BE ISOLATED DURING INDIVIDUAL COMMISSIONING OF OTHER ESSENTIAL SERVICES. (PRODUCT LOCKED IN OPEN POSITION AFTER TESTING)	SMOKE CONTROL SYSTEMS & BUILDER
14	COMMISSIONING STAGE 2	COORDINATED SERVICES COMMISSIONING (CSC)	SMOKE CONTROL SYSTEMS
15	COMMISSIONING STAGE 3	WITNESS TESTING, FINAL COMMISSIONING & HANDOVER	SMOKE CONTROL SYSTEMS

DIFFERENTIAL PRESSURE

OPENING SIZE AREA	Δ Pa
100m ²	50Pa
50m ²	100Pa

SYSTEM	COMPONENT	MATERIALS	FRL	COLOUR/FINISH
FIBERSHIELD V	HEAD BOX & BOTTOM BAR	GALVANISED STEEL	-/120/-	POWDER COATING IN STANDARD RAL COLOURS <small>WILL COME IN GALVANISED FINISH IF COLOUR IS NOT PROVIDED BY CLIENT SPECIAL ORDER STAINLESS STEEL AVAILABLE</small>
	SIDE GUIDES	GALVANISED STEEL		
	FABRIC	1100°C RATED		

PRODUCT SPECIFICATIONS

DRAWING INDEX

SHEET	DESCRIPTION	REV
0001	COVER SHEET	-
0002	3D INDICATIVE VIEW	-
0003	FRONT ELEVATION	-
0004	SIDE ELEVATION - HEAD BOX MOUNTING OPTIONS	-
0005	PLAN VIEW - SIDE GUIDE MOUNTING OPTIONS	-
0006	BOTTOM BAR OPTIONS	-
0007	OBSTRUCTION SENSORS	-

THIS DRAWING IS COPYRIGHT AND THE PROPERTY OF THE AUTHOR, AND MUST NOT BE RETAINED, COPIED OR USED WITHOUT THE AUTHORITY OF SMOKE CONTROL SYSTEMS PTY. LTD.
DO NOT SCALE FROM DRAWING. USE PROVIDED DIMENSIONS ONLY.
ALL DISCREPANCIES MUST BE BROUGHT TO THE ATTENTION OF AUTHOR.
SMOKE CONTROL SYSTEMS DO NOT TAKE RESPONSIBILITY OF MEASUREMENTS PROVIDED BY OTHERS.

REV	CHK	REASON	DATE
-	BK	FOR INFORMATION	27/01/2017

DISCLAIMER

INFORMATION GIVEN IN SMOKECONTROL.COM.AU AND PUBLICATIONS FOR DOWNLOAD ARE GIVEN TO THE BEST OF OUR KNOWLEDGE AND IN GOOD FAITH. SMOKE CONTROL IS NOT RESPONSIBLE IF RECIPIENTS OF TEST REPORTS, ASSESSMENTS OR LITERATURE MISINTERPRET THE CONTENTS AND WRONGLY USE PRODUCTS BASED ON THOSE MISINTERPRETATIONS. NO LIABILITY IS ACCEPTED FOR ERROR OMISSIONS IN THIS WEB SITE OR OUR DOCUMENTS. IN THE INTERESTS OF IMPROVEMENTS AND CONTINUED DEVELOPMENT SMOKE CONTROL RESERVES THE RIGHT TO CHANGE SPECIFICATION WITHOUT NOTICE.

INFORMATION COPY ONLY



WWW.SMOKECONTROL.COM.AU

NSW HEADOFFICE
PHONE: 1300 665 471
26 FERDELL ST,
(ENTER VIA STRAITS AVE)
SOUTH GRANVILLE NSW 2142

WESTERN AUSTRALIA:
AUSTRALIAN FIRE CONTROL
PHONE: 08 9399 6957
UNIT 2, 71-73 BRANT RD
KELMSCOTT WA 6997

VICTORIA OFFICE
PHONE: 0417 657 623
336 SETTLEMENT RD
THOMASTOWN VIC 3074

NEW ZEALAND
PHONE: 09 300 1980
LEVEL 4, 369 QUEEN ST
AUCKLAND NZ 1010

PROJECT
FSV
FIBERSHIELD V

CLIENT

TITLE
COVER SHEET

SUB SET (CATEGORY)
OO - TEMPLATE

DRAWING NUMBER

FSV-0001

DRAWN BY
IGOR REBENKO

ISSUE STATUS:
INFORMATION

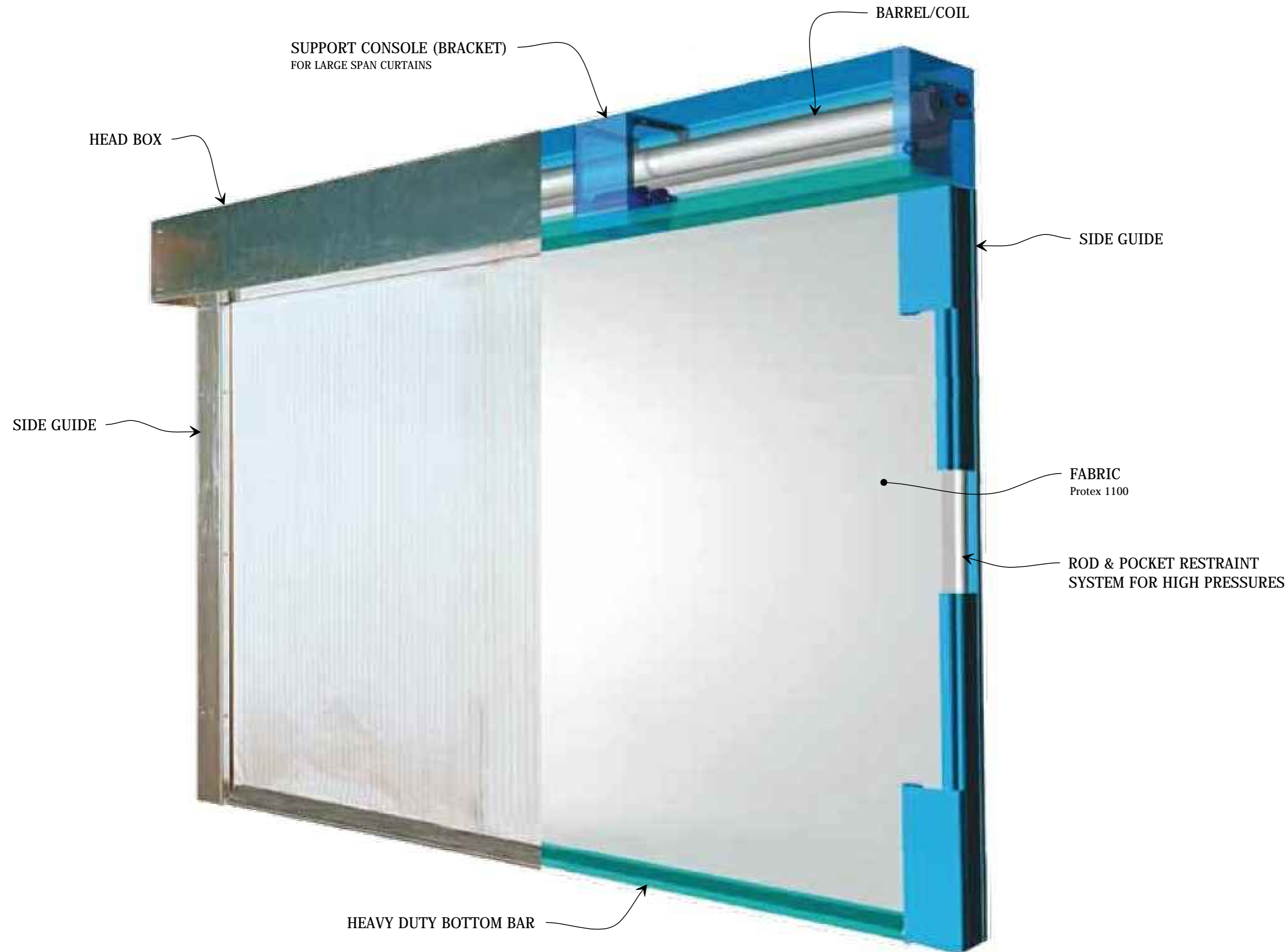
START DATE
27/01/2017

SCALE
AS SHOWN @A2

FILE: FSV.dwg -- PLOTTED ON 01/02/2017 BY IGOR REBENKO

420mm

FIBERSHIELD V - PREMIUM FIRE CURTAIN



THIS DRAWING IS COPYRIGHT AND THE PROPERTY OF THE AUTHOR, AND MUST NOT BE RETAINED, COPIED OR USED WITHOUT THE AUTHORITY OF SMOKE CONTROL SYSTEMS PTY. LTD.
 DO NOT SCALE FROM DRAWING. USE PROVIDED DIMENSIONS ONLY.
 ALL DISCREPANCIES MUST BE BROUGHT TO THE ATTENTION OF AUTHOR.
 SMOKE CONTROL SYSTEMS DO NOT TAKE RESPONSIBILITY OF MEASUREMENTS PROVIDED BY OTHERS.

REV	CHK	REASON	DATE
-	BK	FOR INFORMATION	27/01/2017

DISCLAIMER

INFORMATION GIVEN IN SMOKECONTROL.COM.AU AND PUBLICATIONS FOR DOWNLOAD ARE GIVEN TO THE BEST OF OUR KNOWLEDGE AND IN GOOD FAITH. SMOKE CONTROL IS NOT RESPONSIBLE IF RECIPIENTS OF TEST REPORTS, ASSESSMENTS OR LITERATURE MISINTERPRET THE CONTENTS AND WRONGLY USE PRODUCTS BASED ON THOSE MISINTERPRETATIONS. NO LIABILITY IS ACCEPTED FOR ERROR OMISSIONS IN THIS WEB SITE OR OUR DOCUMENTS. IN THE INTERESTS OF IMPROVEMENTS AND CONTINUED DEVELOPMENT SMOKE CONTROL RESERVES THE RIGHT TO CHANGE SPECIFICATION WITHOUT NOTICE.

INFORMATION COPY ONLY



WWW.SMOKECONTROL.COM.AU

NSW HEADOFFICE
 PHONE: 1300 665 471
 26 FERNDILL ST,
 (ENTER VIA STRAITS AVE)
 SOUTH GRANVILLE NSW 2142

WESTERN AUSTRALIA:
 AUSTRALIAN FIRE CONTROL
 PHONE: 08 9399 6957
 UNIT 2, 71-73 BRANT RD
 KELMSCOTT WA 6997

VICTORIA OFFICE
 PHONE: 0417 657 623
 336 SETTLEMENT RD
 THOMASTOWN VIC 3074

NEW ZEALAND
 PHONE: 09 300 1980
 LEVEL 4, 369 QUEEN ST
 AUCKLAND NZ 1010

PROJECT
**FSV
 FIBERSHIELD V**

CLIENT

TITLE
3D INDICATIVE VIEW

SUB SET (CATEGORY)
OO - TEMPLATE

DRAWING NUMBER
FSV-0002

DRAWN BY
IGOR REBENKO

ISSUE STATUS:
INFORMATION

START DATE
27/01/2017

SCALE
AS SHOWN @A2

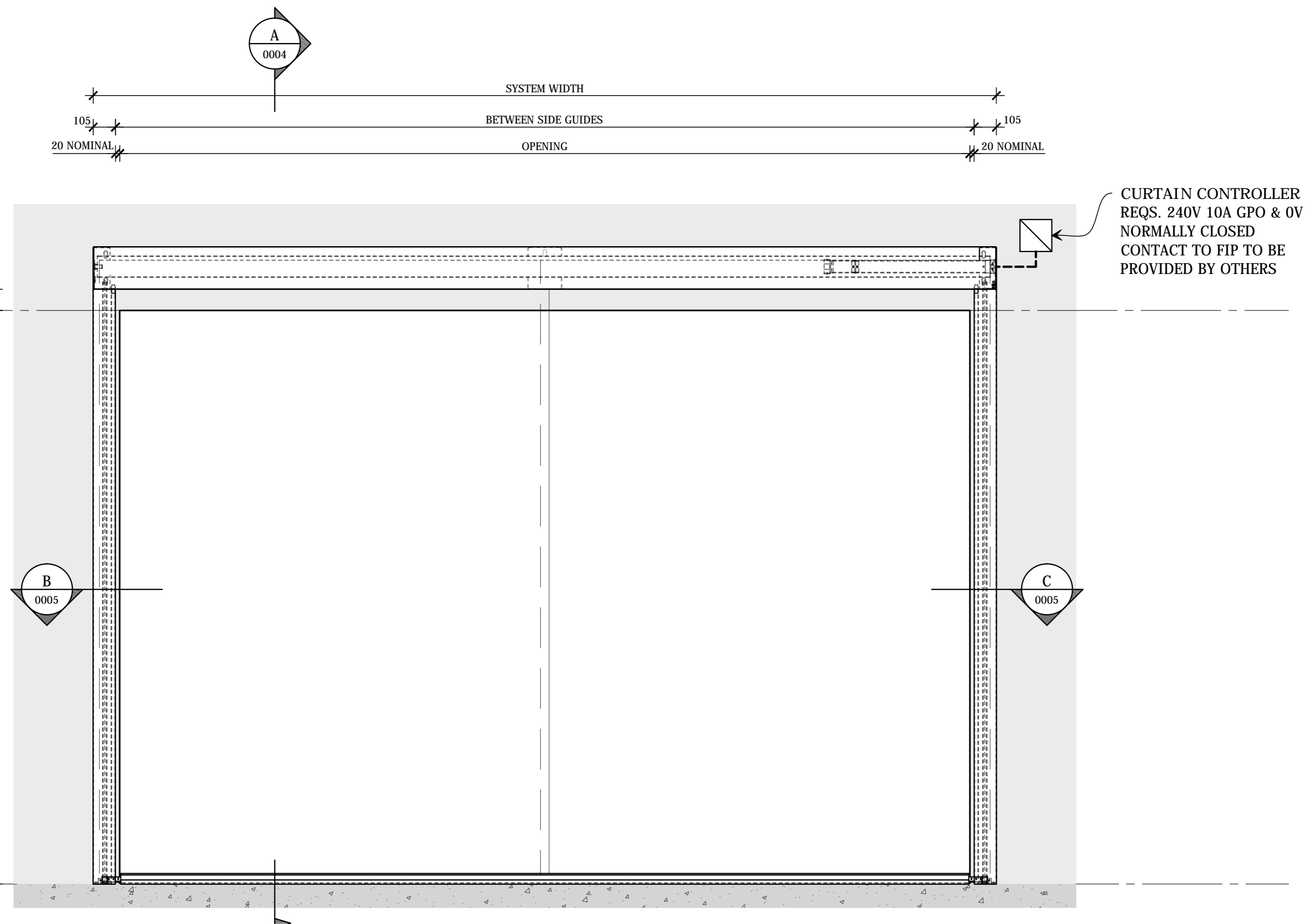
1 3D VIEW
FIBERSHIELD V - PREMIUM FIRE CURTAIN
 SCALE NTS @ A2

FILE: FSV.dwg -- PLOTTED ON 01/02/2017 BY IGOR REBENKO

420mm <<< 594mm

THIS DRAWING IS COPYRIGHT AND THE PROPERTY OF THE AUTHOR, AND MUST NOT BE RETAINED, COPIED OR USED WITHOUT THE AUTHORITY OF SMOKE CONTROL SYSTEMS PTY. LTD.
 DO NOT SCALE FROM DRAWING. USE PROVIDED DIMENSIONS ONLY.
 ALL DISCREPANCIES MUST BE BROUGHT TO THE ATTENTION OF AUTHOR.
 SMOKE CONTROL SYSTEMS DO NOT TAKE RESPONSIBILITY OF MEASUREMENTS PROVIDED BY OTHERS.

REV	CHK	REASON	DATE
-	BK	FOR INFORMATION	27/01/2017



DISCLAIMER

INFORMATION GIVEN IN SMOKECONTROL.COM.AU AND PUBLICATIONS FOR DOWNLOAD ARE GIVEN TO THE BEST OF OUR KNOWLEDGE AND IN GOOD FAITH. SMOKE CONTROL IS NOT RESPONSIBLE IF RECIPIENTS OF TEST REPORTS, ASSESSMENTS OR LITERATURE MISINTERPRET THE CONTENTS AND WRONGLY USE PRODUCTS BASED ON THOSE MISINTERPRETATIONS. NO LIABILITY IS ACCEPTED FOR ERROR OMISSIONS IN THIS WEB SITE OR OUR DOCUMENTS. IN THE INTERESTS OF IMPROVEMENTS AND CONTINUED DEVELOPMENT SMOKE CONTROL RESERVES THE RIGHT TO CHANGE SPECIFICATION WITHOUT NOTICE.

INFORMATION COPY ONLY



WWW.SMOKECONTROL.COM.AU

NSW HEADOFFICE
 PHONE: 1300 665 471
 26 FERNDLELL ST,
 (ENTER VIA STRAITS AVE)
 SOUTH GRANVILLE NSW 2142

WESTERN AUSTRALIA:
 AUSTRALIAN FIRE CONTROL
 PHONE: 08 9399 6957
 UNIT 2, 71-73 BRANT RD
 KELMSCOTT WA 6997

VICTORIA OFFICE
 PHONE: 0417 657 623
 336 SETTLEMENT RD
 THOMASTOWN VIC 3074

NEW ZEALAND
 PHONE: 09 300 1980
 LEVEL 4, 369 QUEEN ST
 AUCKLAND NZ 1010

PROJECT
 FSV
 FIBERSHIELD V

CLIENT

TITLE
 FRONT ELEVATION

SUB SET (CATEGORY)
 OO - TEMPLATE

DRAWING NUMBER
 FSV-0003

DRAWN BY
 IGOR REBENKO

ISSUE STATUS:
 INFORMATION

START DATE
 27/01/2017

SCALE
 AS SHOWN @A2

FIXED BEARING TYPE			
SYSTEM SIZE		HEAD BOX SIZE	
SYSTEM WIDTH	DROP LENGTH	WIDTH	HEIGHT
< 5,000	< 4,000	190	200
< 5,000	> 3,500 ≤ 6,000	190	250
< 5,000	> 6,000 ≤ 9,000	235	290

FLOATING BEARING TYPE			
SYSTEM SIZE		HEAD BOX SIZE	
SYSTEM WIDTH	DROP LENGTH	WIDTH	HEIGHT
< 30,000	< 3,500	190	200
< 30,000	> 3,500 ≤ 6,000	190	250
< 20,000	> 6,000 ≤ 9,000	235	290

1 FRONT VIEW
 FIBERSHIELD - V
 SCALE 1:15 @ A2

FILE: FSV.dwg --- PLOTTED ON 01/02/2017 BY IGOR REBENKO

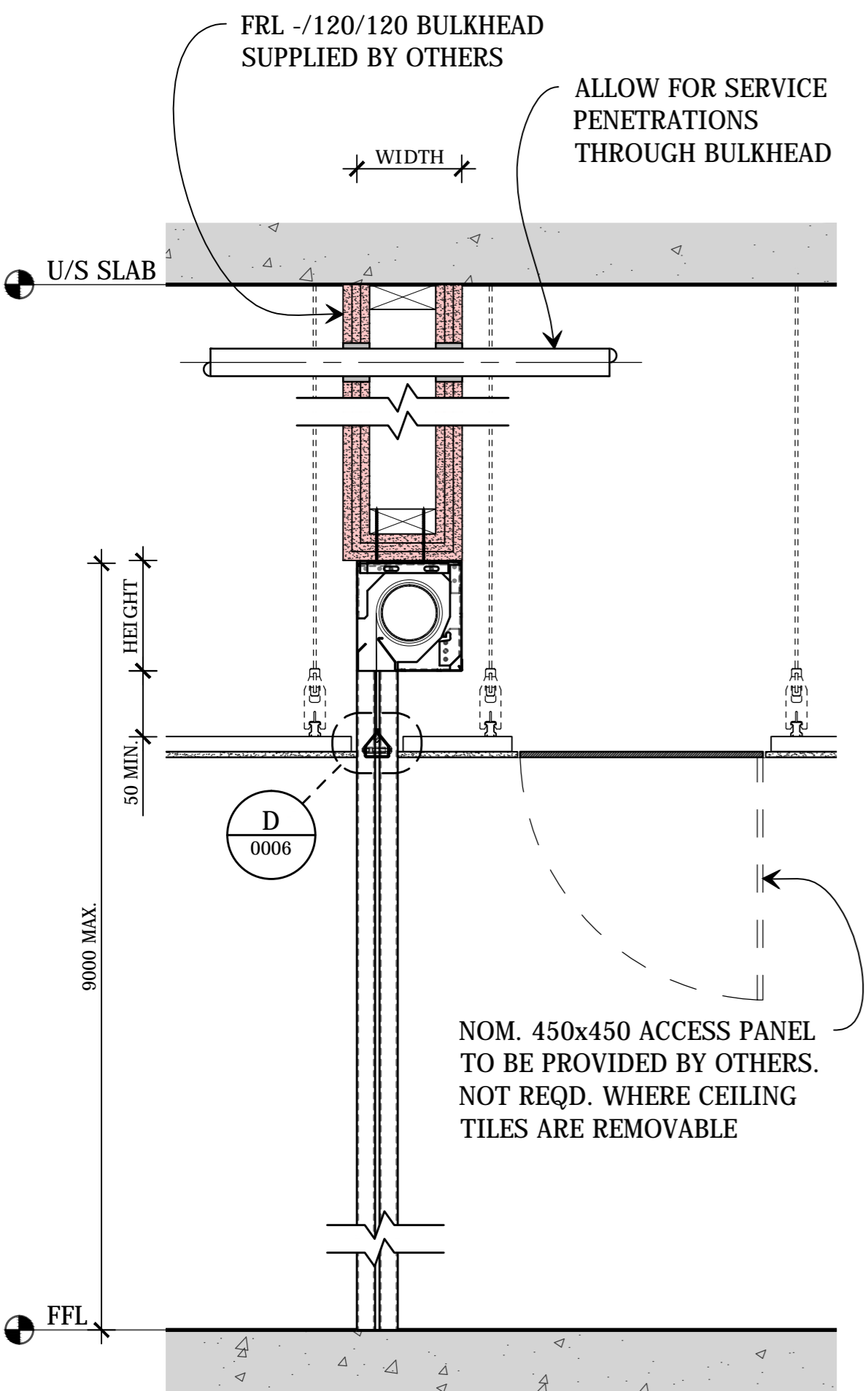
420mm
 <<< 594mm

HEAD BOX MOUNTING OPTIONS:

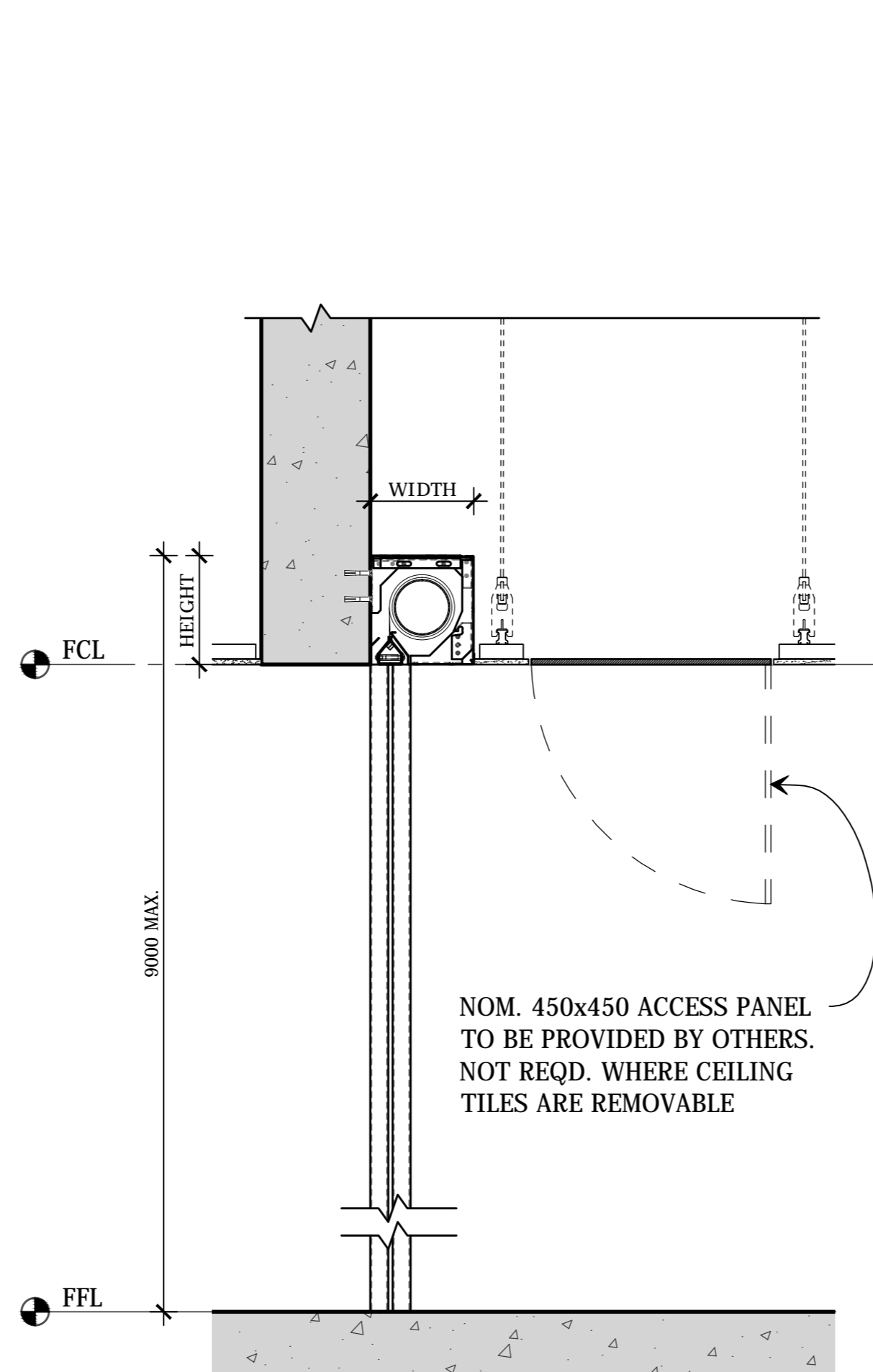
THIS DRAWING IS COPYRIGHT AND THE PROPERTY OF THE AUTHOR, AND MUST NOT BE RETAINED, COPIED OR USED WITHOUT THE AUTHORITY OF SMOKE CONTROL SYSTEMS PTY. LTD.
 DO NOT SCALE FROM DRAWING. USE PROVIDED DIMENSIONS ONLY.
 ALL DISCREPANCIES MUST BE BROUGHT TO THE ATTENTION OF AUTHOR.
 SMOKE CONTROL SYSTEMS DO NOT TAKE RESPONSIBILITY OF MEASUREMENTS PROVIDED BY OTHERS.

REV	CHK	REASON	DATE
-	BK	FOR INFORMATION	27/01/2017

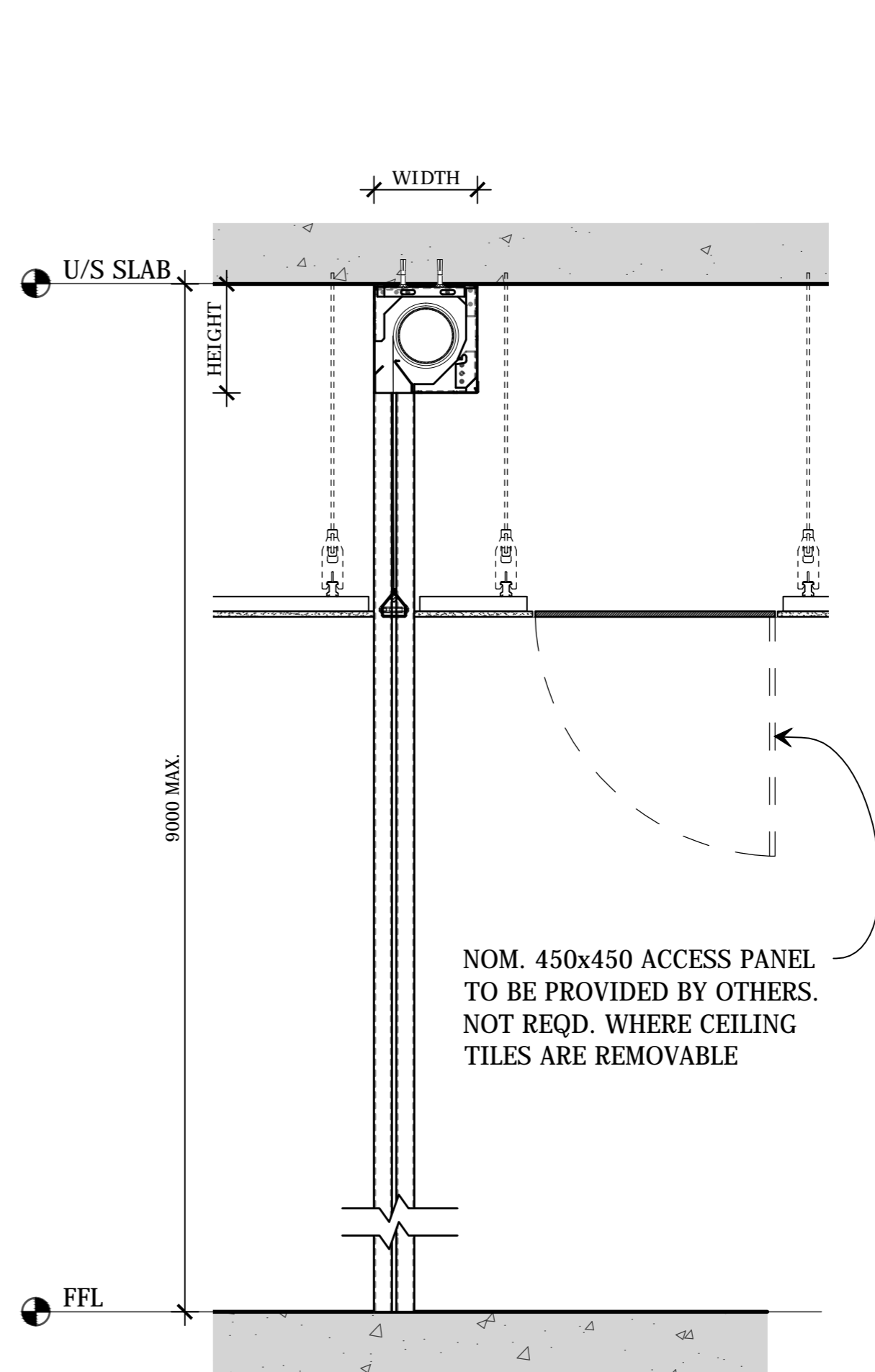
OPTION 1: SUSPENDED



OPTION 2: FACE FIXED



OPTION 3: TOP FIXED



DISCLAIMER
 INFORMATION GIVEN IN SMOKECONTROL.COM.AU AND PUBLICATIONS FOR DOWNLOAD ARE GIVEN TO THE BEST OF OUR KNOWLEDGE AND IN GOOD FAITH. SMOKE CONTROL IS NOT RESPONSIBLE IF RECIPIENTS OF TEST REPORTS, ASSESSMENTS OR LITERATURE MISINTERPRET THE CONTENTS AND WRONGLY USE PRODUCTS BASED ON THOSE MISINTERPRETATIONS. NO LIABILITY IS ACCEPTED FOR ERROR OMISSIONS IN THIS WEB SITE OR OUR DOCUMENTS. IN THE INTERESTS OF IMPROVEMENTS AND CONTINUED DEVELOPMENT SMOKE CONTROL RESERVES THE RIGHT TO CHANGE SPECIFICATION WITHOUT NOTICE.

INFORMATION COPY ONLY



WWW.SMOKECONTROL.COM.AU
 NSW HEADOFFICE: PHONE: 1300 665 471, 26 FERDELL ST, (ENTER VIA STRAITS AVE) SOUTH GRANVILLE NSW 2142
 WESTERN AUSTRALIA: AUSTRALIAN FIRE CONTROL PHONE: 08 9399 6957, UNIT 2, 71-73 BRANT RD KELMSCOTT WA 6997
 VICTORIA OFFICE: PHONE: 0417 657 623, 336 SETTLEMENT RD THOMASTOWN VIC 3074
 NEW ZEALAND: PHONE: 09 300 1980, LEVEL 4, 369 QUEEN ST AUCKLAND NZ 1010

PROJECT
 FSV
 FIBERSHIELD V

CLIENT

TITLE
 SIDE ELEVATION SECTION
 HEAD BOX MOUNTING OPTIONS

SUB SET (CATEGORY)
 OO - TEMPLATE

DRAWING NUMBER
FSV-0004

DRAWN BY
 IGOR REBENKO

START DATE
 27/01/2017

ISSUE STATUS:
 INFORMATION

SCALE
 AS SHOWN @A2

FIXED BEARING TYPE			
SYSTEM SIZE		HEAD BOX SIZE	
SYSTEM WIDTH	DROP LENGTH	WIDTH	HEIGHT
< 5,000	< 4,000	190	200
< 5,000	> 3,500 ≤ 6,000	190	250
< 5,000	> 6,000 ≤ 9,000	235	290

FLOATING BEARING TYPE			
SYSTEM SIZE		HEAD BOX SIZE	
SYSTEM WIDTH	DROP LENGTH	WIDTH	HEIGHT
< 30,000	< 3,500	190	200
< 30,000	> 3,500 ≤ 6,000	190	250
< 20,000	> 6,000 ≤ 9,000	235	290

FILE: FSV.dwg --- PLOTTED ON 01/02/2017 BY IGOR REBENKO

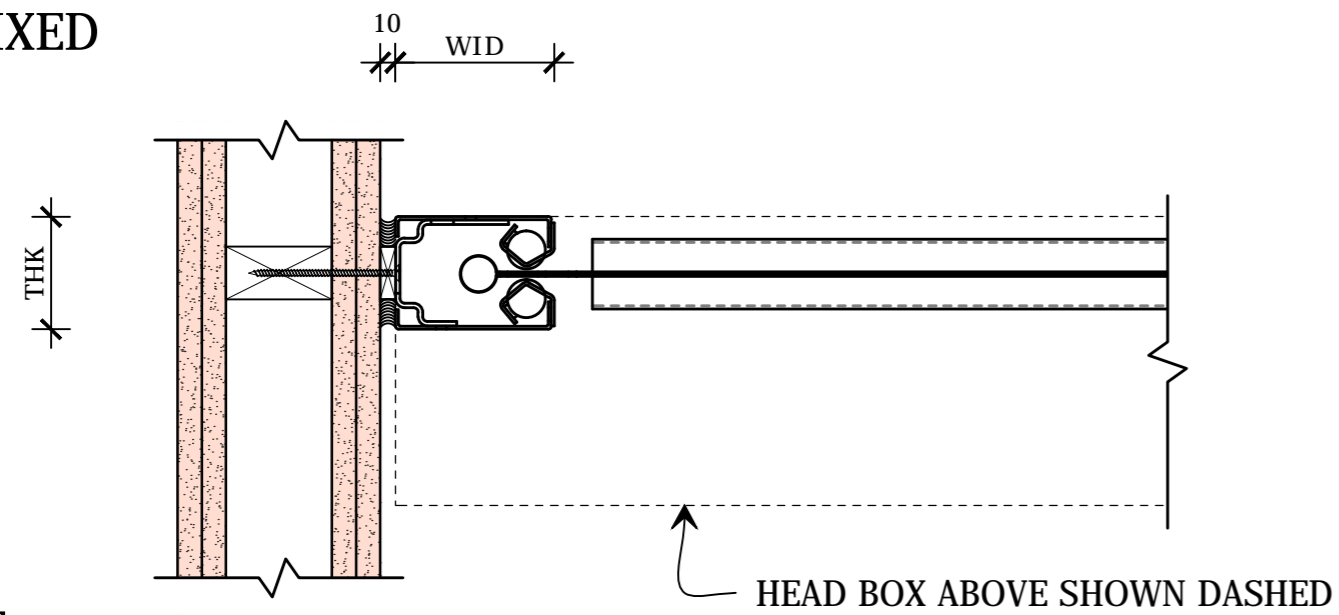
420mm
 <<< 594mm

SIDE GUIDE MOUNTING OPTIONS:

THIS DRAWING IS COPYRIGHT AND THE PROPERTY OF THE AUTHOR, AND MUST NOT BE RETAINED, COPIED OR USED WITHOUT THE AUTHORITY OF SMOKE CONTROL SYSTEMS PTY. LTD.
 DO NOT SCALE FROM DRAWING. USE PROVIDED DIMENSIONS ONLY.
 ALL DISCREPANCIES MUST BE BROUGHT TO THE ATTENTION OF AUTHOR.
 SMOKE CONTROL SYSTEMS DO NOT TAKE RESPONSIBILITY OF MEASUREMENTS PROVIDED BY OTHERS.

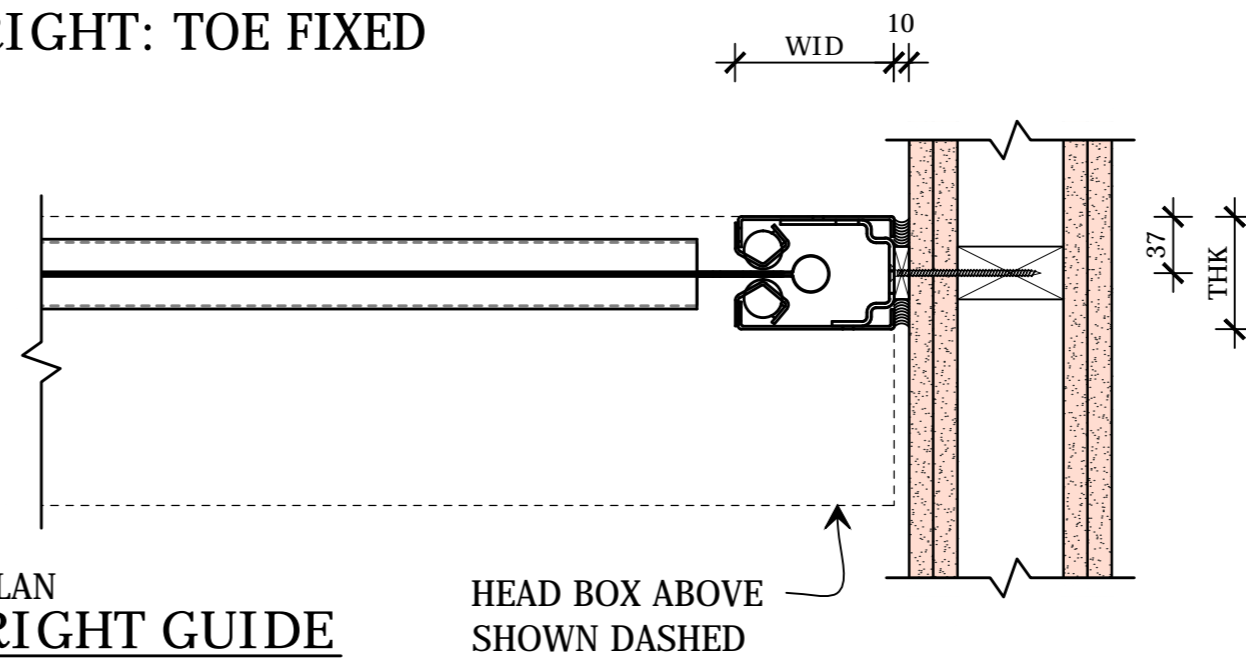
Rev	CHK	REASON	DATE
-	BK	FOR INFORMATION	27/01/2017

LEFT: TOE FIXED



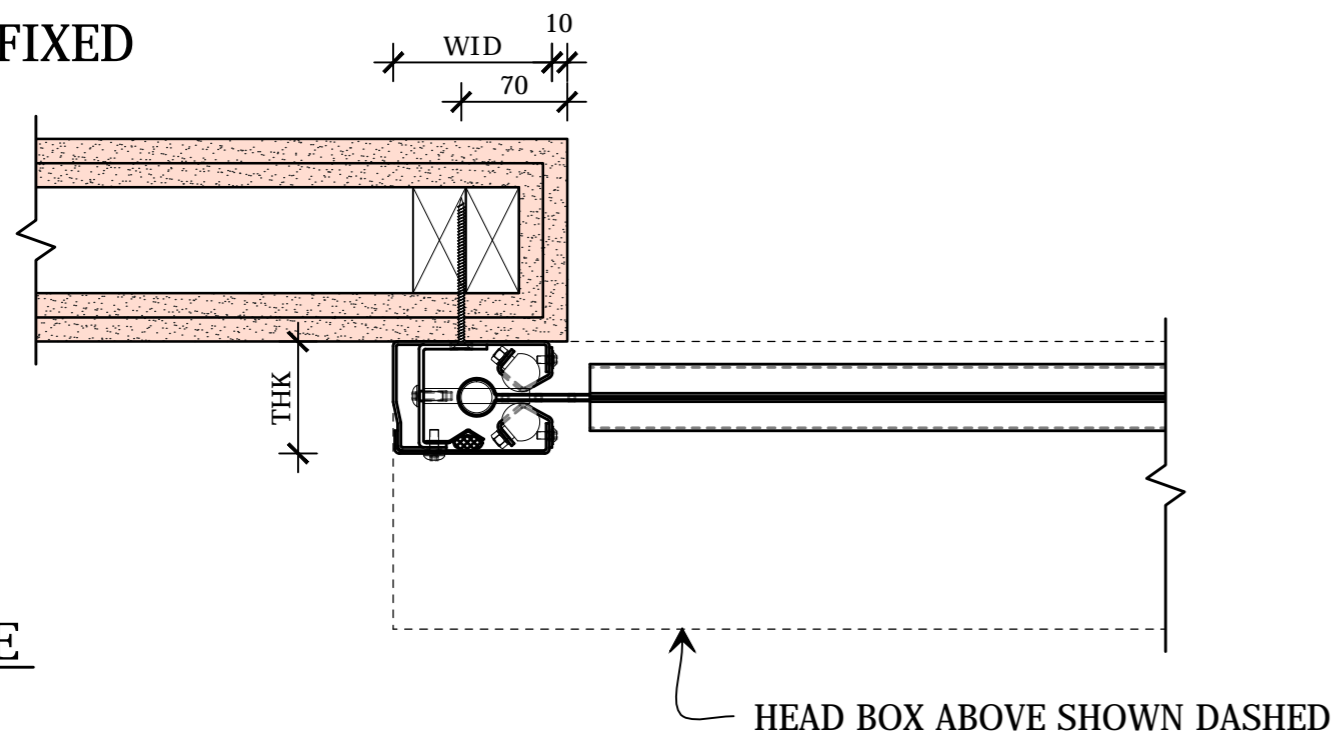
B PLAN LEFT GUIDE
SCALE 1:5 @ A2

RIGHT: TOE FIXED



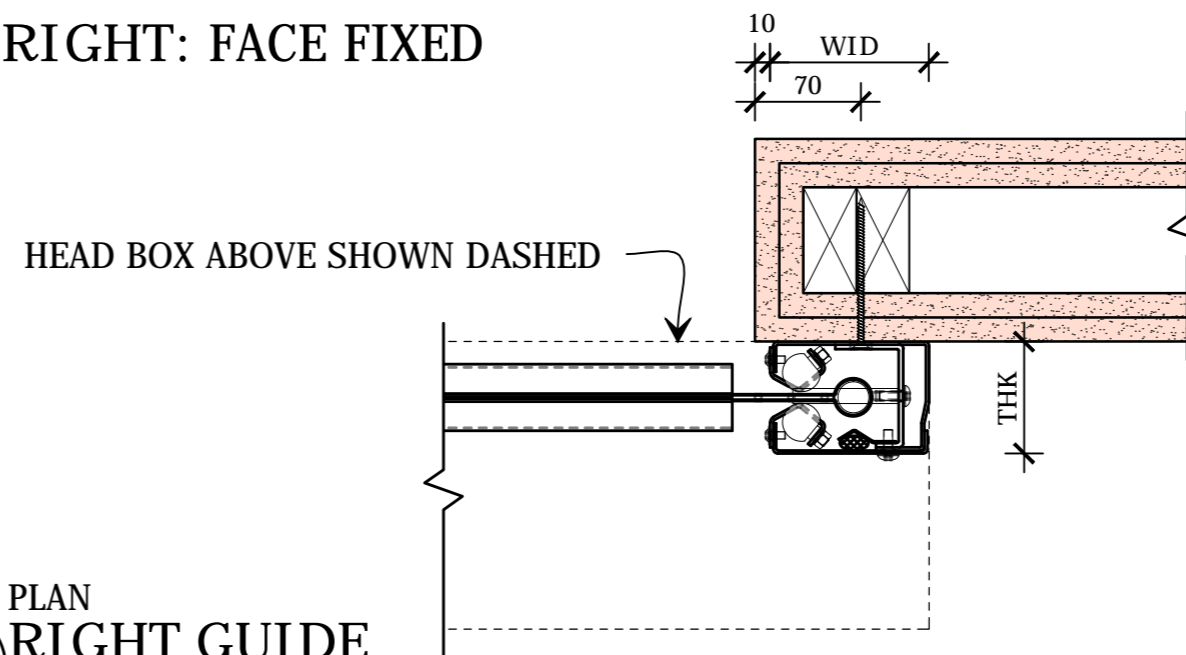
C PLAN RIGHT GUIDE
SCALE 1:5 @ A2

LEFT: FACE FIXED



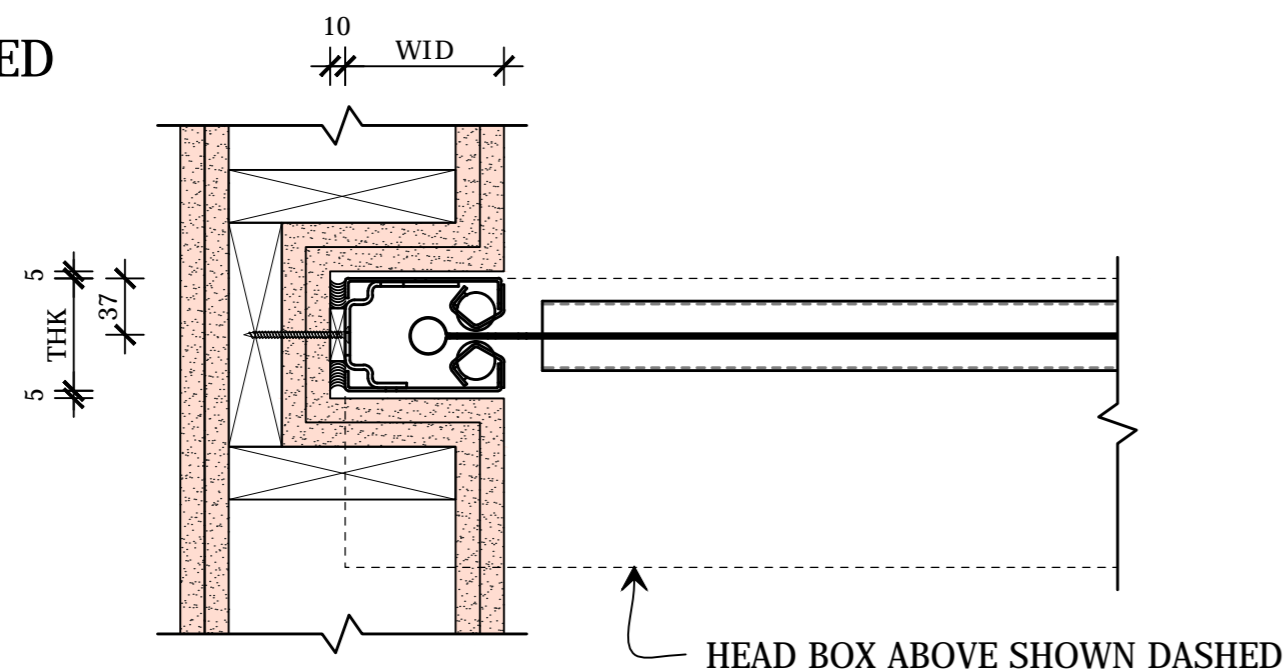
B PLAN LEFT GUIDE
SCALE 1:5 @ A2

RIGHT: FACE FIXED



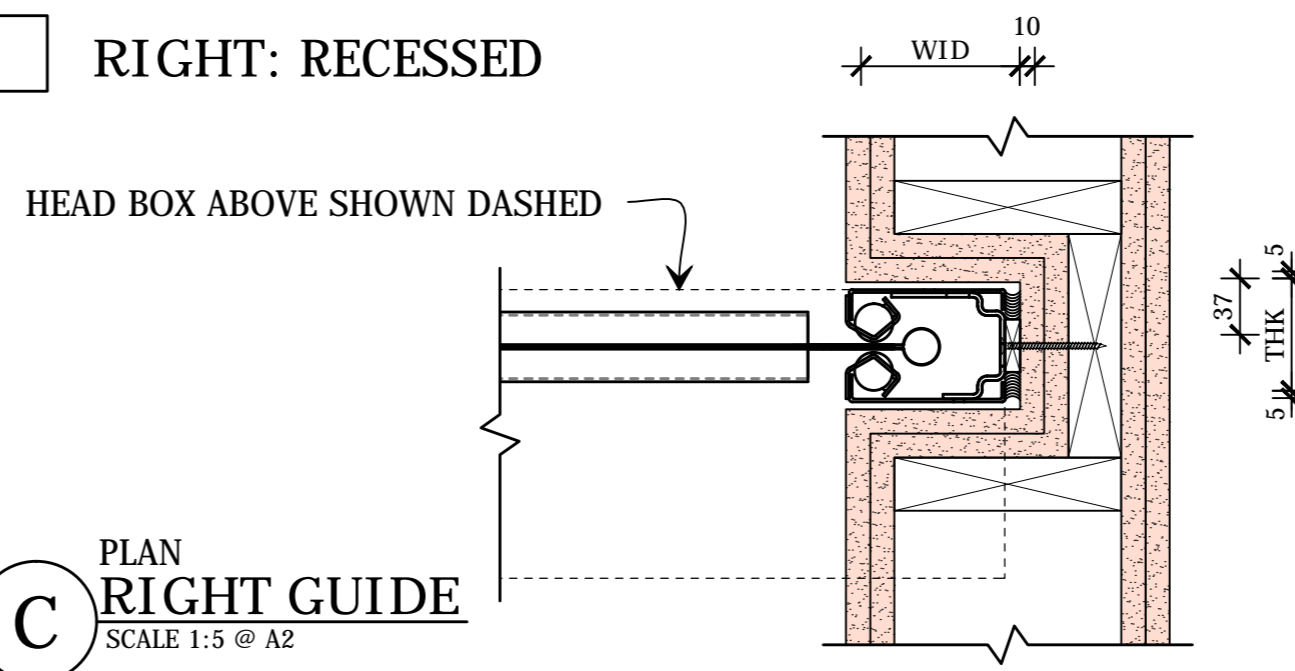
C PLAN RIGHT GUIDE
SCALE 1:5 @ A2

LEFT: RECESSED



B PLAN LEFT GUIDE
SCALE 1:5 @ A2

RIGHT: RECESSED



C PLAN RIGHT GUIDE
SCALE 1:5 @ A2

DISCLAIMER

INFORMATION GIVEN IN SMOKECONTROL.COM.AU AND PUBLICATIONS FOR DOWNLOAD ARE GIVEN TO THE BEST OF OUR KNOWLEDGE AND IN GOOD FAITH. SMOKE CONTROL IS NOT RESPONSIBLE IF RECIPIENTS OF TEST REPORTS, ASSESSMENTS OR LITERATURE MISINTERPRET THE CONTENTS AND WRONGLY USE PRODUCTS BASED ON THOSE MISINTERPRETATIONS. NO LIABILITY IS ACCEPTED FOR ERROR OMISSIONS IN THIS WEB SITE OR OUR DOCUMENTS. IN THE INTERESTS OF IMPROVEMENTS AND CONTINUED DEVELOPMENT SMOKE CONTROL RESERVES THE RIGHT TO CHANGE SPECIFICATION WITHOUT NOTICE.

INFORMATION COPY ONLY



WWW.SMOKECONTROL.COM.AU

NSW HEADOFFICE
PHONE: 1300 665 471
26 FERDELL ST,
(ENTER VIA STRAITS AVE)
SOUTH GRANVILLE NSW 2142

WESTERN AUSTRALIA:
AUSTRALIAN FIRE CONTROL
PHONE: 08 9399 6957
UNIT 2, 71-73 BRANT RD
KELMSCOTT WA 6997

VICTORIA OFFICE
PHONE: 0417 657 623
336 SETTLEMENT RD
THOMASTOWN VIC 3074

NEW ZEALAND
PHONE: 09 300 1980
LEVEL 4, 369 QUEEN ST
AUCKLAND NZ 1010

PROJECT
FSV
FIBERSHIELD V

CLIENT

TITLE
PLAN VIEW
SIDE GUIDE MOUNTING OPTIONS

SUB SET (CATEGORY)
OO - TEMPLATE

DRAWING NUMBER
FSV-0005

DRAWN BY
IGOR REBENKO

ISSUE STATUS:
INFORMATION

START DATE
27/01/2017

SCALE
AS SHOWN @A2

SIDE GUIDE SIZE			
DROP LENGTH	OPENING AREA	WID	THK
≤ 6,000	≤ 70m ²	105	74
≤ 9,000	≤ 120m ²	140	100

FILE: FSV.dwg -- PLOTTED ON 01/02/2017 BY IGOR REBENKO

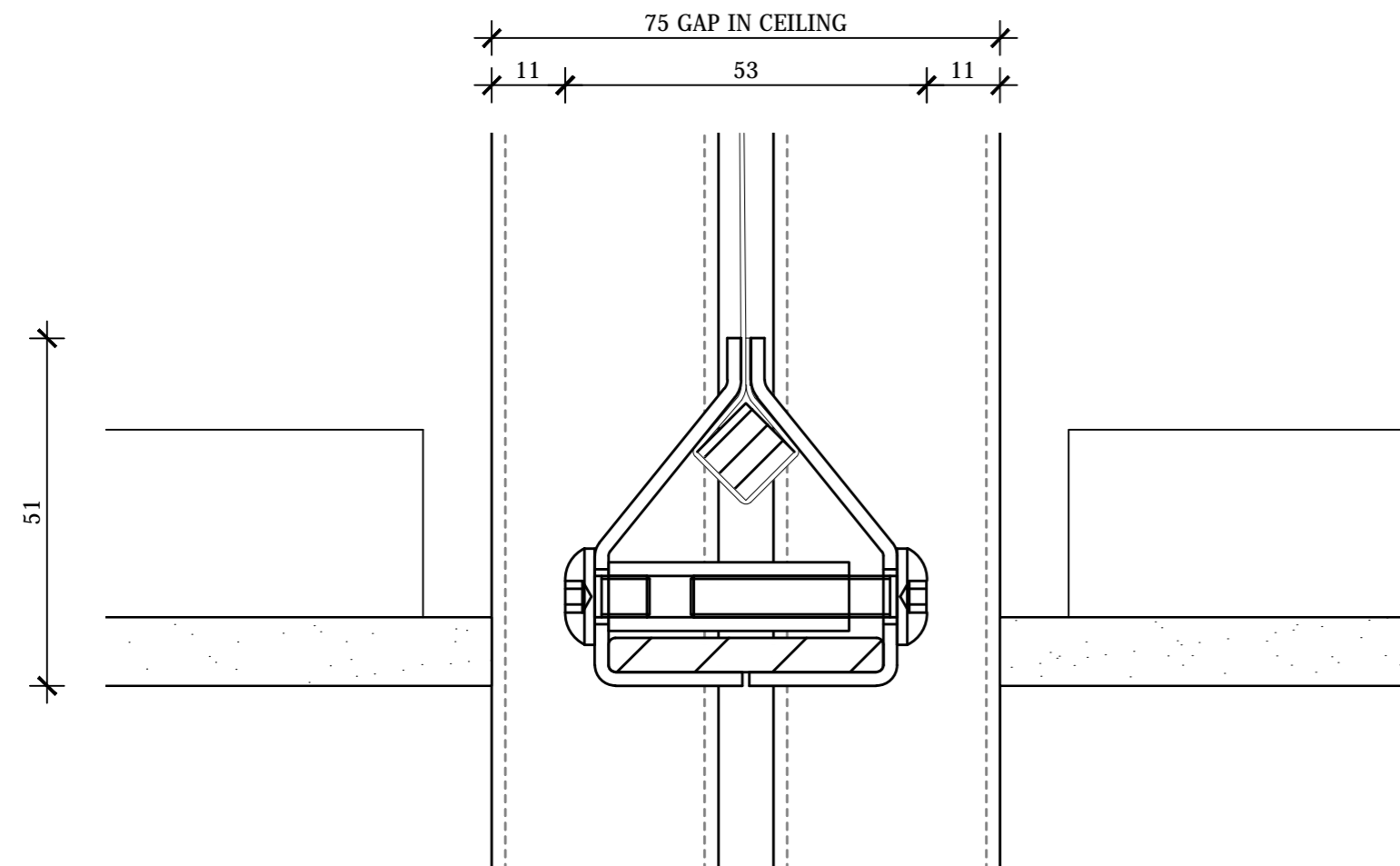
420mm

BOTTOM BAR OPTIONS:

THIS DRAWING IS COPYRIGHT AND THE PROPERTY OF THE AUTHOR, AND MUST NOT BE RETAINED, COPIED OR USED WITHOUT THE AUTHORITY OF SMOKE CONTROL SYSTEMS PTY. LTD.
 DO NOT SCALE FROM DRAWING. USE PROVIDED DIMENSIONS ONLY.
 ALL DISCREPANCIES MUST BE BROUGHT TO THE ATTENTION OF AUTHOR.
 SMOKE CONTROL SYSTEMS DO NOT TAKE RESPONSIBILITY OF MEASUREMENTS PROVIDED BY OTHERS.

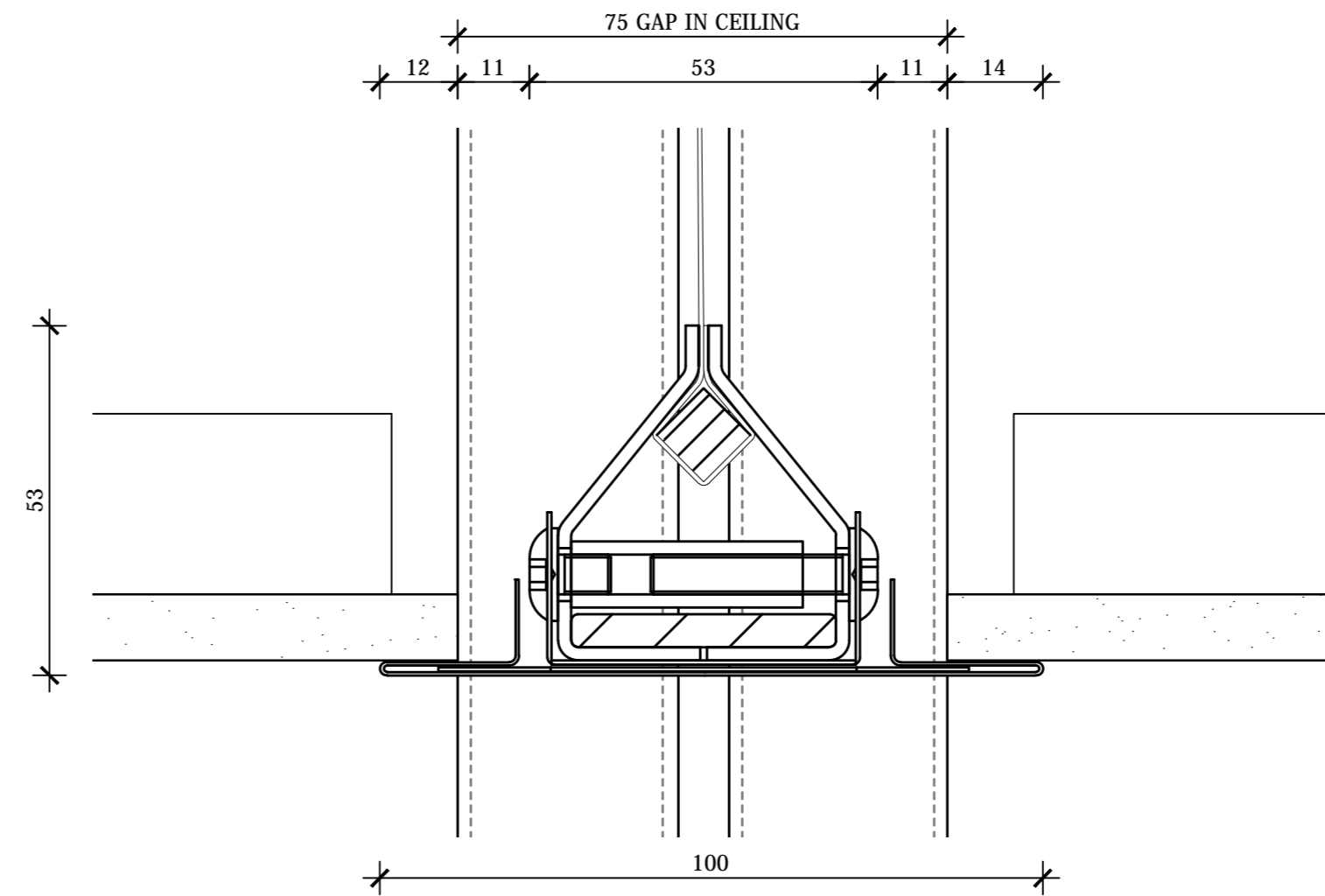
Rev	CHK	REASON	DATE
-	BK	FOR INFORMATION	27/01/2017

STANDARD BOTTOM BAR



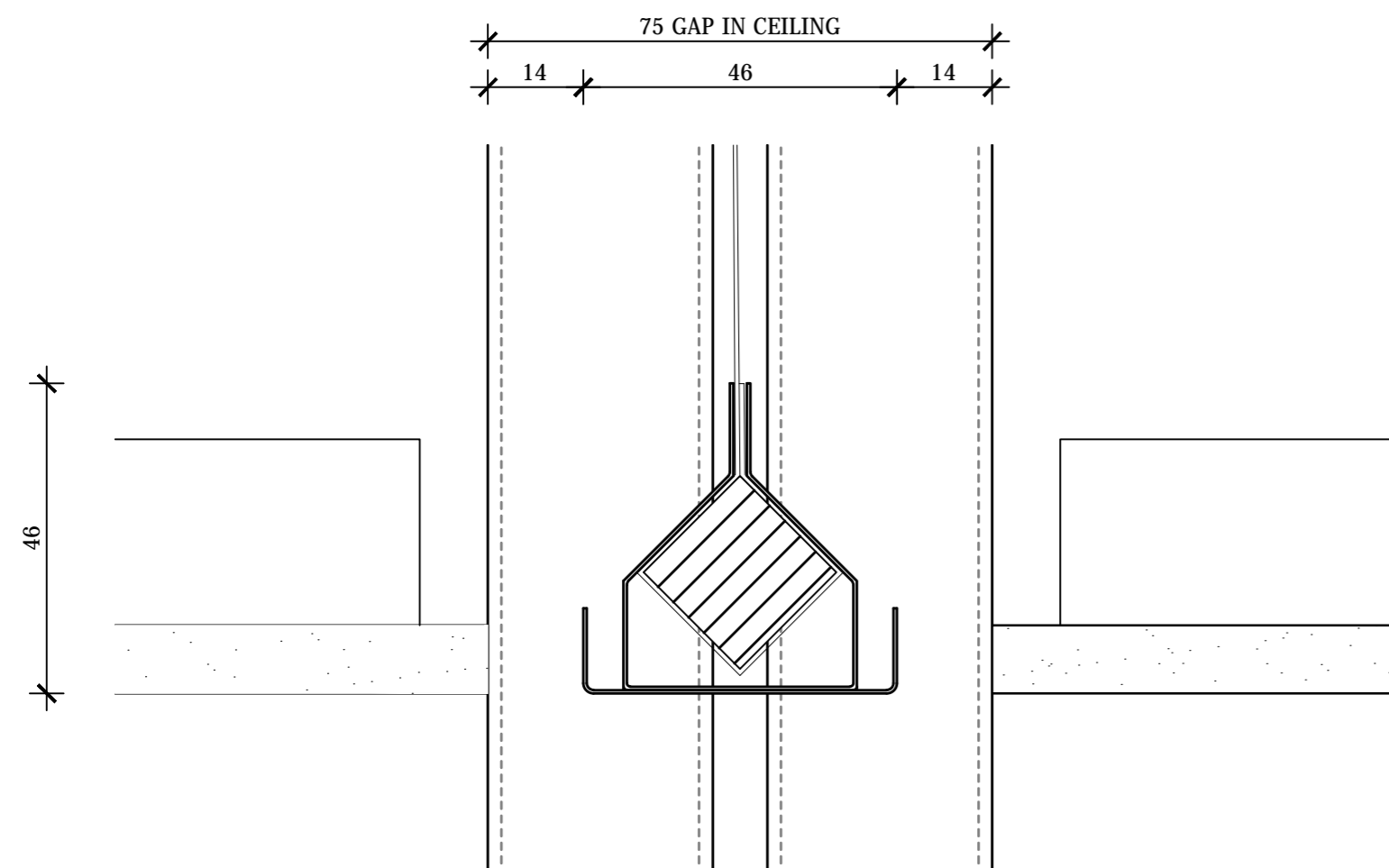
D ELEVATION SECTION
BOTTOM BAR
 SCALE 1:1 @ A2

SELF LEVELLING BOTTOM BAR FULLY CONCEALED



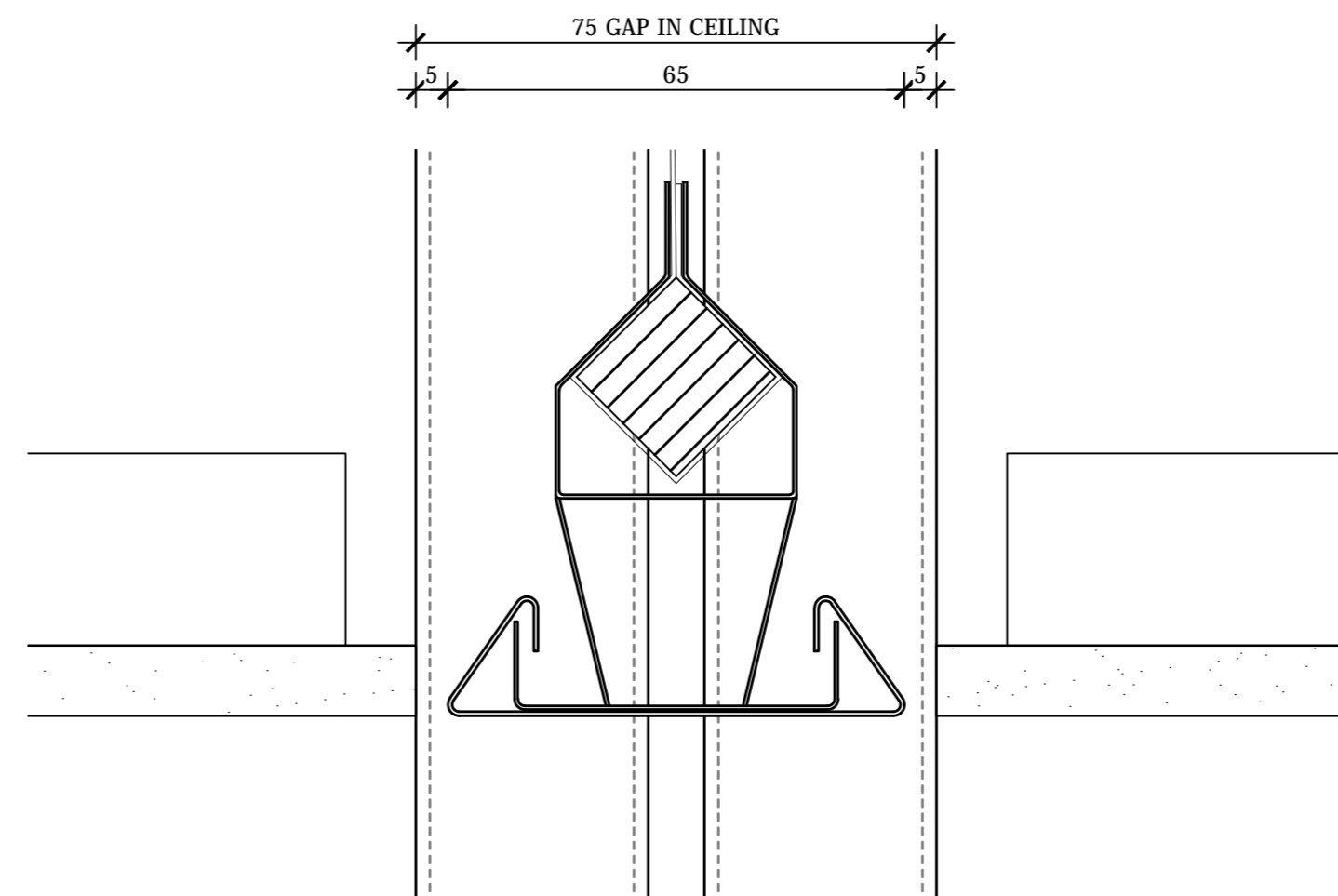
D ELEVATION SECTION
BOTTOM BAR
 SCALE 1:1 @ A2

HEAVY BOTTOM BAR FOR DROP LENGTHS OVER 6m



D ELEVATION SECTION
BOTTOM BAR
 SCALE 1:1 @ A2

HEAVY SELF LEVELLING BOTTOM BAR FOR DROP LENGTHS OVER 6m



D ELEVATION SECTION
BOTTOM BAR
 SCALE 1:1 @ A2

DISCLAIMER

INFORMATION GIVEN IN SMOKECONTROL.COM.AU AND PUBLICATIONS FOR DOWNLOAD ARE GIVEN TO THE BEST OF OUR KNOWLEDGE AND IN GOOD FAITH. SMOKE CONTROL IS NOT RESPONSIBLE IF RECIPIENTS OF TEST REPORTS, ASSESSMENTS OR LITERATURE MISINTERPRET THE CONTENTS AND WRONGLY USE PRODUCTS BASED ON THOSE MISINTERPRETATIONS. NO LIABILITY IS ACCEPTED FOR ERROR OMISSIONS IN THIS WEB SITE OR OUR DOCUMENTS. IN THE INTERESTS OF IMPROVEMENTS AND CONTINUED DEVELOPMENT SMOKE CONTROL RESERVES THE RIGHT TO CHANGE SPECIFICATION WITHOUT NOTICE.

INFORMATION COPY ONLY



WWW.SMOKECONTROL.COM.AU

NSW HEADOFFICE
 PHONE: 1300 665 471
 26 FERDELL ST,
 (ENTER VIA STRAITS AVE)
 SOUTH GRANVILLE NSW 2142

WESTERN AUSTRALIA:
 AUSTRALIAN FIRE CONTROL
 PHONE: 08 9399 6957
 UNIT 2, 71-73 BRANT RD
 KELMSCOTT WA 6997

VICTORIA OFFICE
 PHONE: 0417 657 623
 336 SETTLEMENT RD
 THOMASTOWN VIC 3074

NEW ZEALAND
 PHONE: 09 300 1980
 LEVEL 4, 369 QUEEN ST
 AUCKLAND NZ 1010

PROJECT
**FSV
 FIBERSHIELD V**

CLIENT

TITLE
BOTTOM BAR OPTIONS

SUB SET (CATEGORY)
OO - TEMPLATE

DRAWING NUMBER
FSV-0006

DRAWN BY
IGOR REBENKO

ISSUE STATUS:
INFORMATION

START DATE
27/01/2017

SCALE
AS SHOWN @A2

FILE: FSV.dwg -- PLOTTED ON 01/02/2017 BY IGOR REBENKO

420mm

IRS40 OBSTRUCTION SENSORS

PROTECT YOUR ASSET FROM DAMAGE CAUSED BY OBSTRUCTIONS AND ENSURE FULL DEPLOYMENT OF YOUR FIRE AND SMOKE CURTAIN SYSTEM AND THEREFORE FULL COMPLIANCE WITH THE FIRE ENGINEERS REPORT.

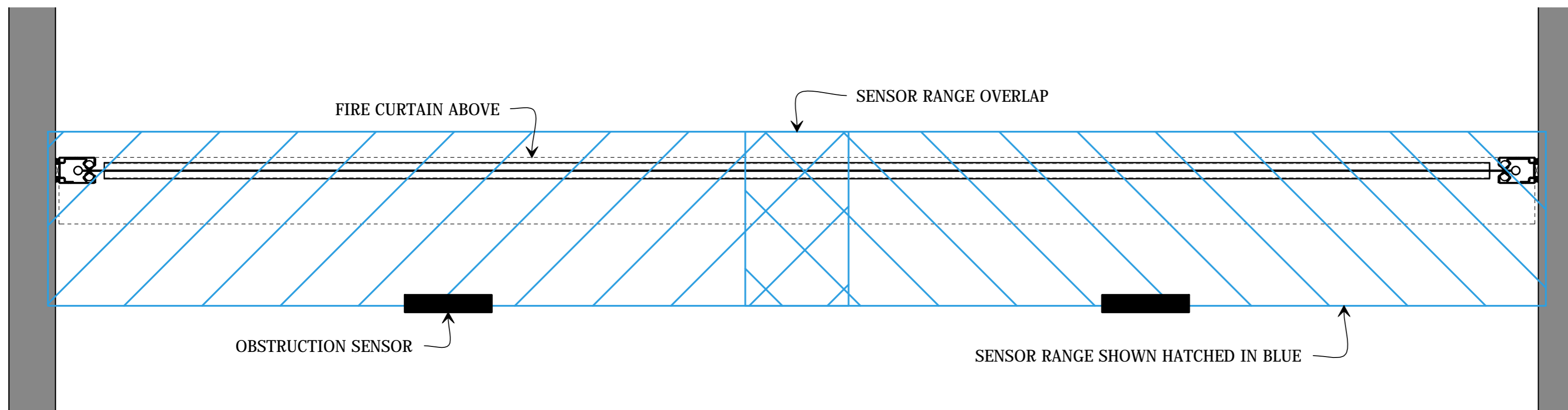
ELIMINATE THE REQUIREMENT FOR LINE MARKINGS AND MULTI-COLOURED EXCLUSION ZONES WHICH DETRACT FROM THE INTERIOR DESIGN! THE AUTOMATED IRS40 IS SUITABLE FOR USE ON ALL OF SMOKE CONTROL'S FIRE AND SMOKE CURTAIN SYSTEMS.

OTHER SENSOR SYSTEMS CAN REGISTER SMOKE AS AN OBSTRUCTION AND PREVENT DEPLOYMENT OF THE BARRIER WHEN IT IS ACTUALLY REQUIRED AND CONFLICT WITH THE INTENT OF THE ALTERNATIVE SOLUTION.

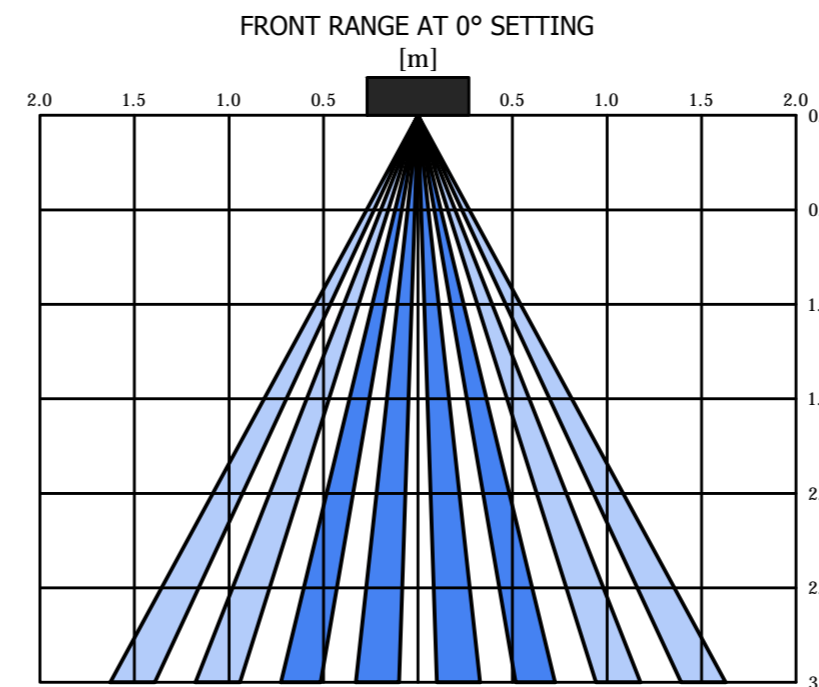
THE IRS40 SENSOR SYSTEM IS UNIQUE AND WILL NOT CAUSE THIS CONFLICT, ALLOWING THE BARRIER TO BOTH OPERATE AS INTENDED AND MAINTAIN COMPLIANCE WITH THE ALTERNATIVE SOLUTION AT ALL TIMES.

WHEN A SOLID OBSTRUCTION IS DETECTED UNDER THE DEPLOYMENT AREA OF THE BARRIER, THE SYSTEM WILL WAIT FOR A SPECIFIED TIME DELAY, THEN AN AUDIO-VISUAL SIGNAL WILL NOTIFY THE OCCUPANTS THAT THE OBSTRUCTION MUST BE REMOVED. THE SYSTEM AUTOMATICALLY RESETS ONCE THE OBSTRUCTION IS REMOVED FROM THE DEPLOYMENT AREA.

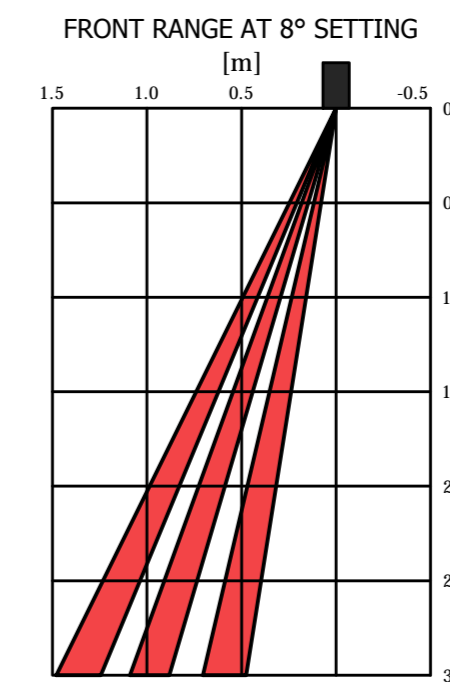
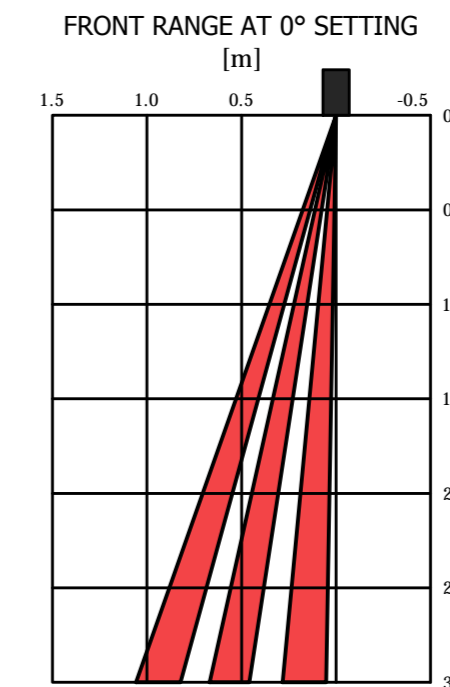
DIMENSIONS: 230mm (W), 70mm (H), 44mm (D)
IP RATING: IP54



1 REFLECTED PLAN
OBSTRUCTION SENSOR LAYOUT
SCALE 1:10 @ A2



GRAPHS SHOWN ARE APPROXIMATE RANGES



THIS DRAWING IS COPYRIGHT AND THE PROPERTY OF THE AUTHOR, AND MUST NOT BE RETAINED, COPIED OR USED WITHOUT THE AUTHORITY OF SMOKE CONTROL SYSTEMS PTY. LTD.
DO NOT SCALE FROM DRAWING. USE PROVIDED DIMENSIONS ONLY.
ALL DISCREPANCIES MUST BE BROUGHT TO THE ATTENTION OF AUTHOR.
SMOKE CONTROL SYSTEMS DO NOT TAKE RESPONSIBILITY OF MEASUREMENTS PROVIDED BY OTHERS.

Rev	CHK	REASON	DATE
-	BK	FOR INFORMATION	27/01/2017

DISCLAIMER

INFORMATION GIVEN IN SMOKECONTROL.COM.AU AND PUBLICATIONS FOR DOWNLOAD ARE GIVEN TO THE BEST OF OUR KNOWLEDGE AND IN GOOD FAITH. SMOKE CONTROL IS NOT RESPONSIBLE IF RECIPIENTS OF TEST REPORTS, ASSESSMENTS OR LITERATURE MISINTERPRET THE CONTENTS AND WRONGLY USE PRODUCTS BASED ON THOSE MISINTERPRETATIONS. NO LIABILITY IS ACCEPTED FOR ERROR OMISSIONS IN THIS WEB SITE OR OUR DOCUMENTS. IN THE INTERESTS OF IMPROVEMENTS AND CONTINUED DEVELOPMENT SMOKE CONTROL RESERVES THE RIGHT TO CHANGE SPECIFICATION WITHOUT NOTICE.

INFORMATION COPY ONLY



WWW.SMOKECONTROL.COM.AU

NSW HEADOFFICE
PHONE: 1300 665 471
26 FERDELL ST,
(ENTER VIA STRAITS AVE)
SOUTH GRANVILLE NSW 2142

WESTERN AUSTRALIA:
AUSTRALIAN FIRE CONTROL
PHONE: 08 9399 6957
UNIT 2, 71-73 BRANT RD
KELMSCOTT WA 6997

VICTORIA OFFICE
PHONE: 0417 657 623
336 SETTLEMENT RD
THOMASTOWN VIC 3074

NEW ZEALAND
PHONE: 09 300 1980
LEVEL 4, 369 QUEEN ST
AUCKLAND NZ 1010

PROJECT
FSV
FIBERSHIELD V

CLIENT

TITLE
OBSTRUCTION SENSORS

SUB SET (CATEGORY)
OO - TEMPLATE

DRAWING NUMBER
FSV-0007

DRAWN BY
IGOR REBENKO

ISSUE STATUS:
INFORMATION

START DATE
27/01/2017

SCALE
AS SHOWN @A2

FILE: FSV.dwg -- PLOTTED ON 01/02/2017 BY IGOR REBENKO

420mm

<<< 594mm